
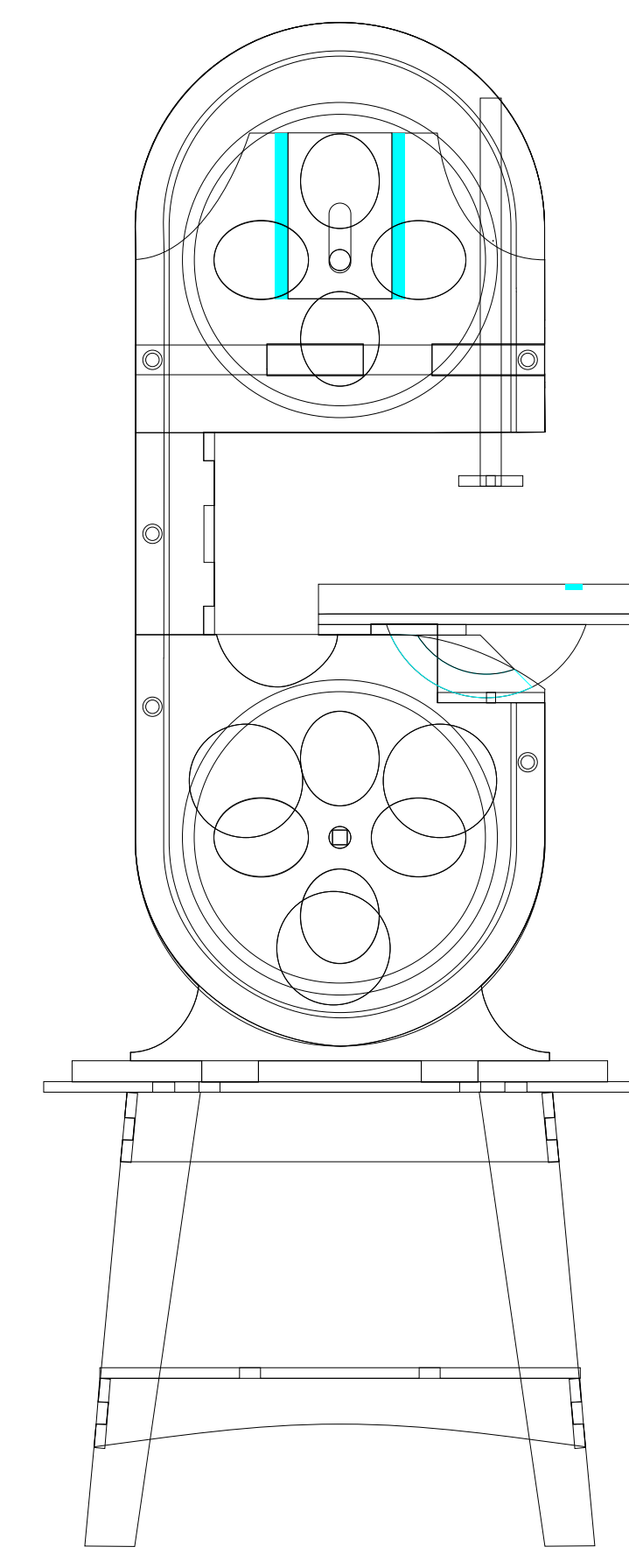
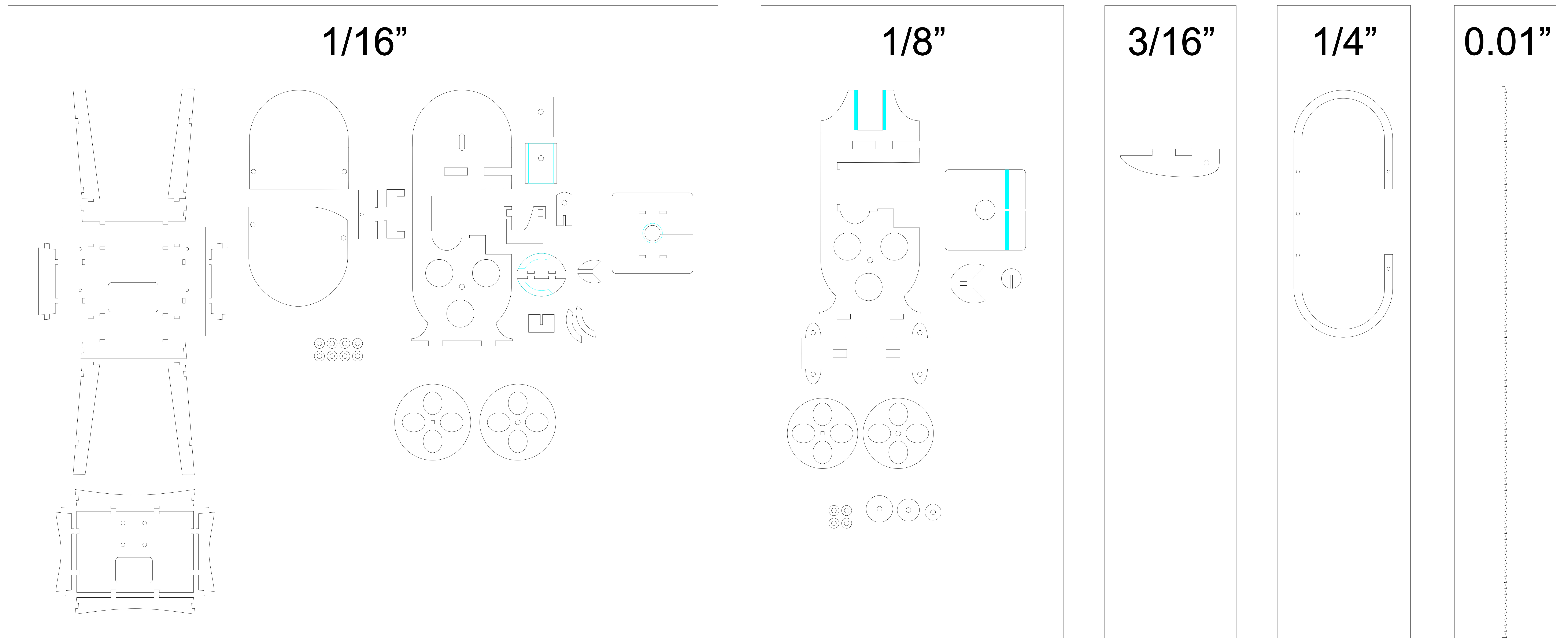
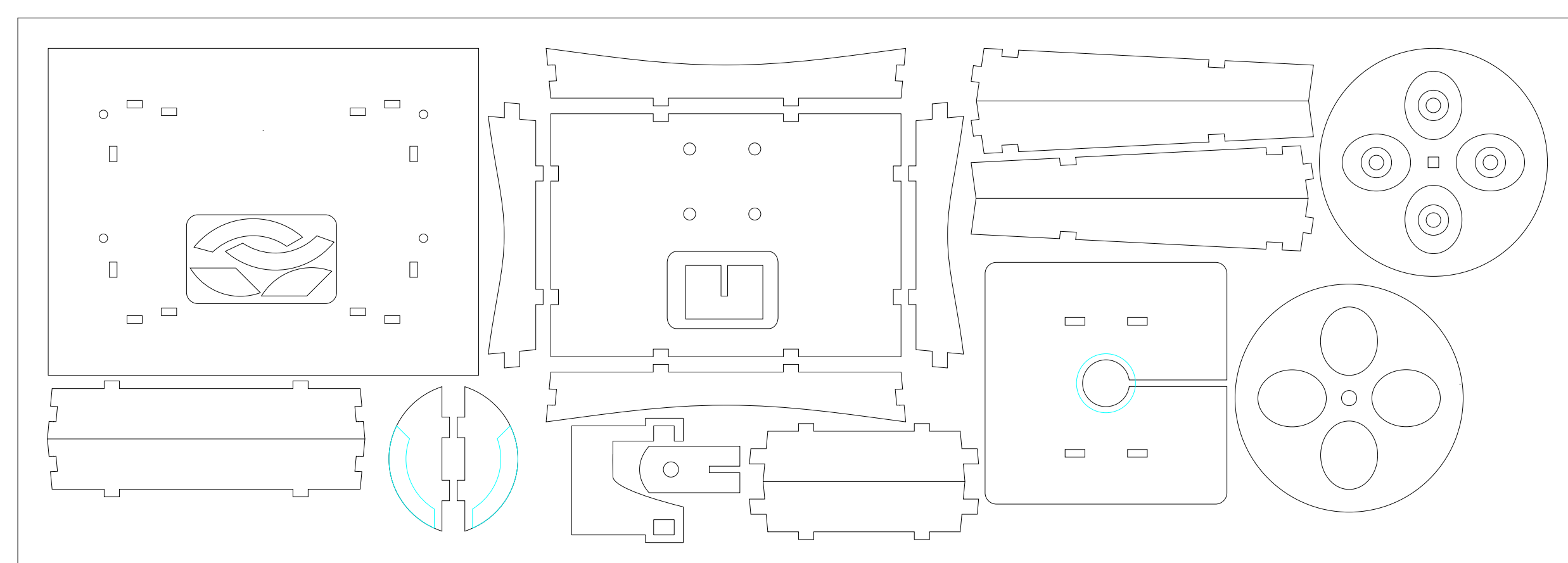
 : Laser-cut  
 : Laser-engage



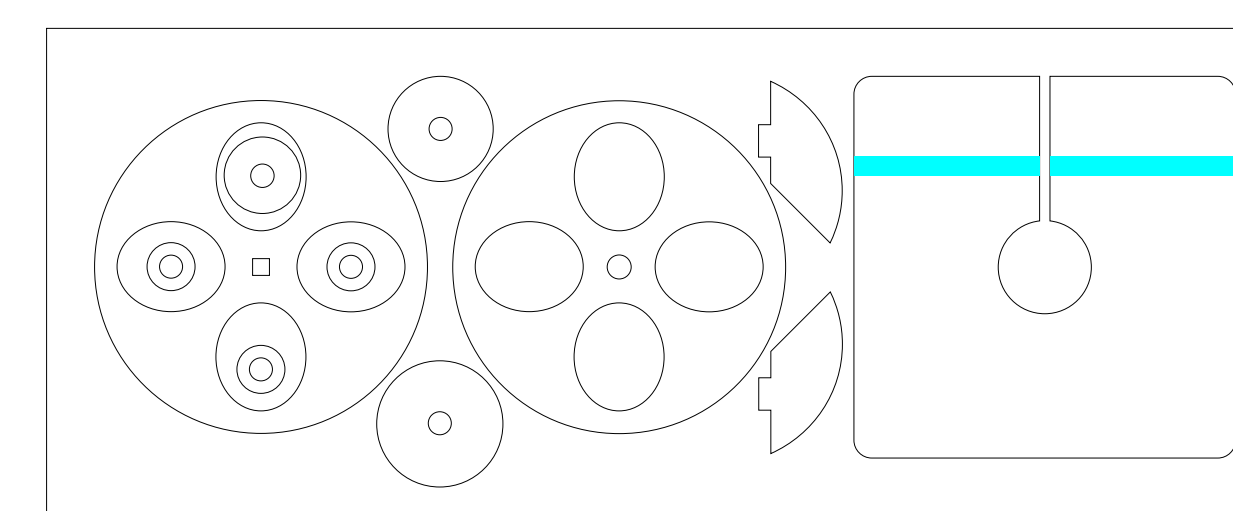
Material thickness:



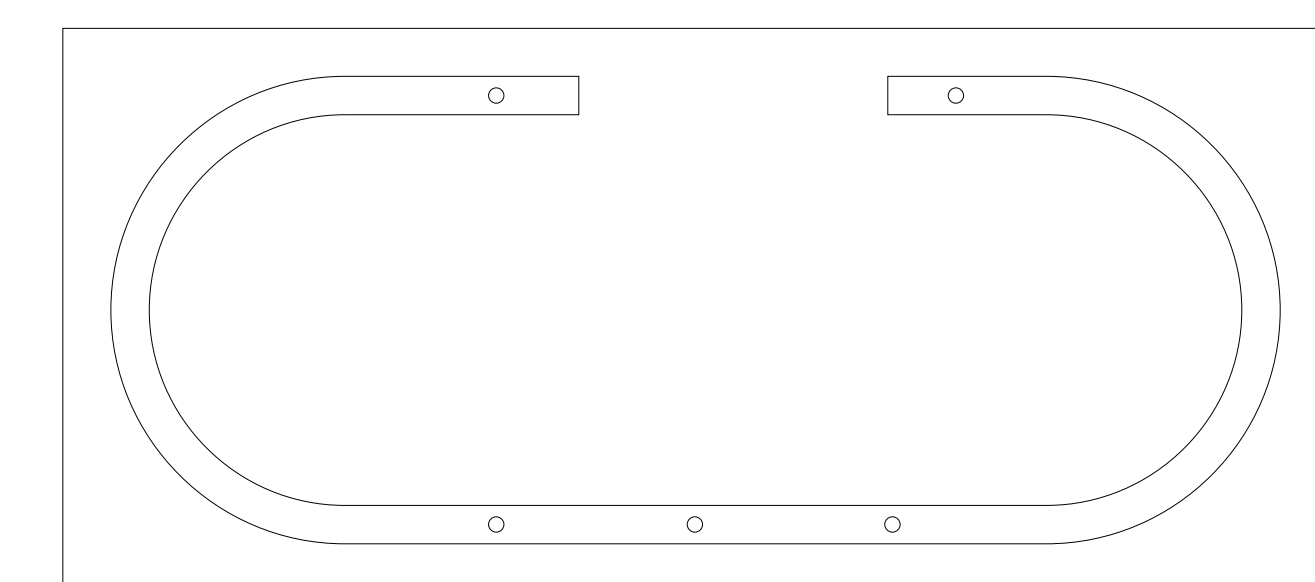
1/16" Black Acrylic



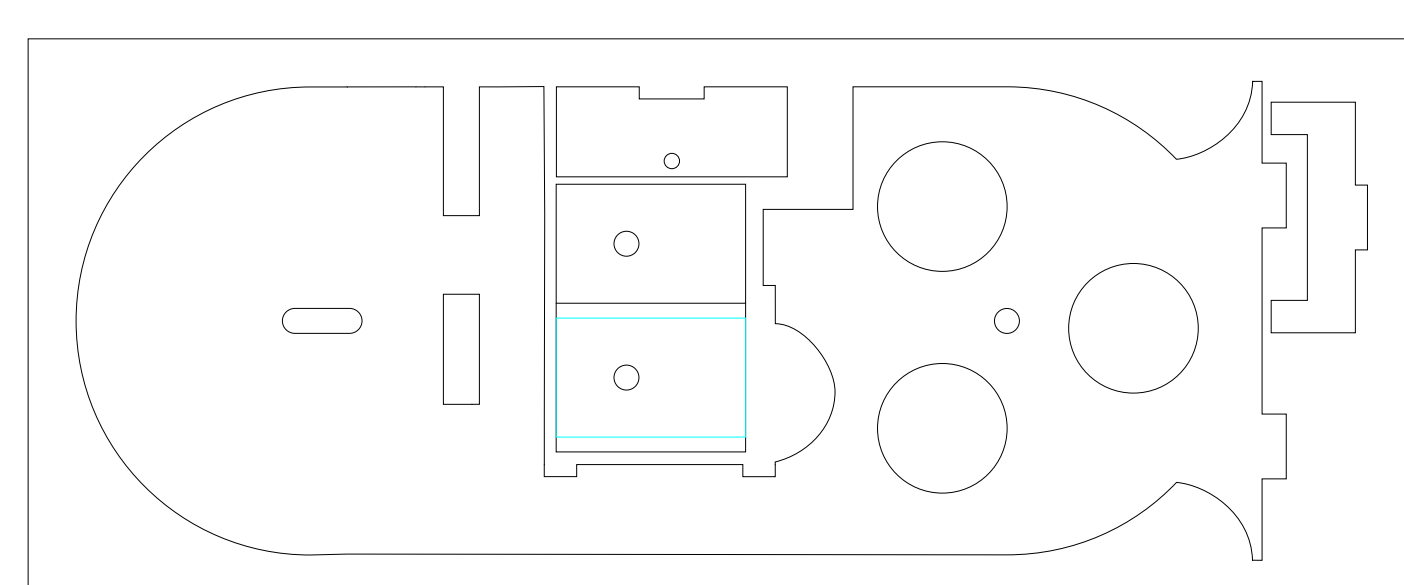
1/8" Black Acrylic



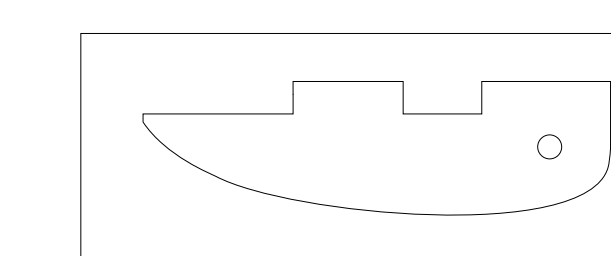
1/4" White Acrylic



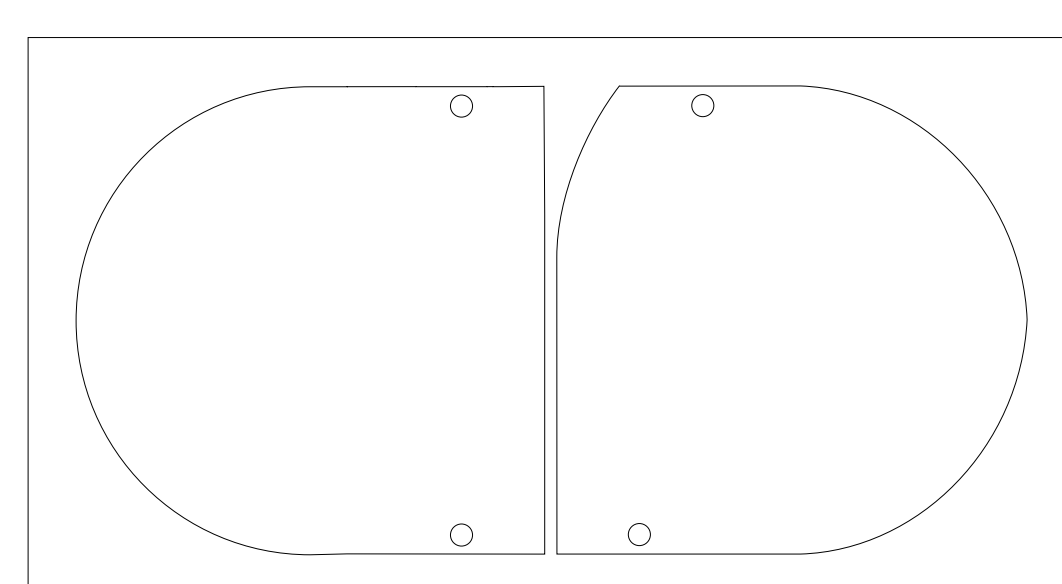
1/16" White Acrylic



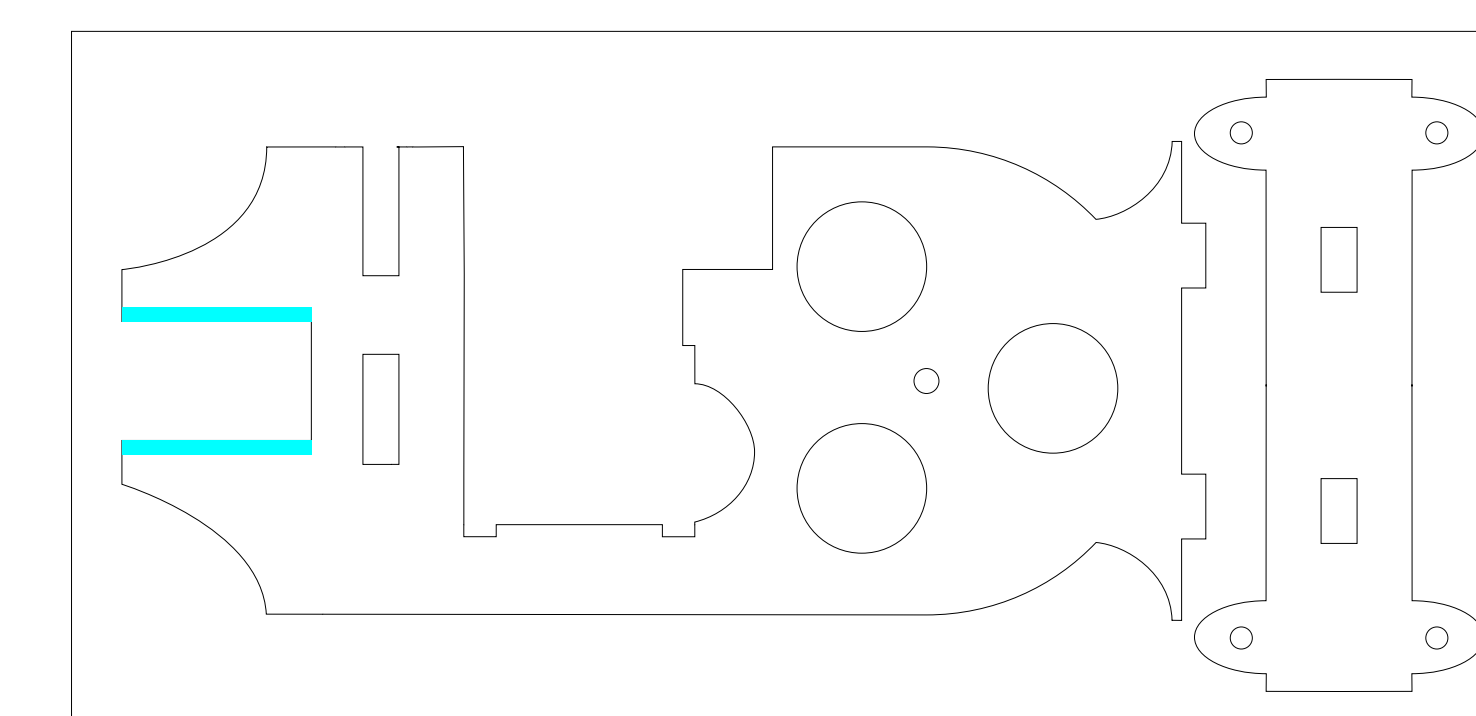
3/16" White Acrylic



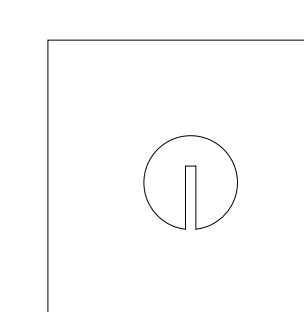
1/16" Clear Acrylic



1/8" White Acrylic



1/8" Red Acrylic



0.01 Clear Acetate

