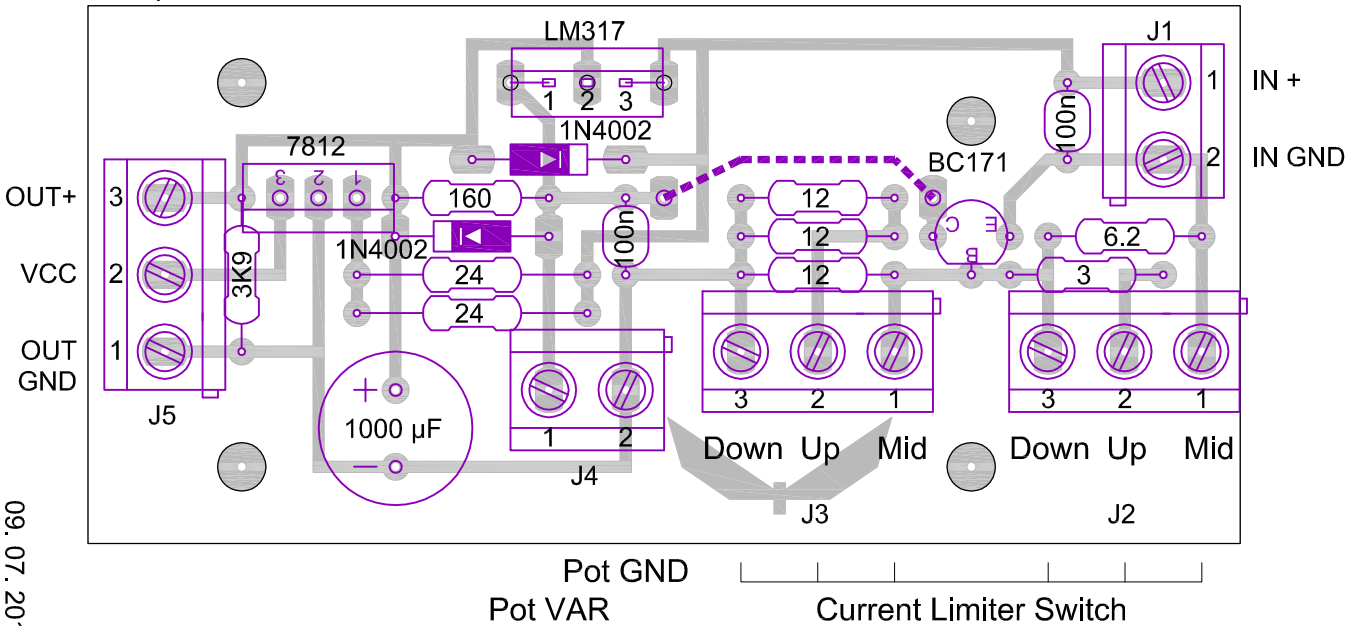


Components, Scale 2:1



Test Bench Power Supply with Current Limiter - PCB

09. 07. 2017