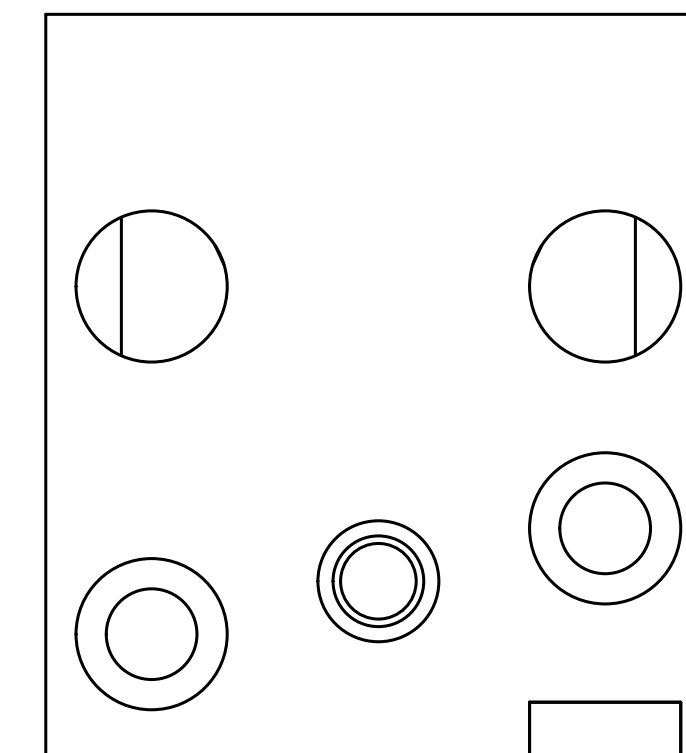
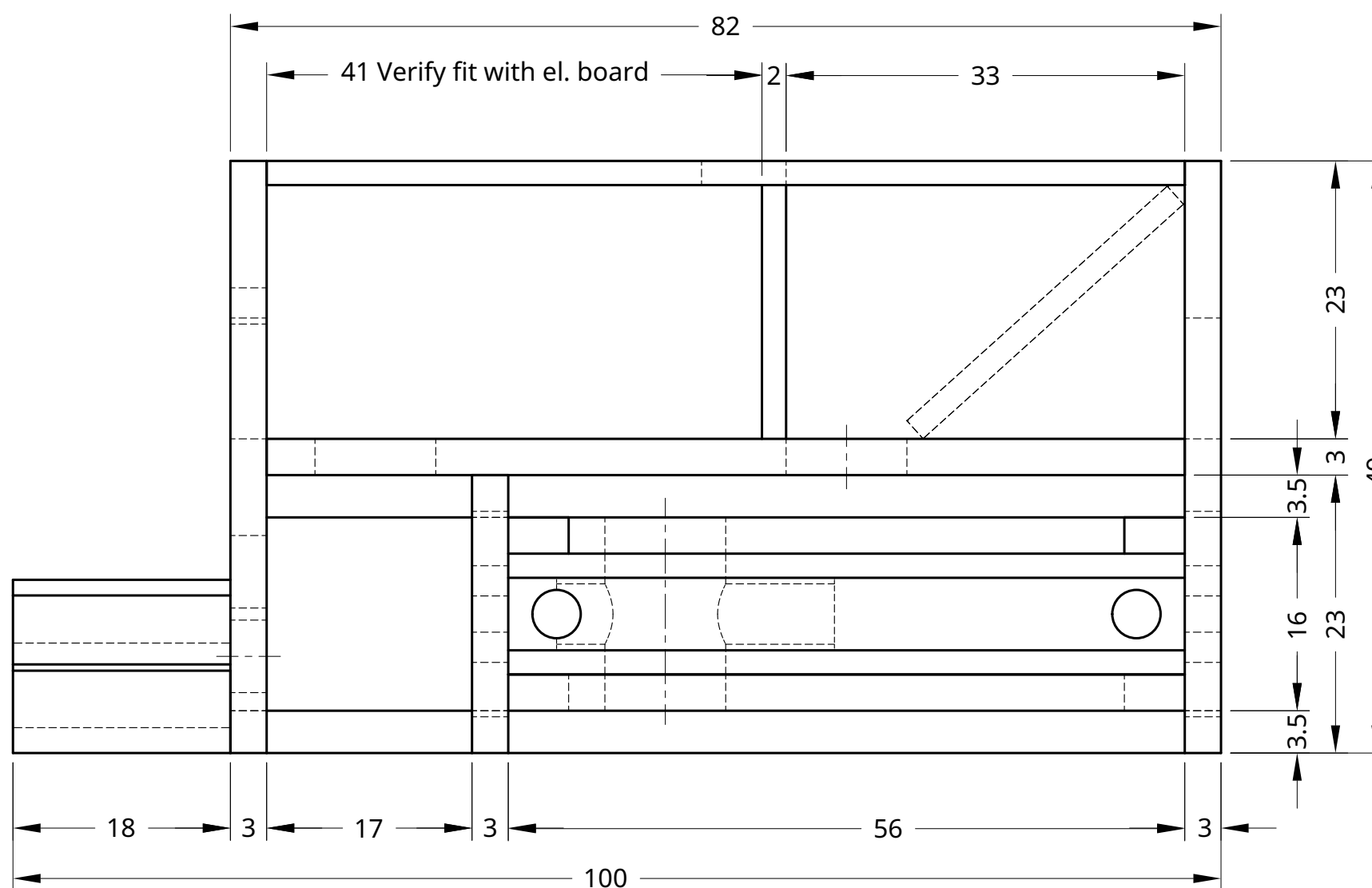
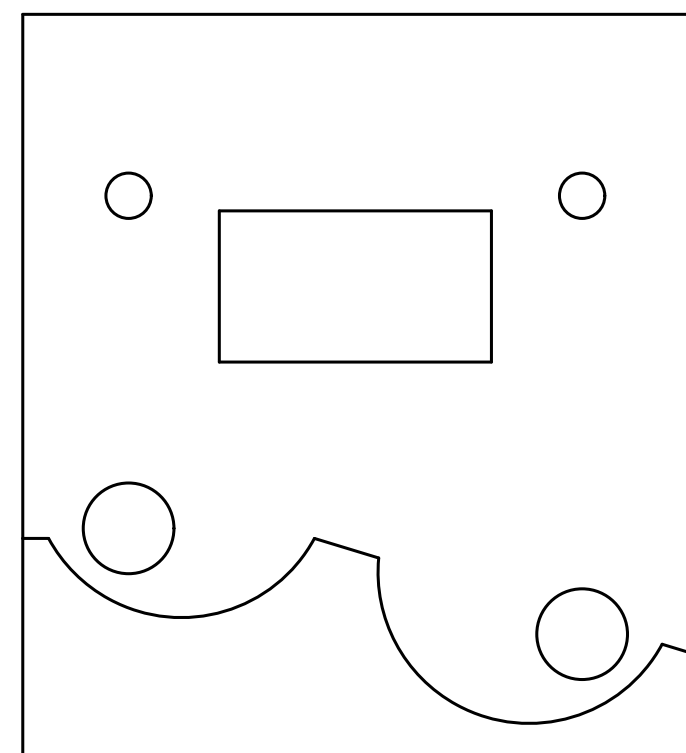
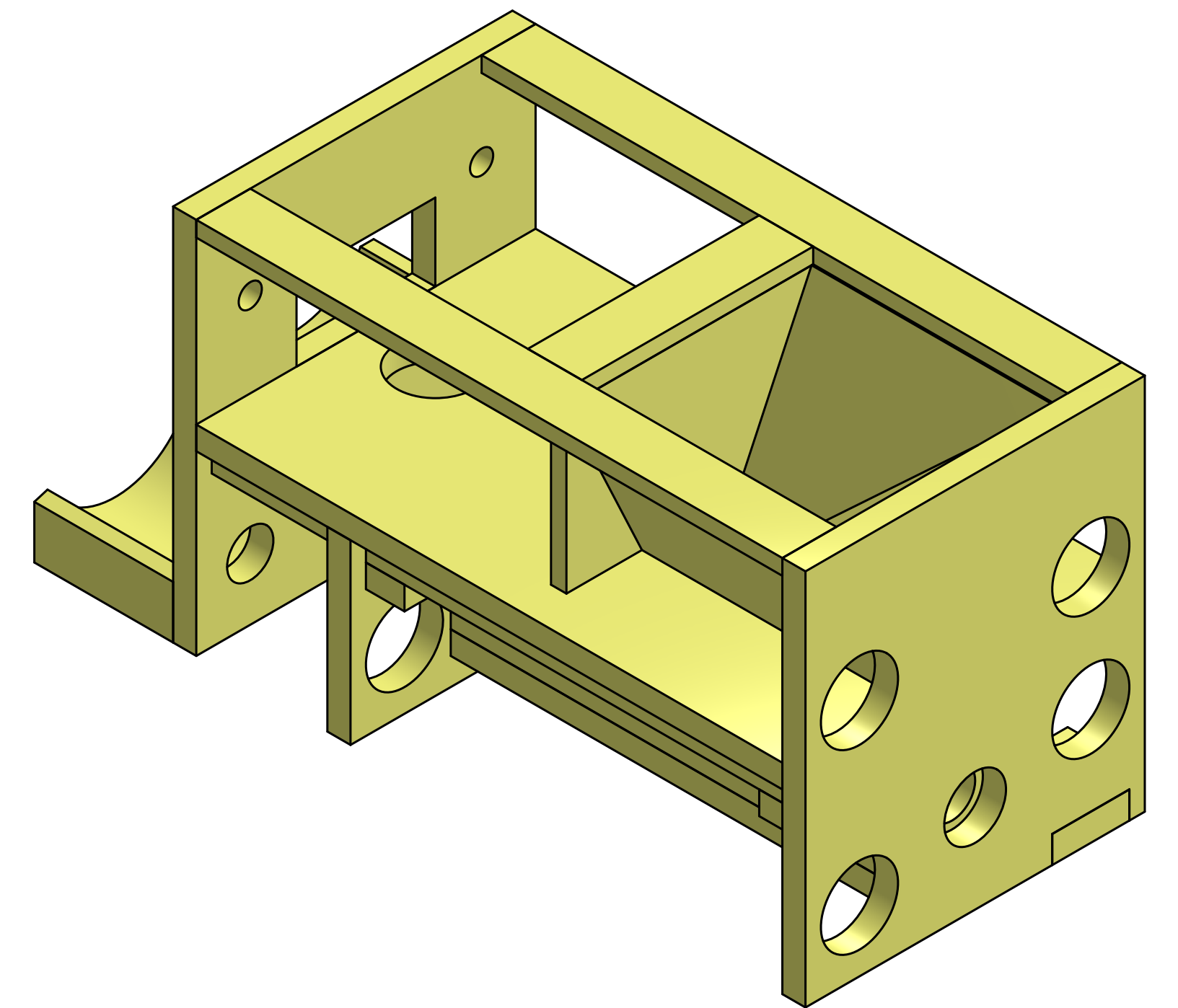
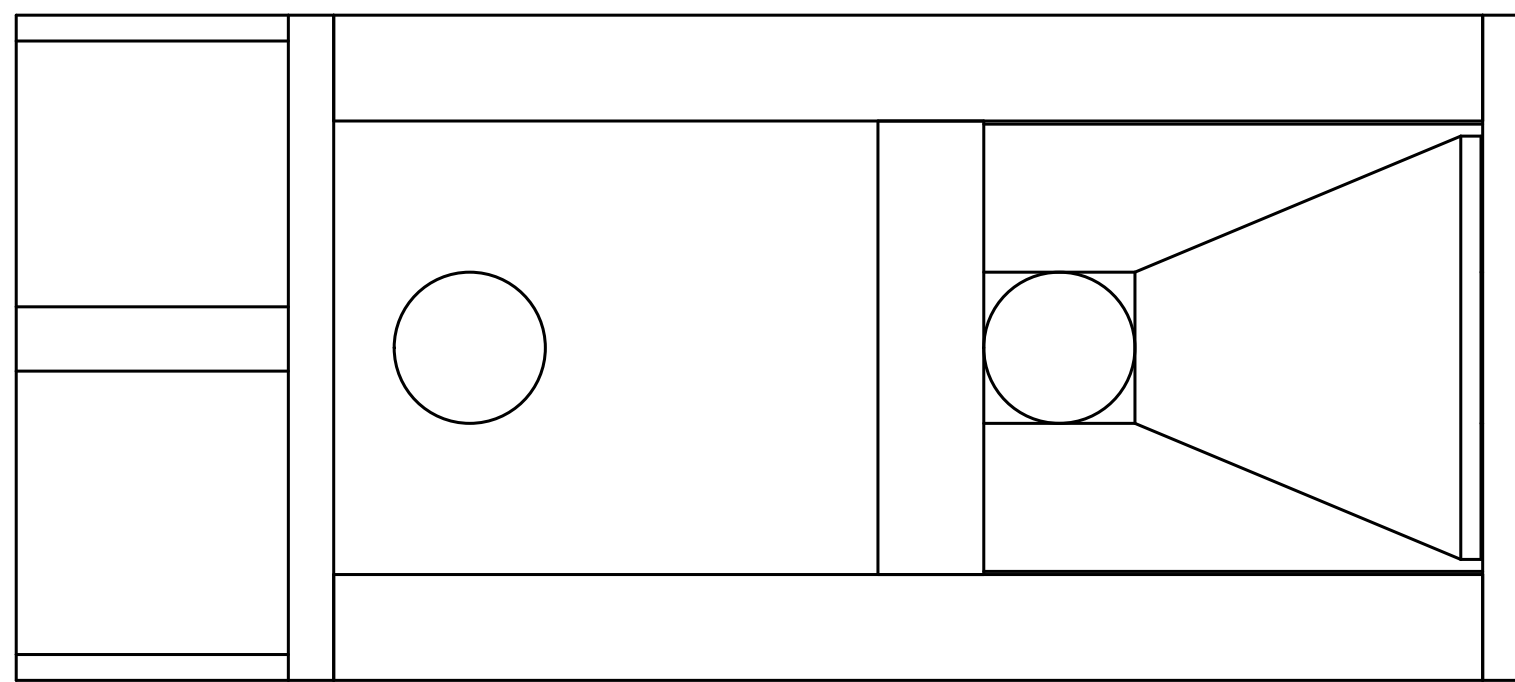
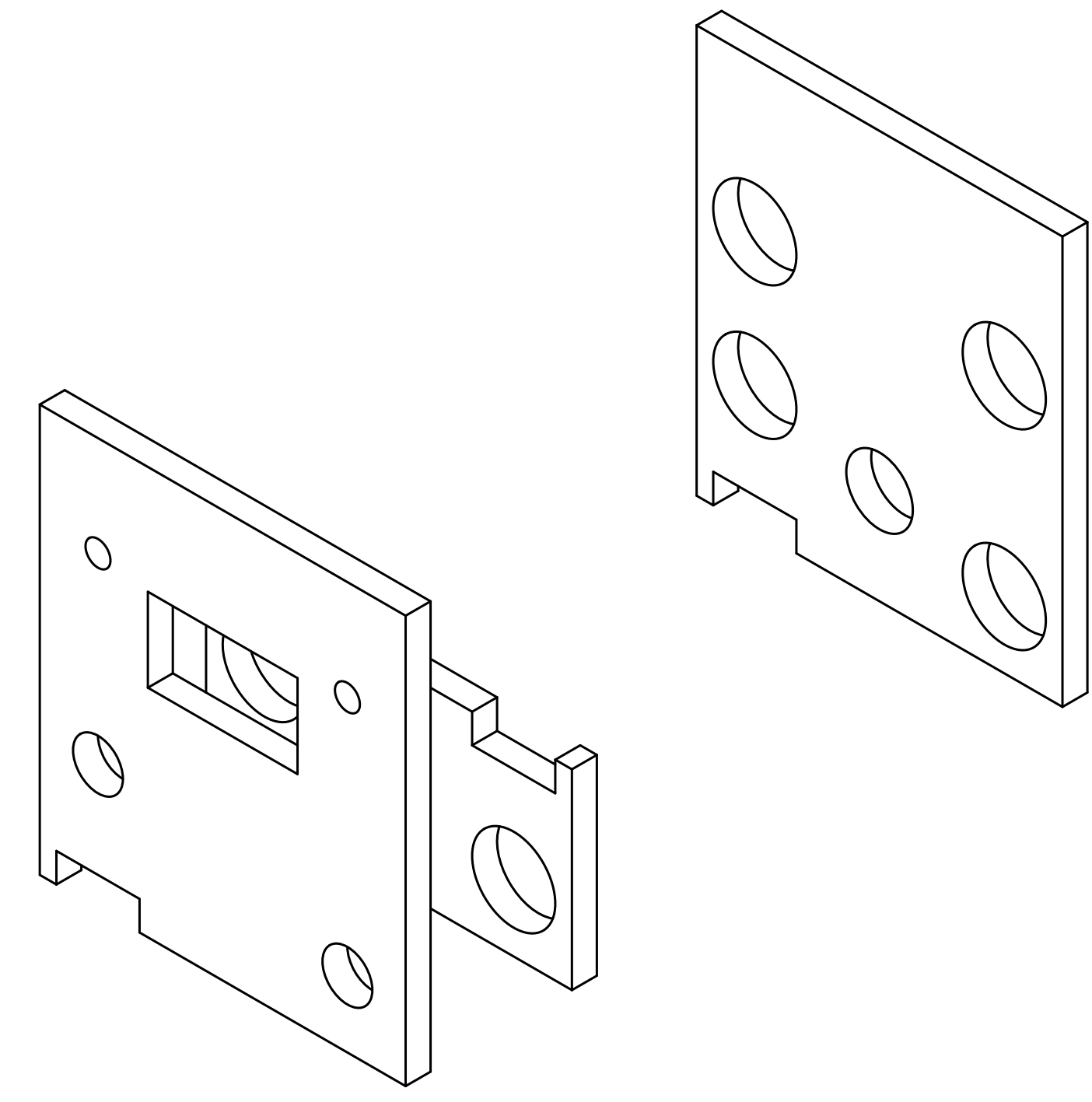
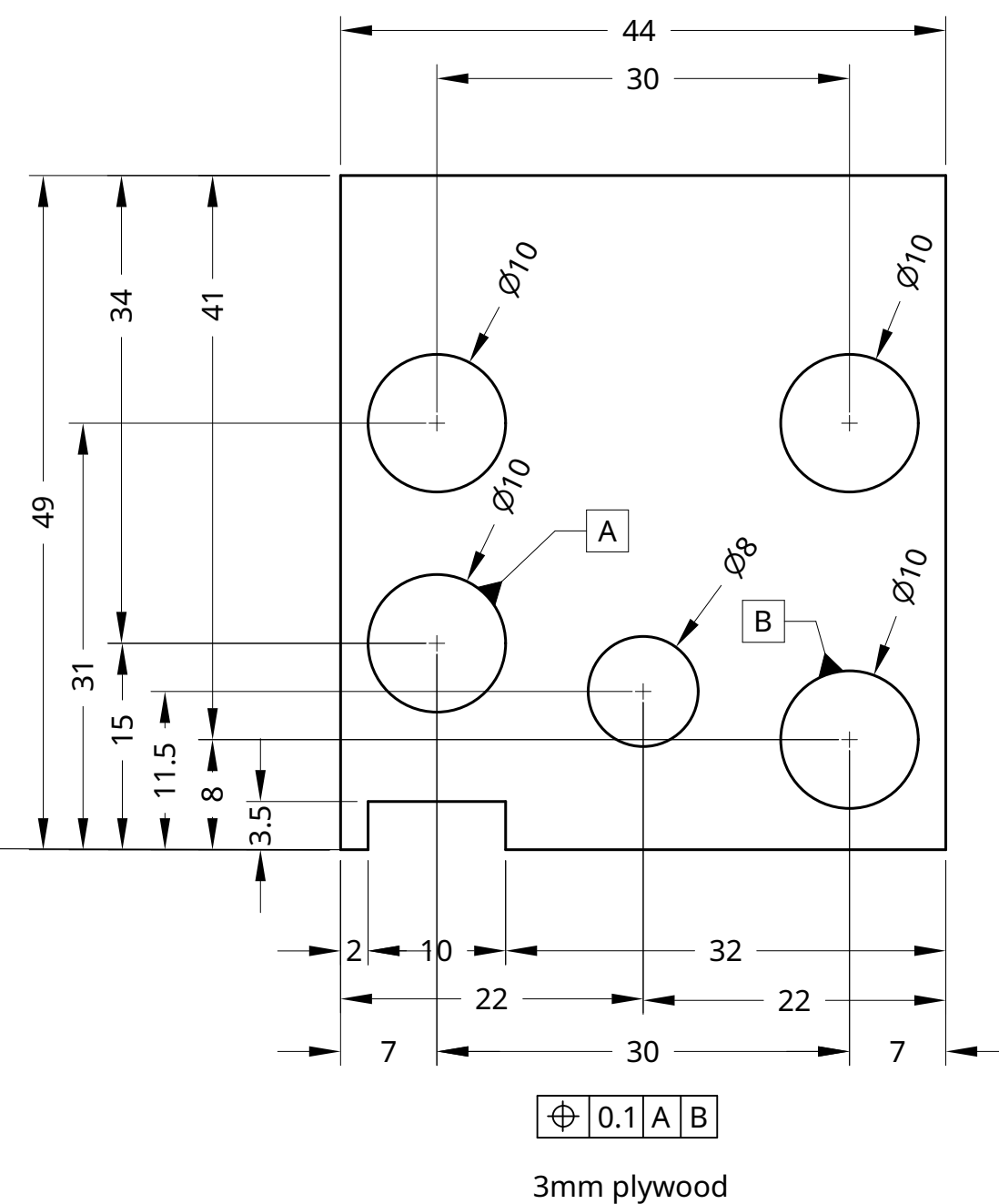
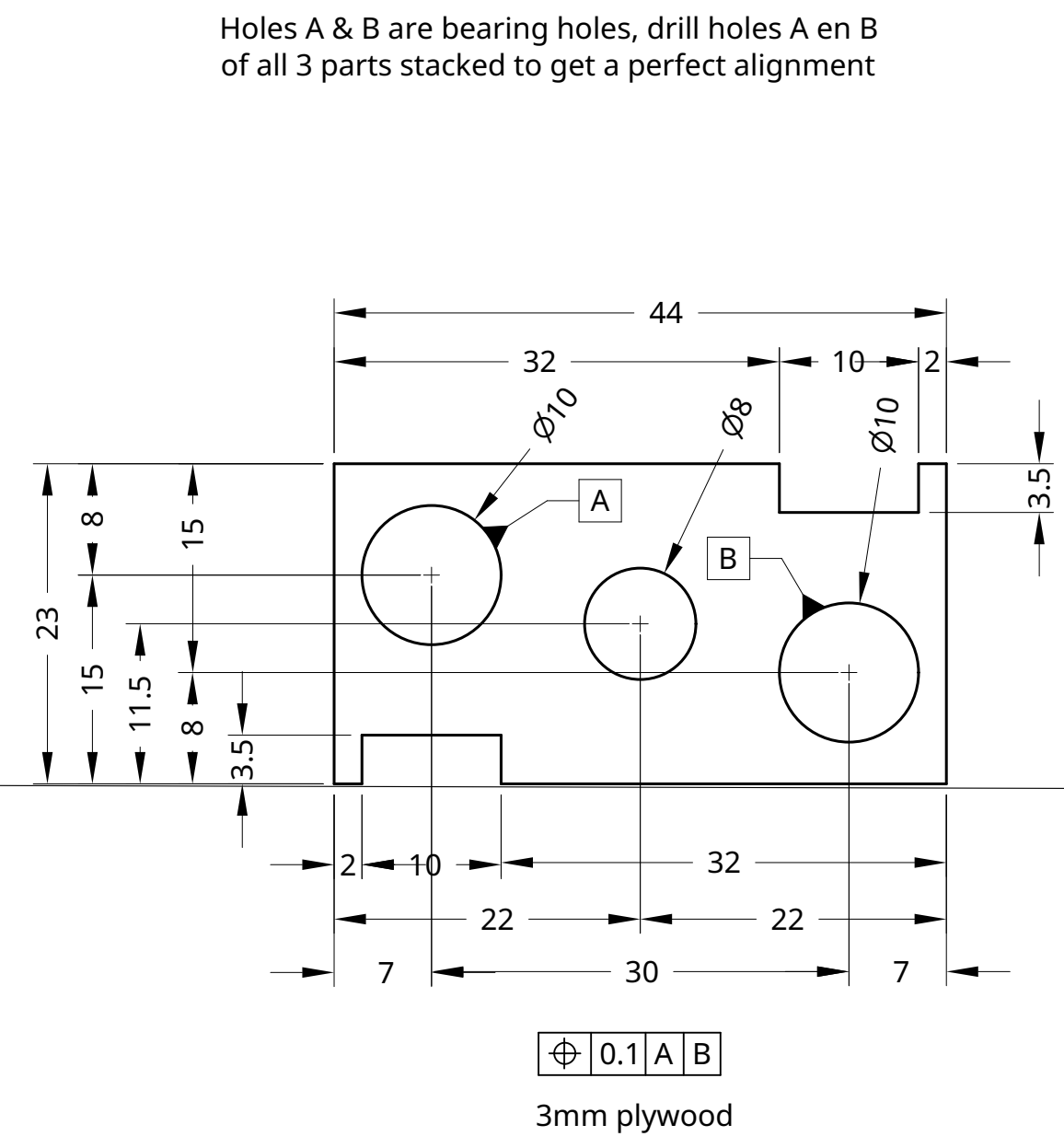
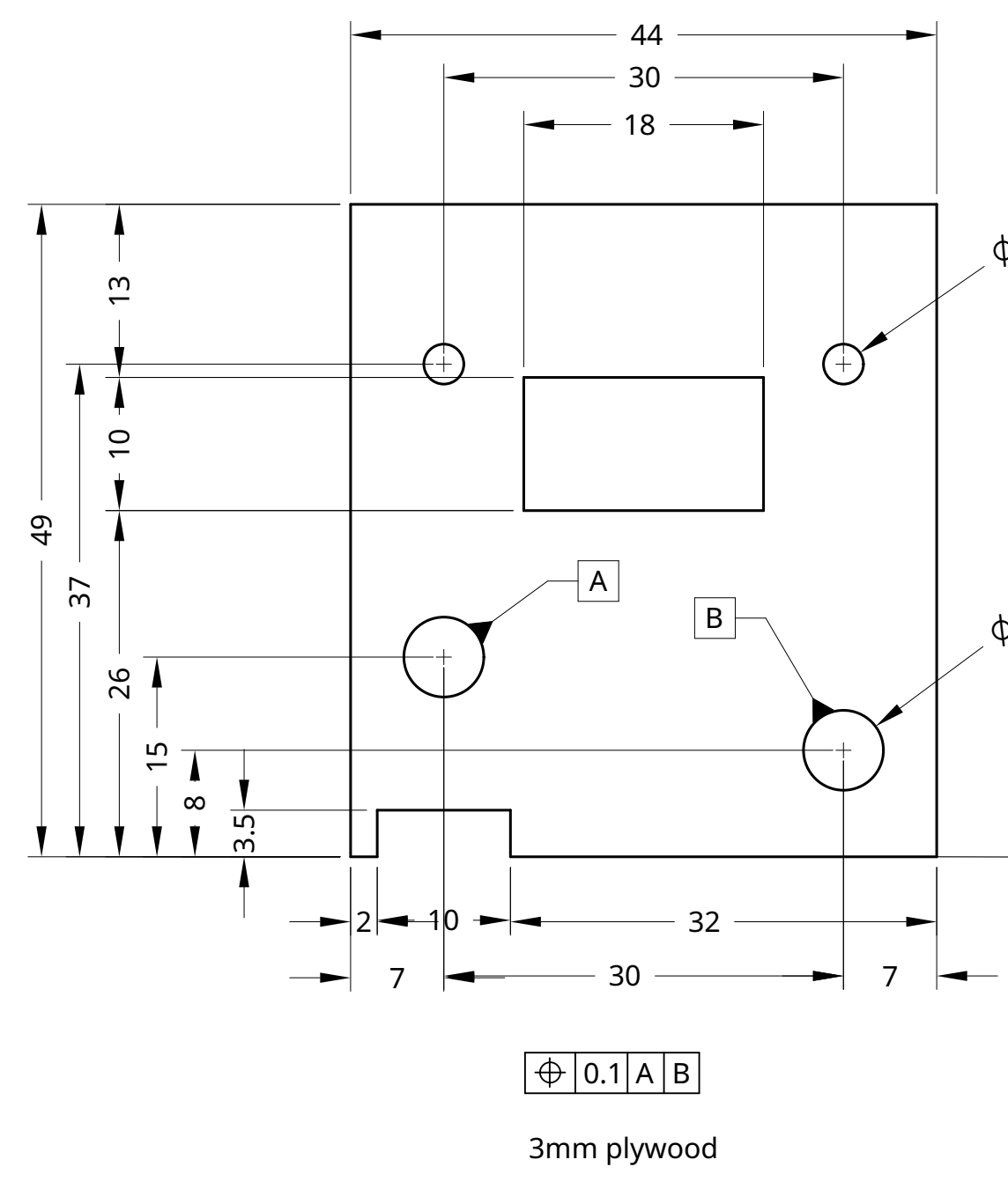


06 Motor support clamp



Paint internals and frame led as separate assemblies. Check dimensions with knife valves to ensure tight fit.

UNLESS OTHERWISE SPECIFIED, DIMENSIONS ARE IN MILLIMETERS		NAME	DATE		
ANGULAR = ± °		DRAWN	Ben1998	01/01/2018	
SURFACE FINISH		CHECKED			TITLE
DO NOT SCALE DRAWING		APPROVED			03 Internals ---- Fish Feeder 2
BREAK ALL SHARP EDGES AND REMOVE BURRS					SIZE D DWG NO. ---- REV. -
THIRD ANGLE PROJECTION		MATERIAL	FINISH	SCALE 2:1	WEIGHT SHEET 1 of 2



Holes A & B are bearing holes, drill holes A en B of all 3 parts stacked to get a perfect alignment

