

4

3

2

1

D

D

C

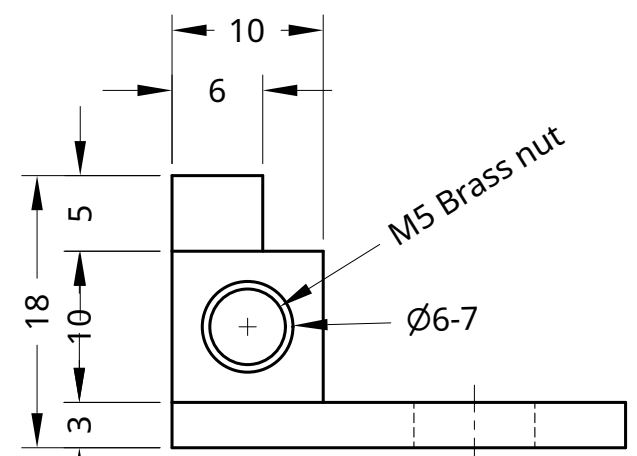
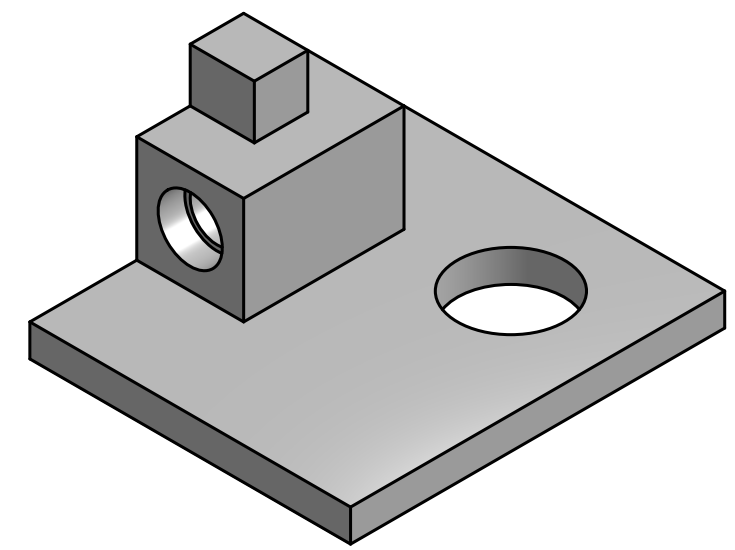
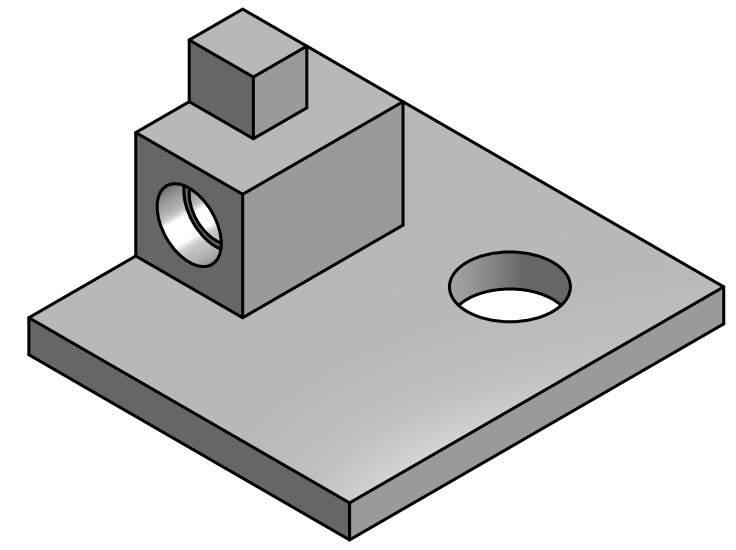
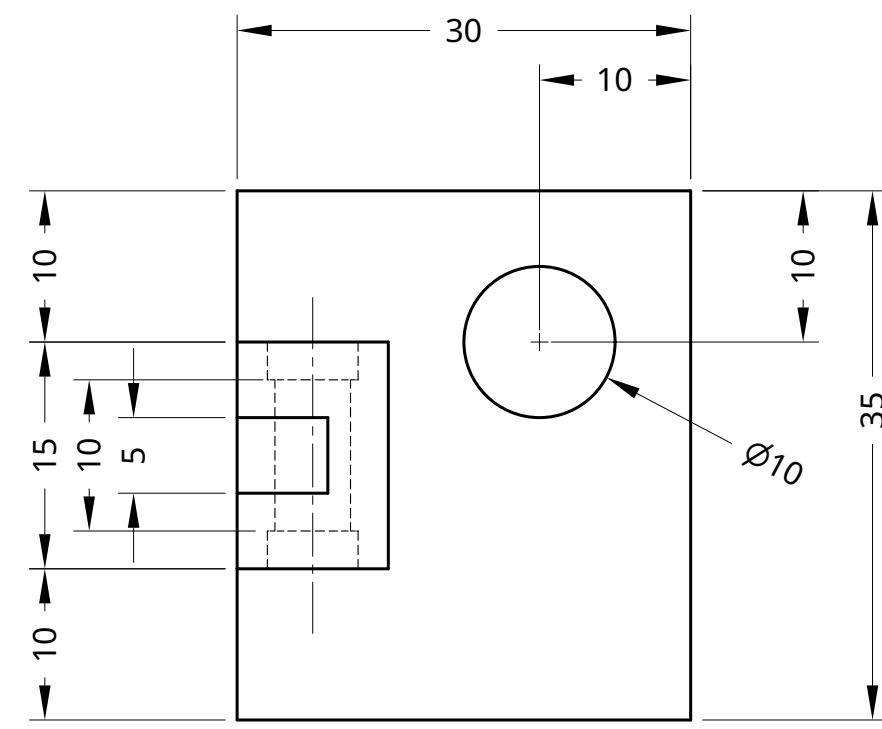
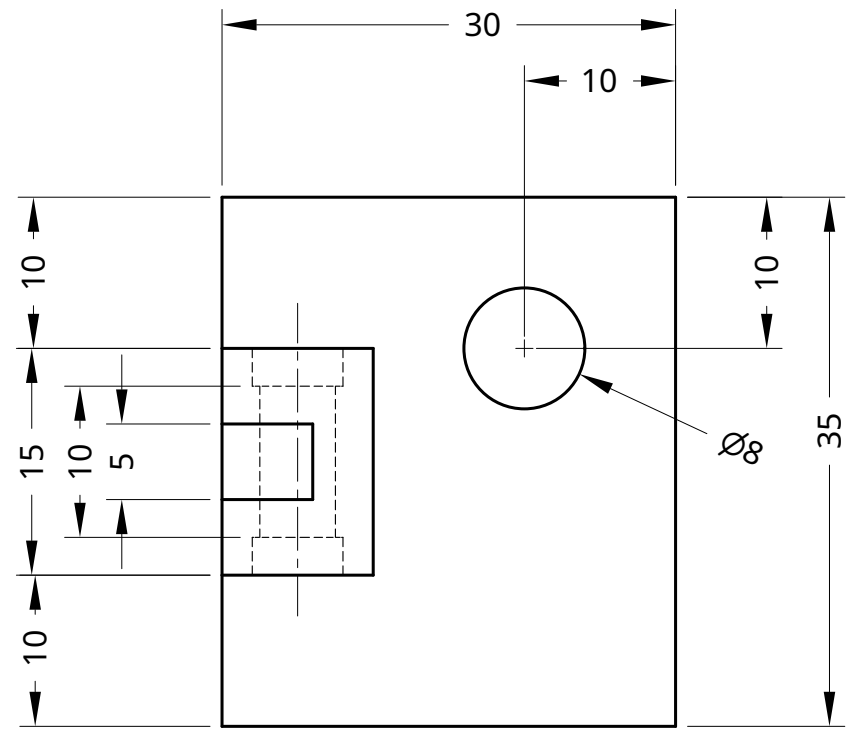
C

B

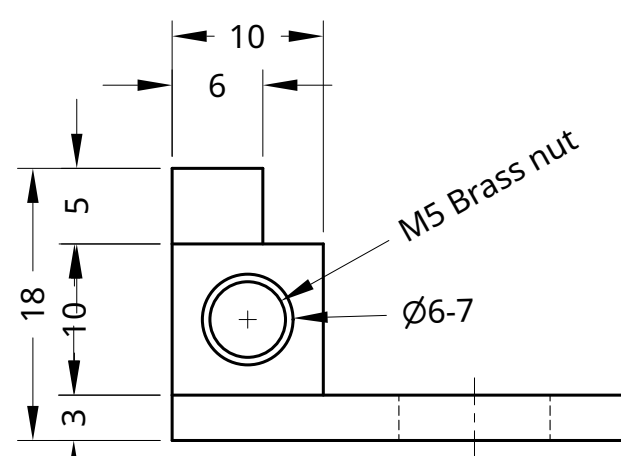
B

A

A



Top knife valve



Bottom knife valve

UNLESS OTHERWISE SPECIFIED, DIMENSIONS ARE IN MILLIMETERS		NAME	DATE		
ANGULAR = ± °		DRAWN	Ben1998	01/02/2018	
SURFACE FINISH		CHECKED			TITLE
DO NOT SCALE DRAWING		APPROVED			05 Knife valve Top & Bottom Fish Feeder 2
BREAK ALL SHARP EDGES AND REMOVE BURRS					SIZE
THIRD ANGLE PROJECTION		MATERIAL	FINISH		B
					DWG NO.

					REV.
					-
		SCALE	2:1	WEIGHT	
		SHEET	1 of 1		

4

3

2

1