

4

3

2

1

D

D

C

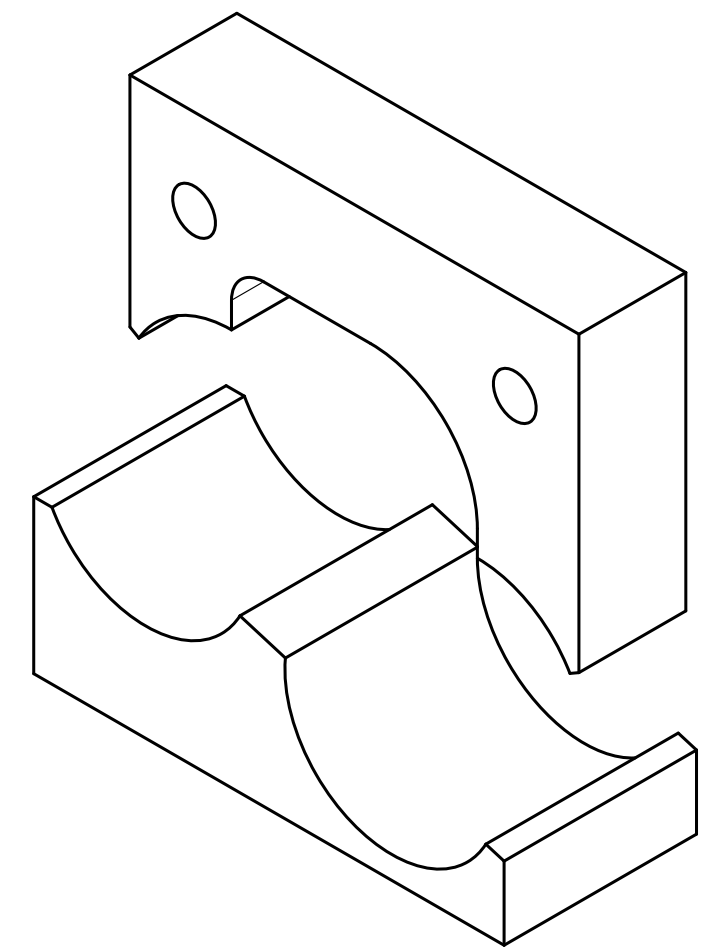
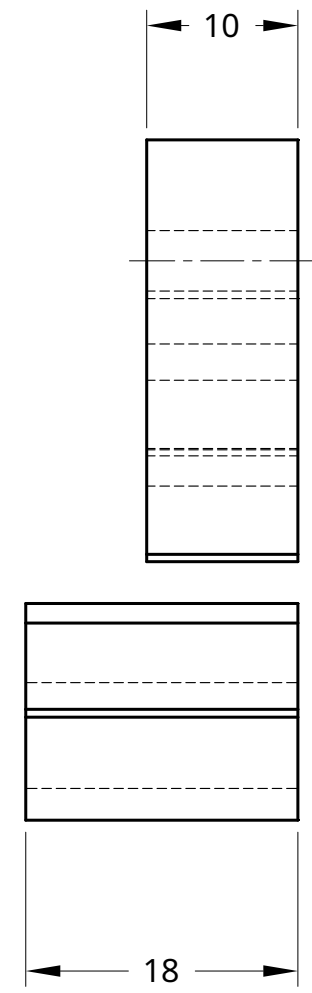
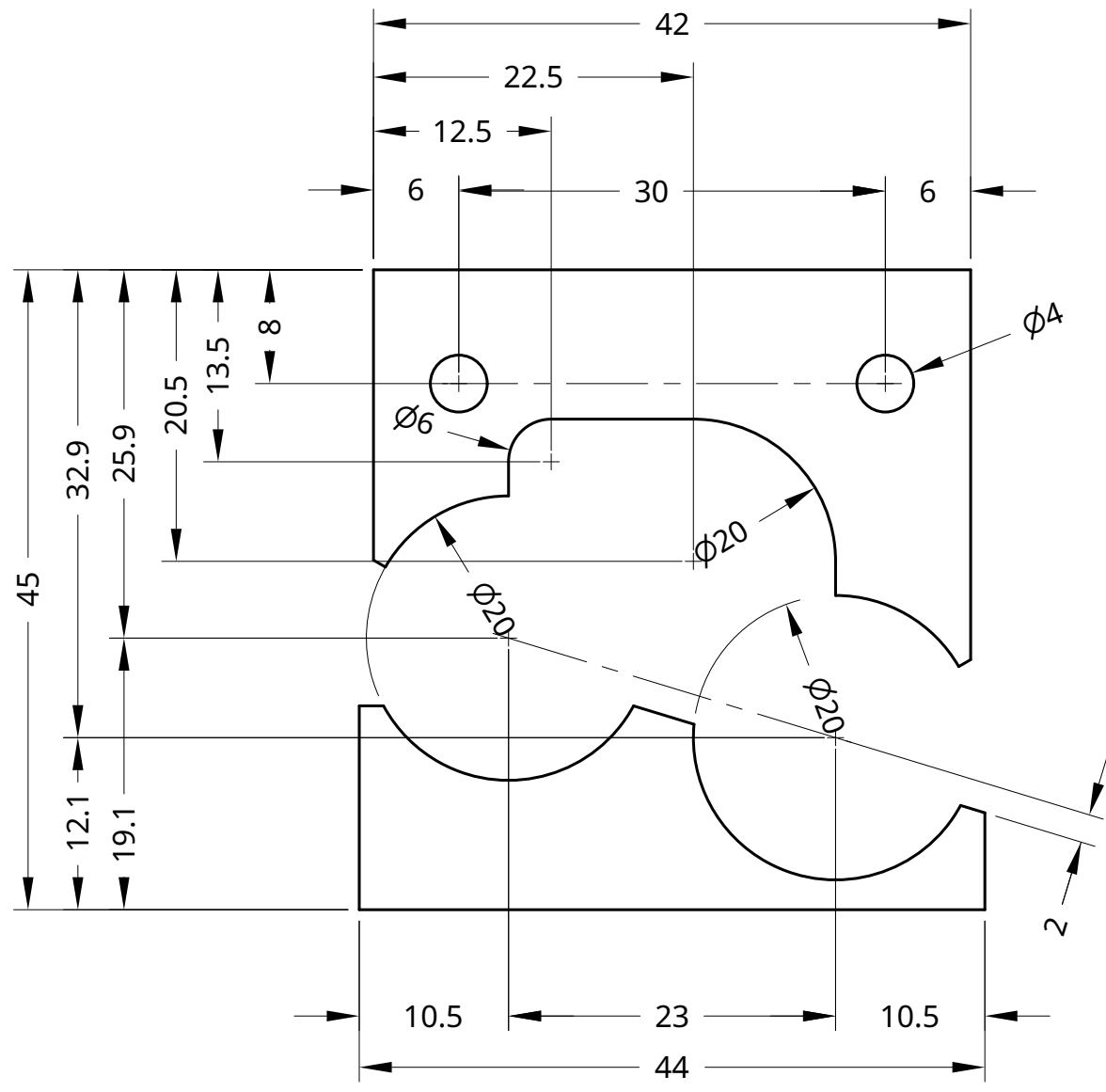
C

B

B

A

A



UNLESS OTHERWISE SPECIFIED, DIMENSIONS ARE IN MILLIMETERS		NAME	DATE	TITLE <b>06 Motor support clamp</b> ---- <b>Fish Feeder 2</b>	
ANGULAR = ± °	DRAWN	Ben1998	12/31/2017		
SURFACE FINISH	CHECKED				
DO NOT SCALE DRAWING	APPROVED				
BREAK ALL SHARP EDGES AND REMOVE BURRS	MATERIAL	FINISH		SIZE <b>B</b>	DWG NO. ----
THIRD ANGLE PROJECTION					REV. -
		SCALE 2:1	WEIGHT		SHEET 1 of 1

4

3

2

1