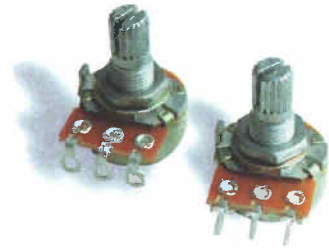


Model P160
16mm Rotary Potentiometer
Conductive Plastic Element
100,000 Cycle Life
Metal shaft / Bushing
Multi – Ganged available
RoHS Compliant



MODEL STYLES

Side Adjust , Solder Lugs	P160KNP
Side Adjust , PC pins	P160KN
Side Adjust , PC Pins, Long pins	P160KN2
Rear Adjust, PC pins	P160KNPD

ELECTRICAL¹

Resistance Range, Ohms	500-1M
Standard Resistance Tolerance	± 20%
Residual Resistance	20 ohms max.
Power rating Input Voltage, maximum	200 Vac max.
Power Rated, Watts	0.2W- B taper, 0.1W-others
Dielectric Strength	500Vac, 1 minute
Insulation Resistance, Minimum	100M ohms at 250Vdc
Sliding Noise	100mV max.
Actual Electrical Travel, Nominal	260°

MECHANICAL

Total Mechanical Travel	300°± 10°
Static Stop Strength	90 oz-in
Rotational Torque, Maximum	2.5 oz-in

ENVIRONMENTAL

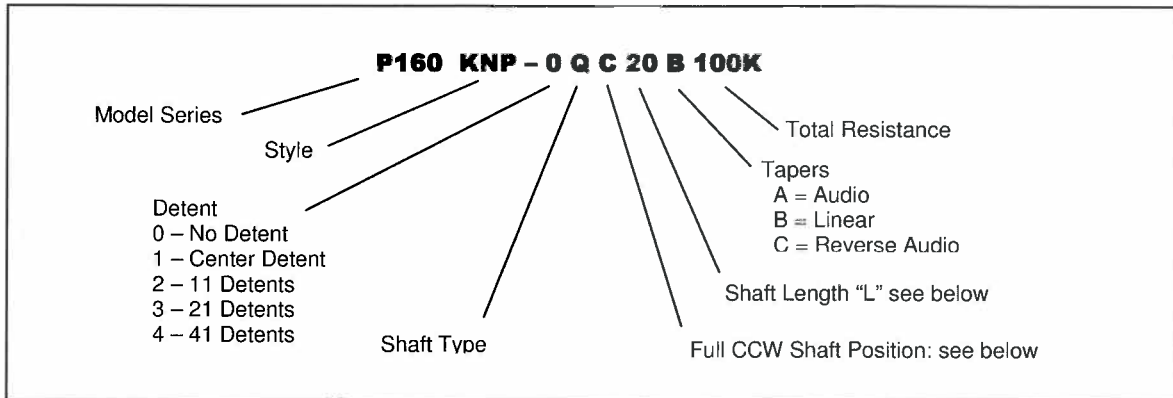
Operating Temperature Range	-20°C to +70°C
Rotational Life	100,000 cycles

¹ Specifications subject to change without notice.

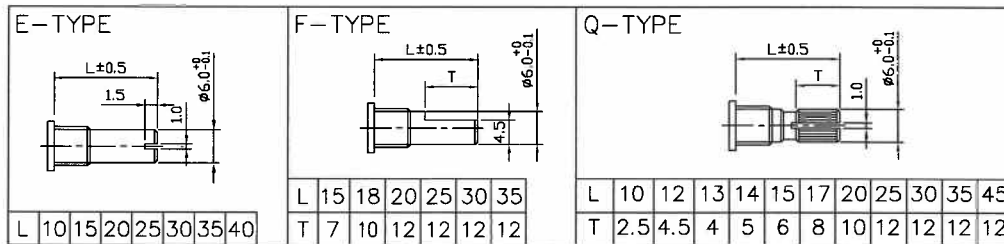


Model P160

ORDERING INFORMATION²

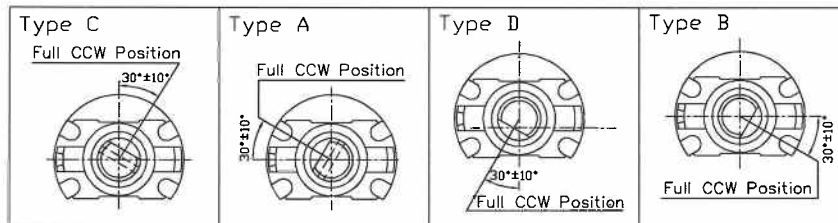


Shaft Types



Shaft Position (F-Type Shaft)

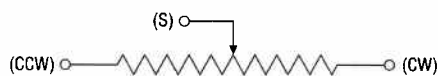
Dashed lines on Type "C" and Type "A" shows position of adjustment slot for E-Type and Q-Type shafts



STANDARD RESISTANCE VALUES, OHMS

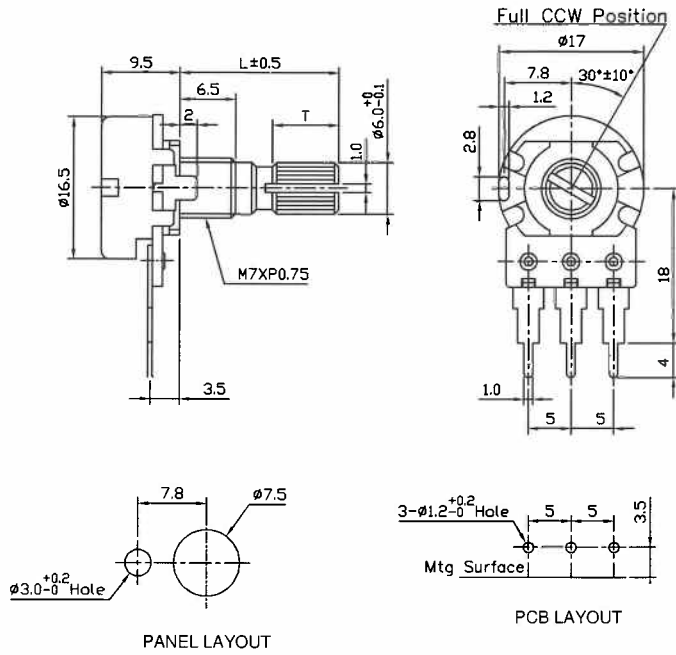
500 1K 2K 5K 10K 20K 50K 100K 200K 500K 1MEG

CIRCUIT DIAGRAM



Model P160

Model P160KN2 (Side Adjust , PC Pins, Long pins)



Model P160KNPD (Rear Adjust , PC Pins)

