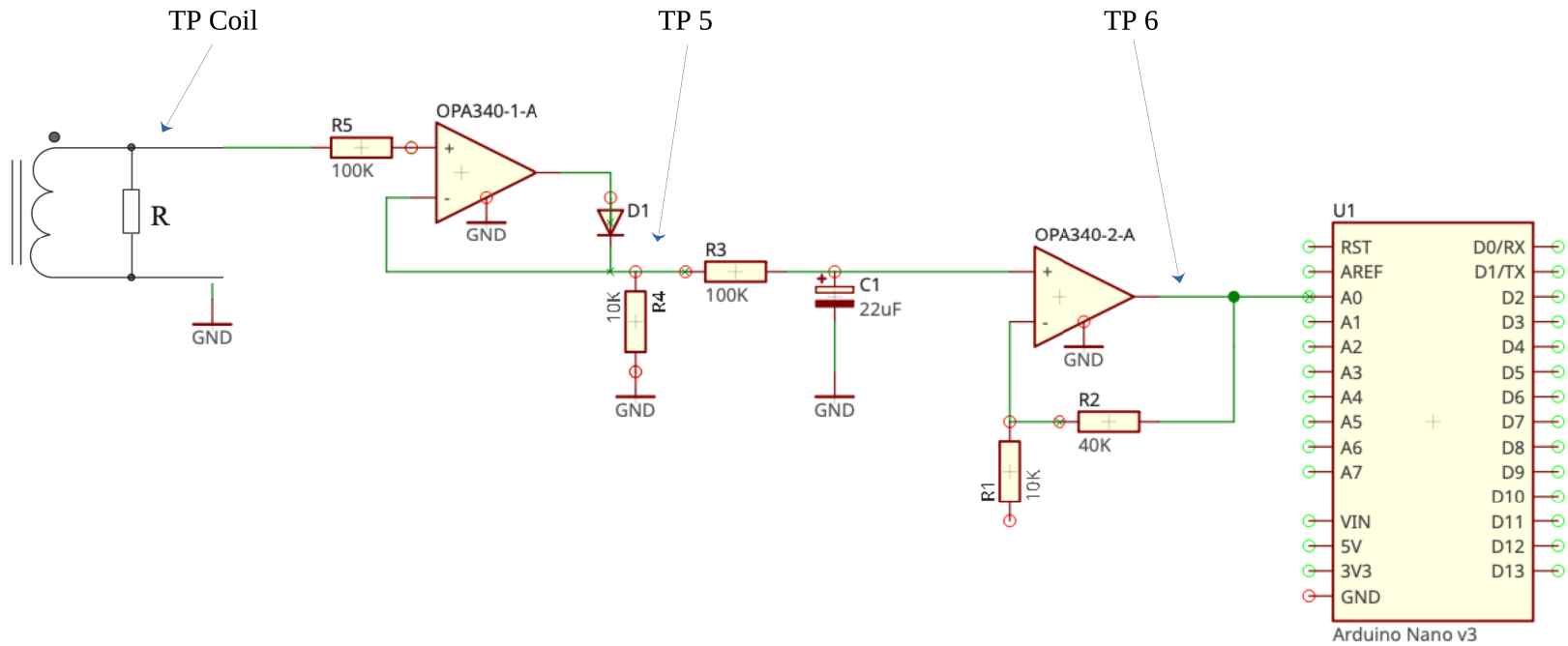
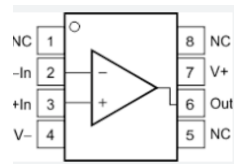


AC to DC Signal conversion circuit for split core transformer suitable for Arduino 5v analog input



	Jun 15 2023
OPA	(qty 2) TI OpAmp 340 5v to pins 4 and 7
D1	IN4148
C1	Increase value for lower sample rate
R1 / R2	Gain = $1 + (R2/R1)$ add a pot if desired
Split Core	Model SCT013-030 YHDC.com



June 15 2023	Version 1