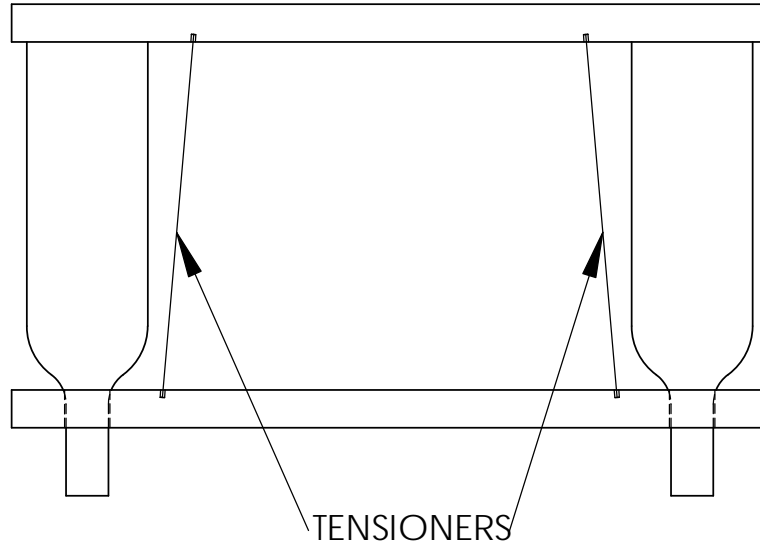
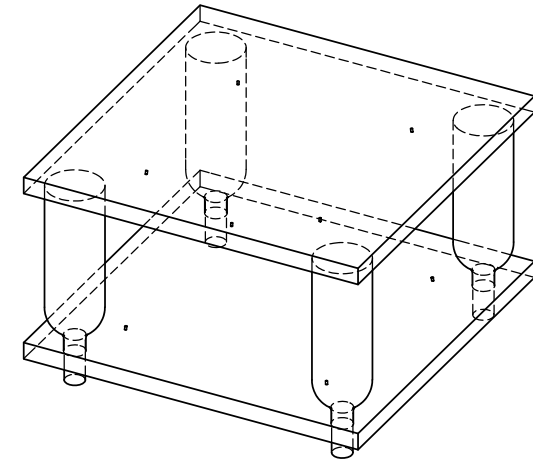


NOT FOR MANUFACTURE



FRONT ELEVATION



TRIMETRIC VIEW

TITLE: General Assembly	AUTHOR Zero-Waste Design - RMS		
	DATE MODIFIED 28 January 2011 13:25:13		
PROJECT: Tengreen: Burnham Table	SIZE <b>A4</b>	DWG. REF. 36-01	REV —
Tolerances +/- 0.5mm or +/- 0.5° unless otherwise stated		SCALE: 1:5	UNITS: mm
		SHEET 1 OF 1	