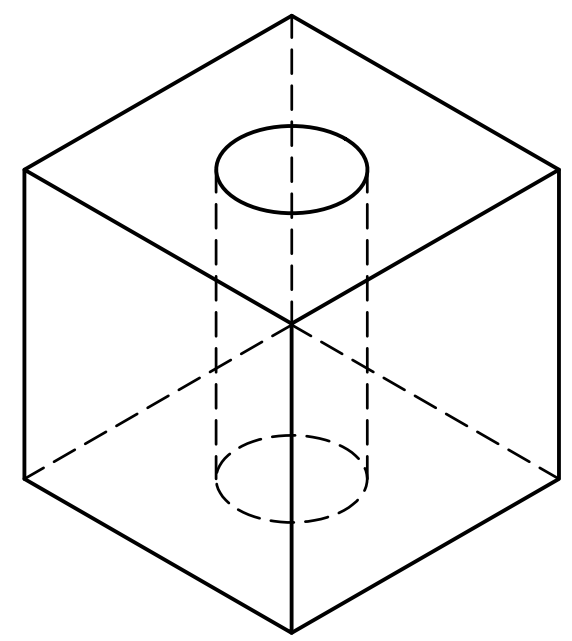
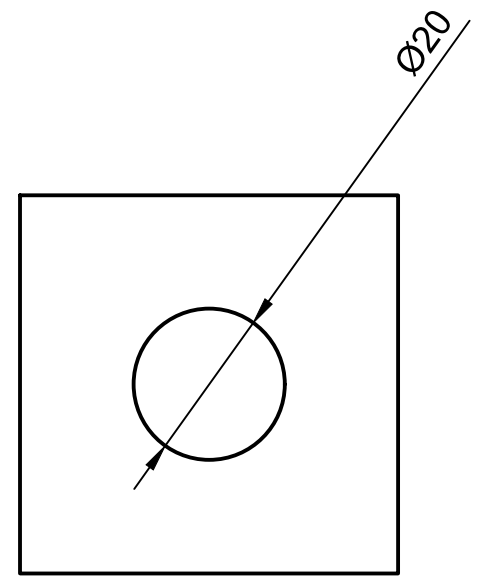
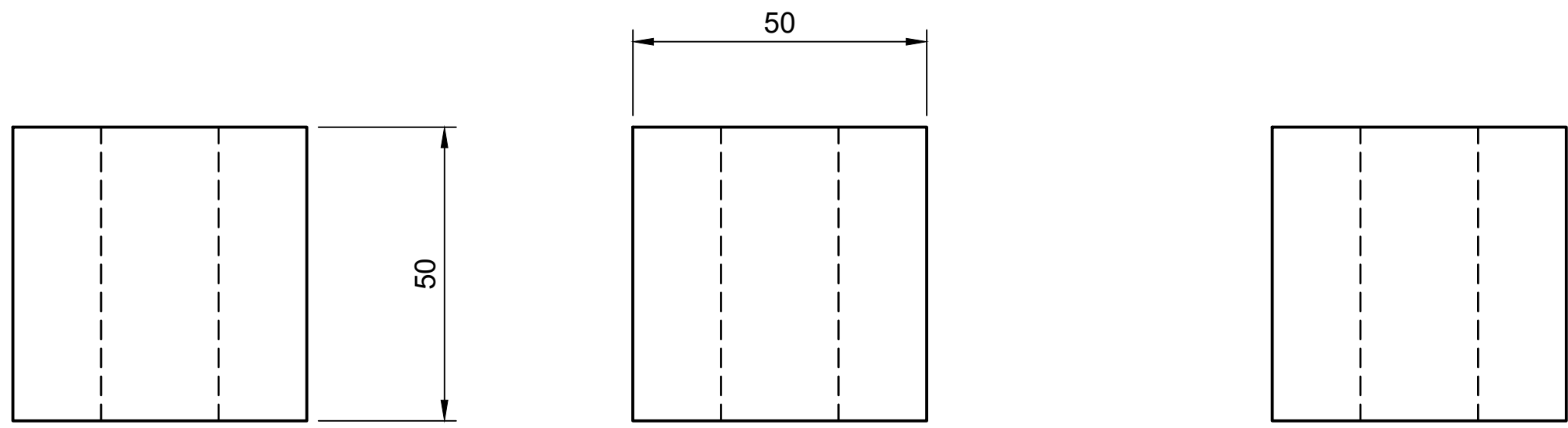


DESIGN OF THE SQUARE WITH HOLE IN MIDDLE



ALL DIMENSIONS ARE IN MM

Dept.	Technical reference	Created by Aranganathan 26-07-2017	Approved by	
		Document type	Document status	
		Title 3d drawing tutorial	DWG No.	
		Rev.	Date of issue	Sheet 1/1