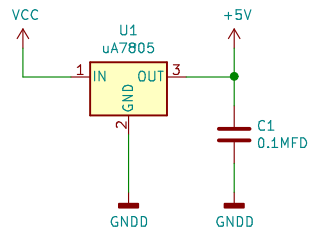
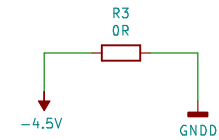
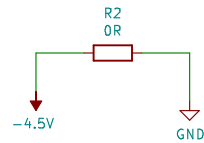
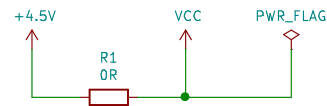
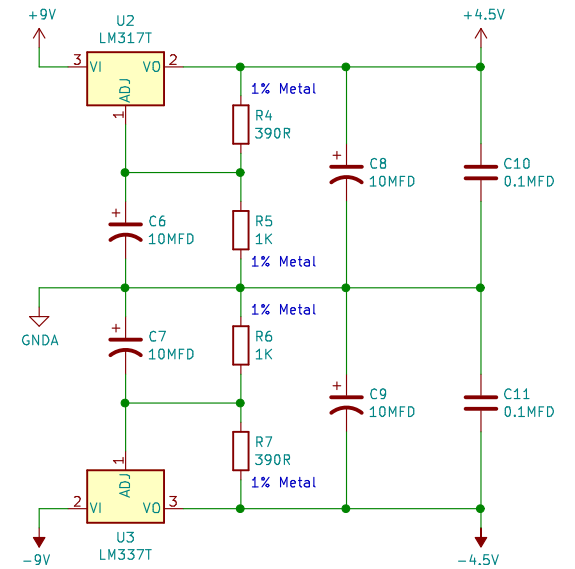
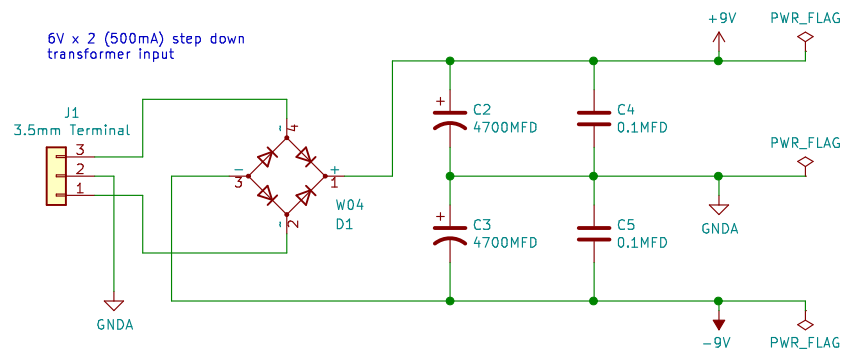


Licensed under CERN-OHL-W Version 2.0
<https://github.com/dilshan/6ch-af-preamplifier>
<http://jayakody2000lk.blogspot.com>
jayakody2000lk@gmail.com
Dilshan R Jayakody
 Sheet: /
 File: 6ch-preamp.sch

Title: 5.1 Channel Audio Preamplifier

Size: A4	Date: 2021-08-05	Rev: 1.0.0
KiCad E.D.A. kicad 5.1.7-a382d34a888ubuntu20.04.1		Id: 1/6



Licensed under CERN-OHL-W Version 2.0
<https://github.com/dilshan/6ch-af-preamplifier>
<http://jayakody2000lk.blogspot.com>
 jayakody2000lk@gmail.com

Dilshan R Jayakody

Sheet: /PSU/

File: psu.sch

Title: 5.1 Channel Audio Preamplifier

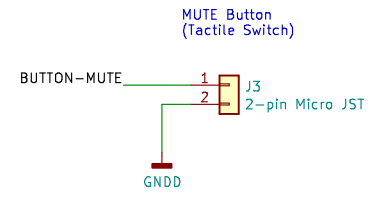
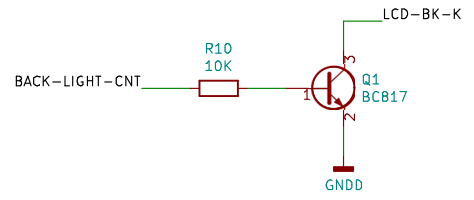
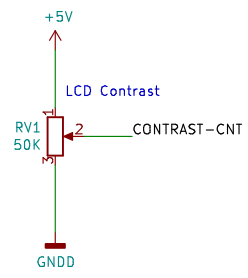
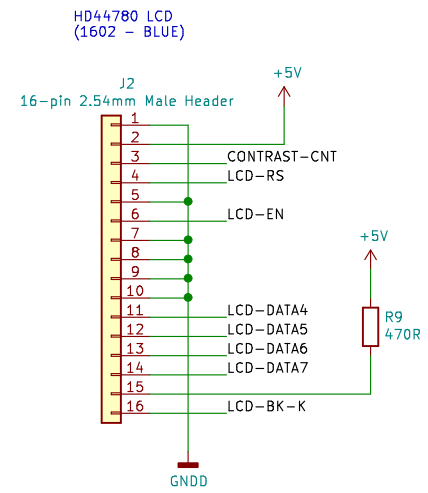
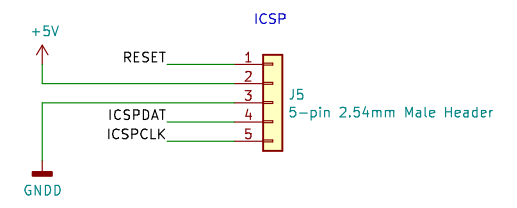
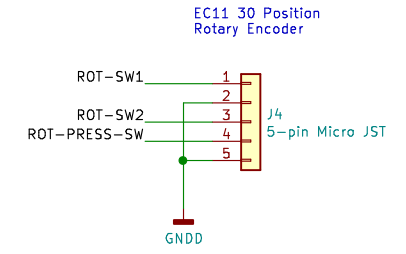
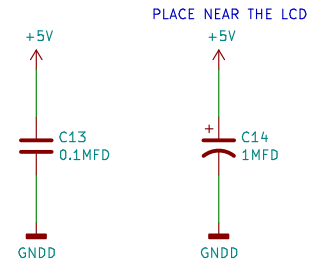
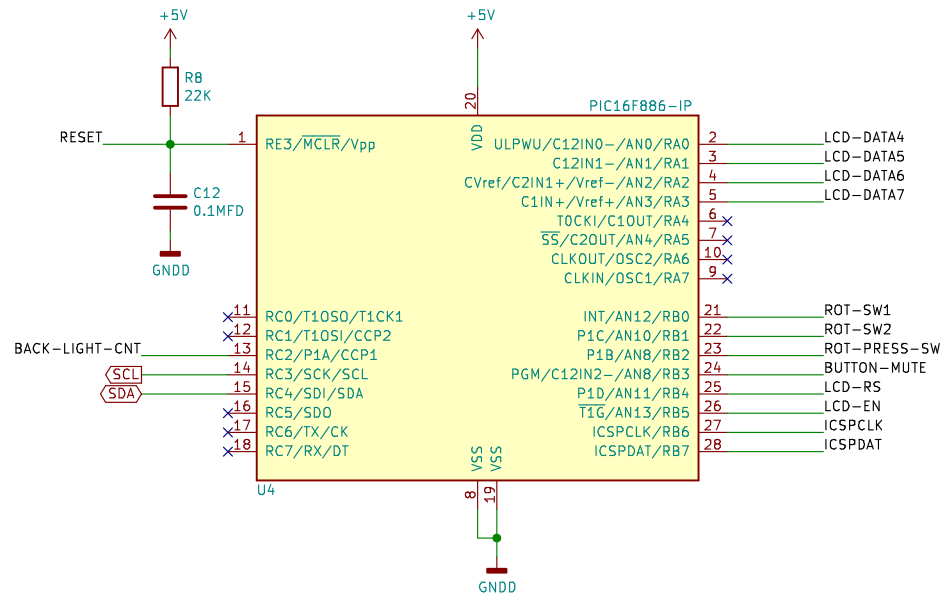
Size: A4

Date: 2021-08-05

Rev: 1.0.0

KiCad E.D.A. kicad 5.1.7-a382d34a888ubuntu20.04.1

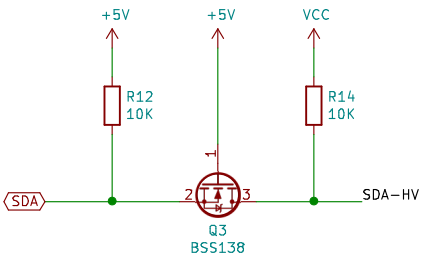
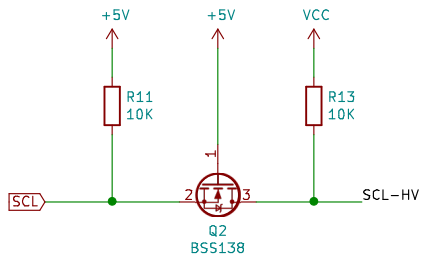
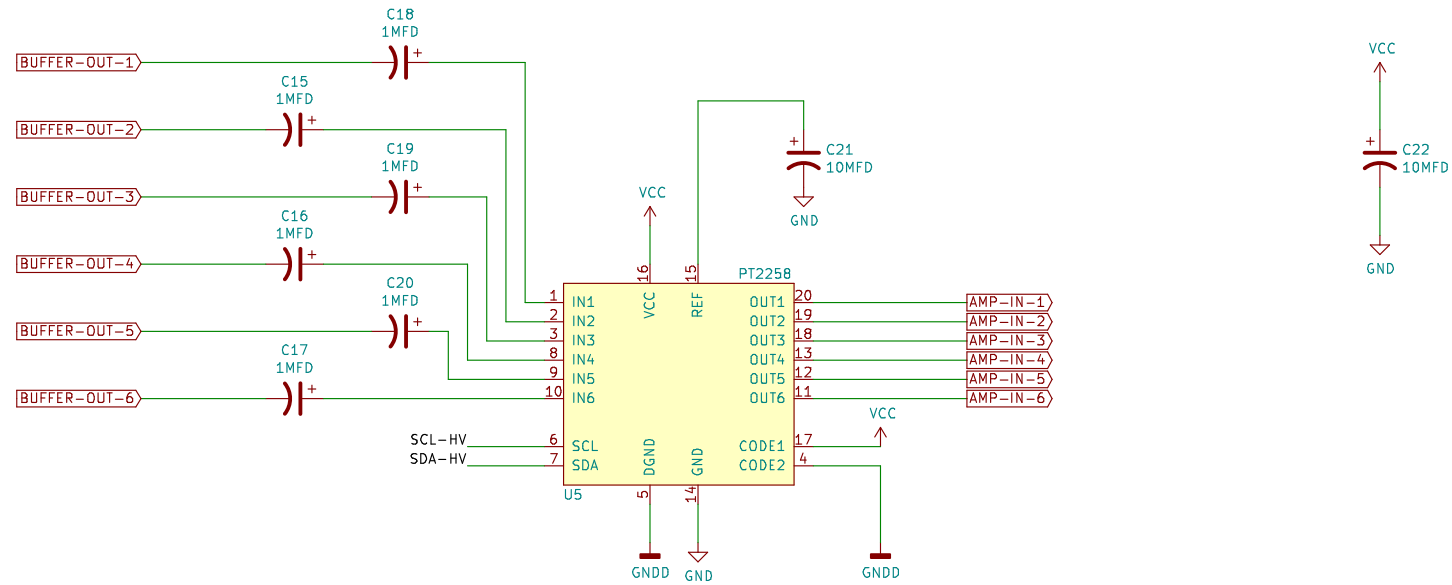
Id: 2/6



Licensed under CERN-OHL-W Version 2.0
<https://github.com/dilshan/6ch-af-preamplifier>
<http://jayakody2000lk.blogspot.com>
 jayakody2000lk@gmail.com
Dilshan R Jayakody
 Sheet: /MCU-CONTROL/
 File: control.sch

Title: 5.1 Channel Audio Preamplifier

Size: A4	Date: 2021-08-05	Rev: 1.0.0
KiCad E.D.A. kicad 5.1.7-a382d34a888ubuntu20.04.1		Id: 3/6



Licensed under CERN-OHL-W Version 2.0
<https://github.com/dilshan/6ch-af-preamplifier>
<http://jayakody2000lk.blogspot.com>
 jayakody2000lk@gmail.com

Dilshan R Jayakody

Sheet: /VOLUME-CNT/

File: vol-cnt.sch

Title: 5.1 Channel Audio Preamplifier

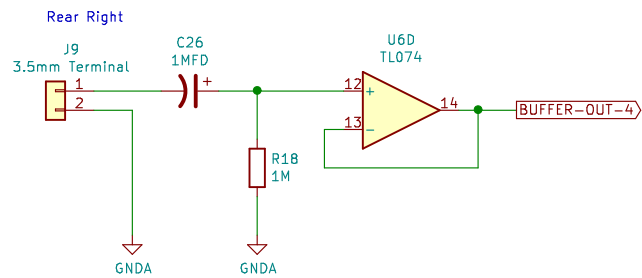
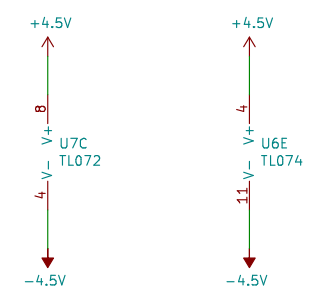
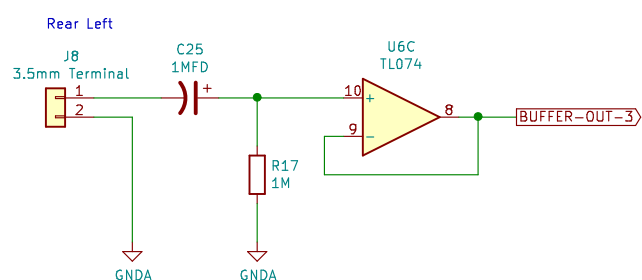
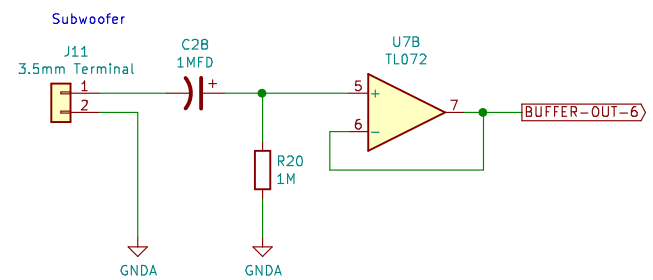
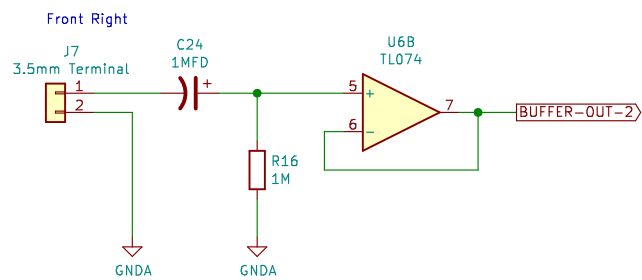
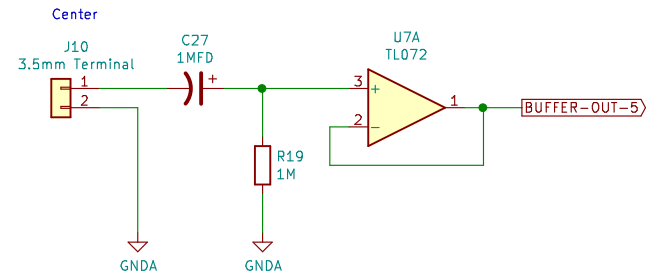
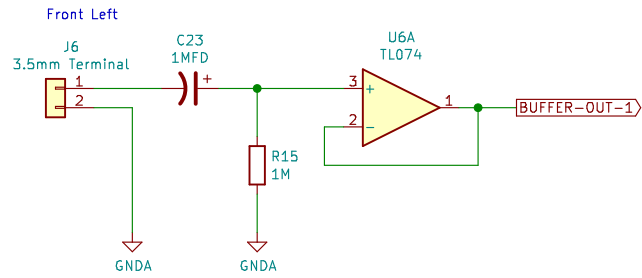
Size: A4

Date: 2021-08-05

Rev: 1.0.0

KiCad E.D.A. kicad 5.1.7-a382d34a888ubuntu20.04.1

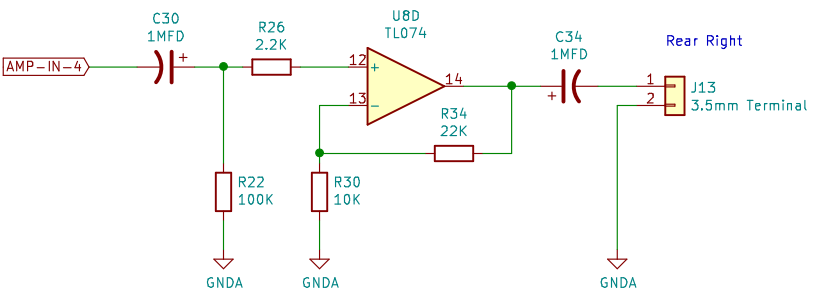
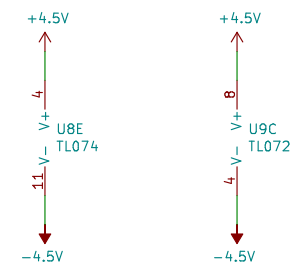
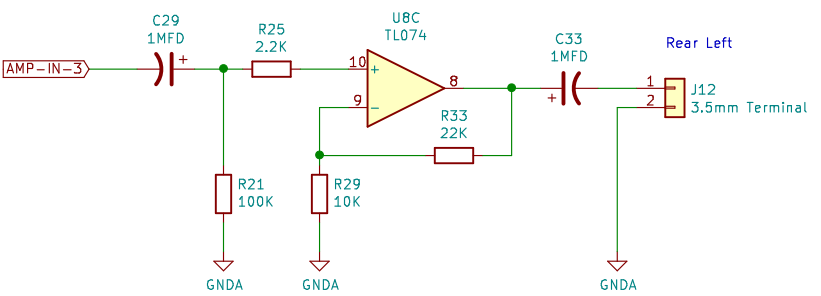
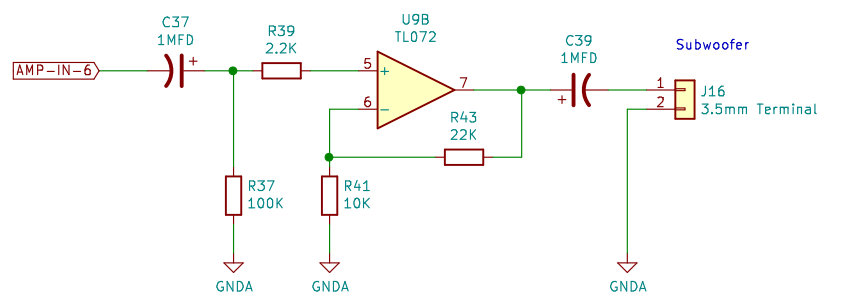
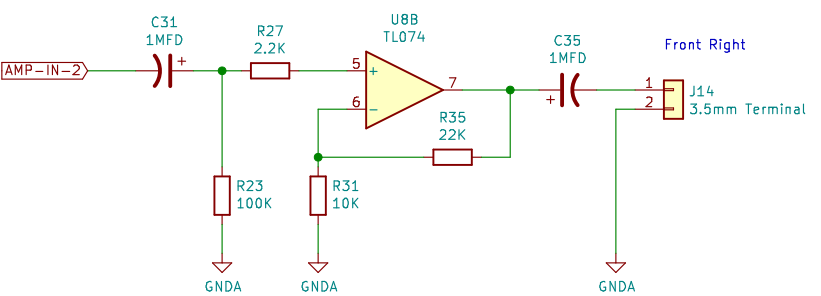
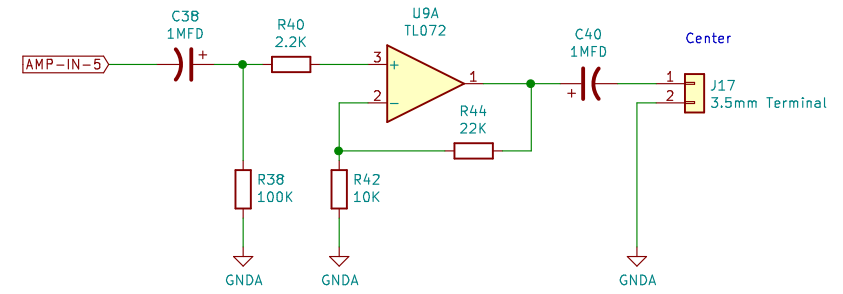
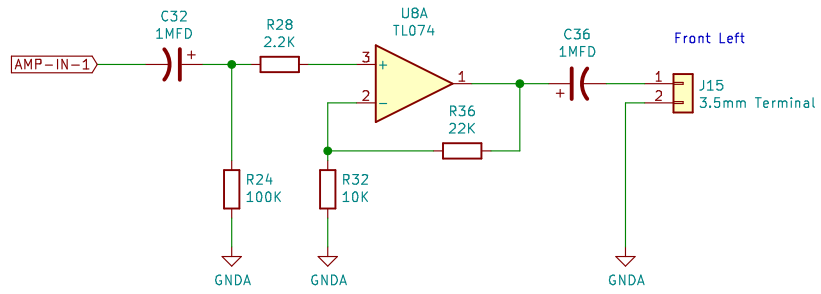
Id: 4/6



Licensed under CERN-OHL-W Version 2.0
<https://github.com/dilshan/6ch-af-preamplifier>
<http://jayakody2000lk.blogspot.com>
 jayakody2000lk@gmail.com
Dilshan R Jayakody
 Sheet: /BUFFER-AMP/
 File: buffer.sch

Title: 5.1 Channel Audio Preamplifier

Size: A4	Date: 2021-08-05	Rev: 1.0.0
KiCad E.D.A. kicad 5.1.7-a382d34a888ubuntu20.04.1		Id: 5/6



Licensed under CERN-OHL-W Version 2.0 https://github.com/dilshan/6ch-af-preamplifier http://jayakody2000lk.blogspot.com jayakody2000lk@gmail.com		
Dilshan R Jayakody		
Sheet: /FINAL-AMP_STAGE/ File: amp-stage.sch		
Title: 5.1 Channel Audio Preamplifier		
Size: A4	Date: 2021-08-05	Rev: 1.0.0
KiCad E.D.A. kicad 5.1.7-a382d34a888ubuntu20.04.1	Id: 6/6	