

74HC74; 74HCT74

Dual D-type flip-flop with set and reset; positive edge-trigger

Rev. 5 — 3 December 2015

Product data sheet

1. General description

The 74HC74 and 74HCT74 are dual positive edge triggered D-type flip-flop. They have individual data (nD), clock (nCP), set ($n\overline{SD}$) and reset ($n\overline{RD}$) inputs, and complementary nQ and $n\overline{Q}$ outputs. Data at the nD -input, that meets the set-up and hold time requirements on the LOW-to-HIGH clock transition, is stored in the flip-flop and appears at the nQ output. Schmitt-trigger action in the clock input, makes the circuit highly tolerant to slower clock rise and fall times. Inputs include clamp diodes that enable the use of current limiting resistors to interface inputs to voltages in excess of V_{CC} .

2. Features and benefits

- Input levels:
 - ◆ For 74HC74: CMOS level
 - ◆ For 74HCT74: TTL level
- Symmetrical output impedance
- Low power dissipation
- High noise immunity
- Balanced propagation delays
- Specified in compliance with JEDEC standard no. 7A
- ESD protection:
 - ◆ HBM JESD22-A114F exceeds 2000 V
 - ◆ MM JESD22-A115-A exceeds 200 V
- Multiple package options
- Specified from $-40\text{ }^{\circ}\text{C}$ to $+85\text{ }^{\circ}\text{C}$ and from $-40\text{ }^{\circ}\text{C}$ to $+125\text{ }^{\circ}\text{C}$

3. Ordering information

Table 1. Ordering information

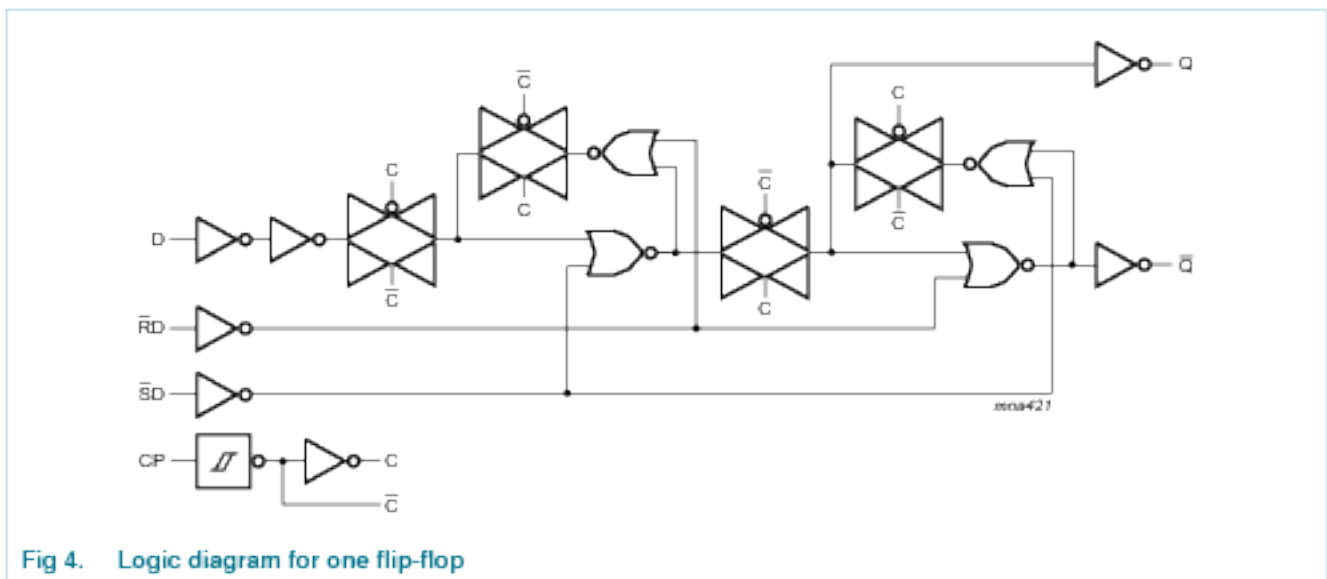
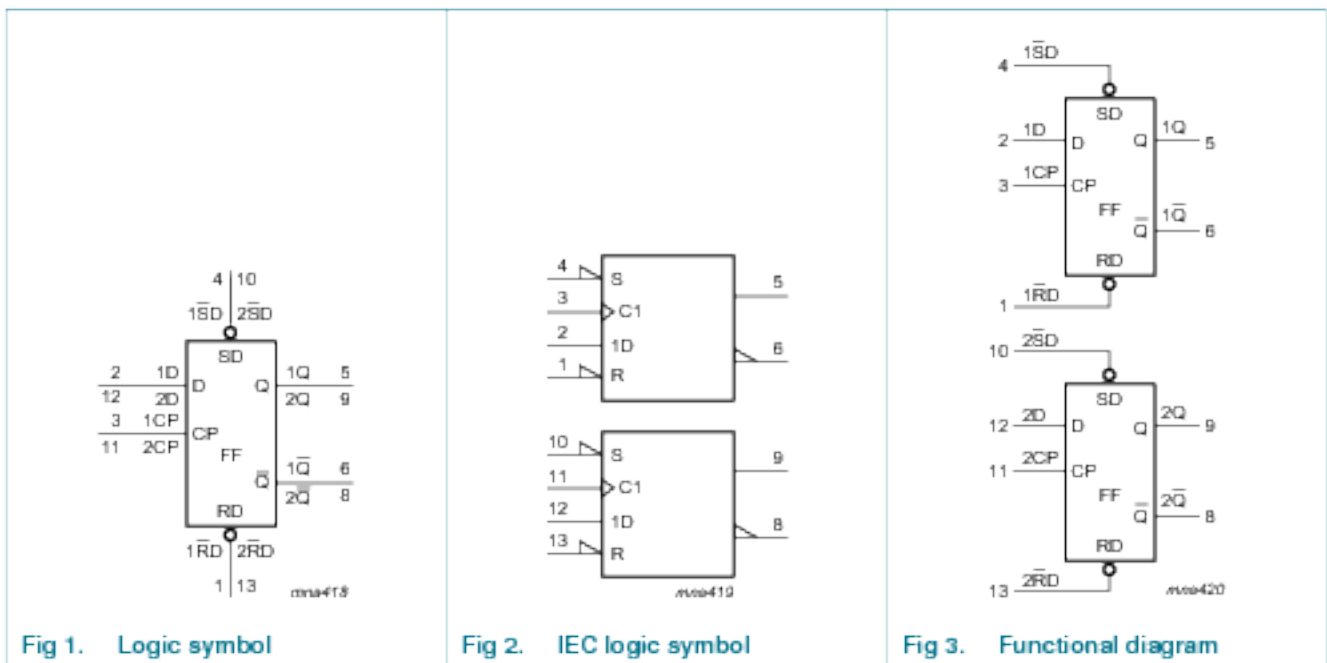
Type number	Package			
	Temperature range	Name	Description	Version
74HC74D	$-40\text{ }^{\circ}\text{C}$ to $+125\text{ }^{\circ}\text{C}$	SO14	plastic small outline package; 14 leads; body width 3.9 mm	SOT108-1
74HCT74D				
74HC74DB	$-40\text{ }^{\circ}\text{C}$ to $+125\text{ }^{\circ}\text{C}$	SSOP14	plastic shrink small outline package; 14 leads; body width 5.3 mm	SOT337-1
74HCT74DB				



Table 1. Ordering information ...continued

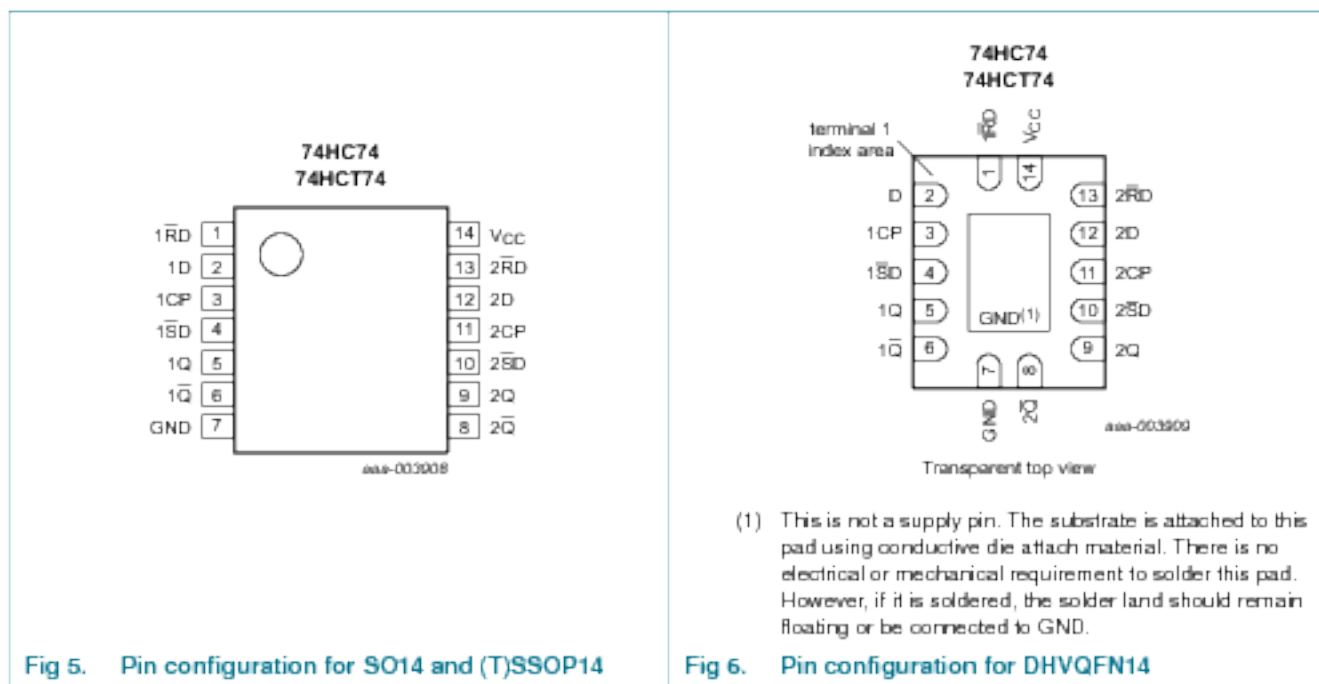
Type number	Package			Version
	Temperature range	Name	Description	
74HC74PW	-40 °C to +125 °C	TSSOP14	plastic thin shrink small outline package; 14 leads; body width 4.4 mm	SOT402-1
74HCT74PW				
74HC74BQ	-40 °C to +125 °C	DHVQFN14	plastic dual in-line compatible thermal enhanced very thin quad flat package; no leads; 14 terminals; body 2.5 × 3 × 0.85 mm	SOT762-1
74HCT74BQ				

4. Functional diagram



5. Pinning information

5.1 Pinning



5.2 Pin description

Table 2. Pin description

Symbol	Pin	Description
$\overline{1RD}$	1	asynchronous reset-direct input (active LOW)
1D	2	data input
1CP	3	clock input (LOW-to-HIGH, edge-triggered)
$\overline{1SD}$	4	asynchronous set-direct input (active LOW)
1Q	5	output
$\overline{1Q}$	6	complement output
GND	7	ground (0 V)
$\overline{2Q}$	8	complement output
2Q	9	output
$\overline{2SD}$	10	asynchronous set-direct input (active LOW)
2CP	11	clock input (LOW-to-HIGH, edge-triggered)
2D	12	data input
$\overline{2RD}$	13	asynchronous reset-direct input (active LOW)
V _{CC}	14	supply voltage

6. Functional description

Table 3. Function table^[1]

Input				Output	
nSD	nRD	nCP	nD	nQ	nQ̄
L	H	X	X	H	L
H	L	X	X	L	H
L	L	X	X	H	H

[1] H = HIGH voltage level; L = LOW voltage level; X = don't care.

Table 4. Function table^[1]

Input				Output	
nSD	nRD	nCP	nD	nQ _{n+1}	nQ̄ _{n+1}
H	H	↑	L	L	H
H	H	↑	H	H	L

[1] H = HIGH voltage level; L = LOW voltage level; ↑ = LOW-to-HIGH transition; Q_{n+1} = state after the next LOW-to-HIGH CP transition; X = don't care.

7. Limiting values

Table 5. Limiting values

In accordance with the Absolute Maximum Rating System (IEC 60134). Voltages are referenced to GND (ground = 0 V).

Symbol	Parameter	Conditions	Min	Max	Unit
V _{CC}	supply voltage		-0.5	+7	V
I _{IK}	input clamping current	V _I < -0.5 V or V _I > V _{CC} + 0.5 V	-	±20	mA
I _{OK}	output clamping current	V _O < -0.5 V or V _O > V _{CC} + 0.5 V	-	±20	mA
I _O	output current	V _O = -0.5 V to (V _{CC} + 0.5 V)	-	±25	mA
I _{CC}	supply current		-	+100	mA
I _{GND}	ground current		-100	-	mA
T _{stg}	storage temperature		-65	+150	°C
P _{tot}	total power dissipation	SO14, (T)SSOP14 and DHVQFN14 packages [1]	-	500	mW

[1] For SO14 package: P_{tot} derates linearly with 8 mW/K above 70 °C.
 For (T)SSOP14 packages: P_{tot} derates linearly with 5.5 mW/K above 60 °C.
 For DHVQFN14 packages: P_{tot} derates linearly with 4.5 mW/K above 60 °C.

8. Recommended operating conditions

Table 6. Recommended operating conditions

Voltages are referenced to GND (ground = 0 V)

Symbol	Parameter	Conditions	74HC74			74HCT74			Unit
			Min	Typ	Max	Min	Typ	Max	
V_{CC}	supply voltage		2.0	5.0	6.0	4.5	5.0	5.5	V
V_I	input voltage		0	-	V_{CC}	0	-	V_{CC}	V
V_O	output voltage		0	-	V_{CC}	0	-	V_{CC}	V
T_{amb}	ambient temperature		-40	+25	+125	-40	+25	+125	°C
$\Delta t/\Delta V$	input transition rise and fall rate	$V_{CC} = 2.0\text{ V}$	-	-	625	-	-	-	ns/V
		$V_{CC} = 4.5\text{ V}$	-	1.67	139	-	1.67	139	ns/V
		$V_{CC} = 6.0\text{ V}$	-	-	83	-	-	-	ns/V

9. Static characteristics

Table 7. Static characteristics

At recommended operating conditions; voltages are referenced to GND (ground = 0 V).

Symbol	Parameter	Conditions	$T_{amb} = -40\text{ °C to }+85\text{ °C}$			$T_{amb} = -40\text{ °C to }+125\text{ °C}$		Unit
			Min	Typ ^[1]	Max	Min	Max	
74HC74								
V_{IH}	HIGH-level input voltage	$V_{CC} = 2.0\text{ V}$	1.5	1.2	-	1.5	-	V
		$V_{CC} = 4.5\text{ V}$	3.15	2.4	-	3.15	-	V
		$V_{CC} = 6.0\text{ V}$	4.2	3.2	-	4.2	-	V
V_{IL}	LOW-level input voltage	$V_{CC} = 2.0\text{ V}$	-	0.8	0.5	-	0.5	V
		$V_{CC} = 4.5\text{ V}$	-	2.1	1.35	-	1.35	V
		$V_{CC} = 6.0\text{ V}$	-	2.8	1.8	-	1.8	V
V_{OH}	HIGH-level output voltage	$V_I = V_{IH}$ or V_{IL}						
		$I_O = -4.0\text{ mA}; V_{CC} = 4.5\text{ V}$	3.84	4.32	-	3.7	-	V
		$I_O = -5.2\text{ mA}; V_{CC} = 6.0\text{ V}$	5.34	5.81	-	5.2	-	V
V_{OL}	LOW-level output voltage	$V_I = V_{IH}$ or V_{IL}						
		$I_O = 4.0\text{ mA}; V_{CC} = 4.5\text{ V}$	-	0.15	0.33	-	0.4	V
		$I_O = 5.2\text{ mA}; V_{CC} = 6.0\text{ V}$	-	0.16	0.33	-	0.4	V
I_I	input leakage current	$V_I = V_{CC}$ or GND; $V_{CC} = 6.0\text{ V}$	-	-	±1.0	-	±1.0	µA
I_{CC}	supply current	$V_I = V_{CC}$ or GND; $I_O = 0\text{ A};$ $V_{CC} = 6.0\text{ V}$	-	-	40	-	80	µA
C_I	input capacitance		-	3.5	-	-	-	pF

Table 7. Static characteristics ...continued

At recommended operating conditions; voltages are referenced to GND (ground = 0 V).

Symbol	Parameter	Conditions	T _{amb} = -40 °C to +85 °C			T _{amb} = -40 °C to +125 °C		Unit
			Min	Typ ^[1]	Max	Min	Max	
74HCT74								
V _{IH}	HIGH-level input voltage	V _{CC} = 4.5 V to 5.5 V	2.0	1.6	-	2.0	-	V
V _{IL}	LOW-level input voltage	V _{CC} = 4.5 V to 5.5 V	-	1.2	0.8	-	0.8	V
V _{OH}	HIGH-level output voltage	V _I = V _{IH} or V _{IL} ; V _{CC} = 4.5 V						
		I _O = -4 mA	3.84	4.32	-	3.7	-	V
V _{OL}	LOW-level output voltage	V _I = V _{IH} or V _{IL} ; V _{CC} = 4.5 V						
		I _O = 4.0 mA	-	0.15	0.33	-	0.4	V
I _I	input leakage current	V _I = V _{CC} or GND; V _{CC} = 5.5 V	-	-	±1.0	-	±1.0	µA
I _{CC}	supply current	V _I = V _{CC} or GND; I _O = 0 A; V _{CC} = 5.5 V	-	-	40	-	80	µA
ΔI _{CC}	additional supply current	V _I = V _{CC} - 2.1 V; other inputs at V _{CC} or GND; V _{CC} = 4.5 V to 5.5 V; I _O = 0 A						
		per input pin; nD, nRD inputs	-	70	315	-	343	µA
		per input pin; nSD, nCP input	-	80	360	-	392	µA
C _I	input capacitance		-	3.5	-	-	-	pF

[1] All typical values are measured at T_{amb} = 25 °C.

10. Dynamic characteristics

Table 8. Dynamic characteristics

Voltages are referenced to GND (ground = 0 V); $C_L = 50$ pF unless otherwise specified; for test circuit see [Figure 9](#).

Symbol	Parameter	Conditions	$T_{amb} = -40^{\circ}\text{C to } +85^{\circ}\text{C}$			$T_{amb} = -40^{\circ}\text{C to } +125^{\circ}\text{C}$		Unit
			Min	Typ ^[1]	Max	Min	Max	
74HC74								
t_{pd}	propagation delay	nCP to nQ, n \bar{Q} ; see Figure 7 ^[2]						
		$V_{CC} = 2.0$ V	-	47	220	-	265	ns
		$V_{CC} = 4.5$ V	-	17	44	-	53	ns
		$V_{CC} = 5$ V; $C_L = 15$ pF	-	14	-	-	-	ns
		$V_{CC} = 6.0$ V	-	14	37	-	45	ns
		nSD to nQ, n \bar{Q} ; see Figure 8 ^[2]						
		$V_{CC} = 2.0$ V	-	50	250	-	300	ns
		$V_{CC} = 4.5$ V	-	18	50	-	60	ns
		$V_{CC} = 5$ V; $C_L = 15$ pF	-	15	-	-	-	ns
		$V_{CC} = 6.0$ V	-	14	43	-	51	ns
		nRD to nQ, n \bar{Q} ; see Figure 8 ^[2]						
		$V_{CC} = 2.0$ V	-	52	250	-	300	ns
$V_{CC} = 4.5$ V	-	19	50	-	60	ns		
$V_{CC} = 5$ V; $C_L = 15$ pF	-	16	-	-	-	ns		
$V_{CC} = 6.0$ V	-	15	43	-	51	ns		
t_t	transition time	nQ, n \bar{Q} ; see Figure 7 ^[3]						
		$V_{CC} = 2.0$ V	-	19	95	-	110	ns
		$V_{CC} = 4.5$ V	-	7	19	-	22	ns
		$V_{CC} = 6.0$ V	-	6	16	-	19	ns
t_{pw}	pulse width	nCP HIGH or LOW; see Figure 7						
		$V_{CC} = 2.0$ V	100	19	-	120	-	ns
		$V_{CC} = 4.5$ V	20	7	-	24	-	ns
		$V_{CC} = 6.0$ V	17	6	-	20	-	ns
		nSD, nRD LOW; see Figure 8						
		$V_{CC} = 2.0$ V	100	19	-	120	-	ns
		$V_{CC} = 4.5$ V	20	7	-	24	-	ns
$V_{CC} = 6.0$ V	17	6	-	20	-	ns		
t_{rec}	recovery time	nSD, nRD; see Figure 8						
		$V_{CC} = 2.0$ V	40	3	-	45	-	ns
		$V_{CC} = 4.5$ V	8	1	-	9	-	ns
		$V_{CC} = 6.0$ V	7	1	-	8	-	ns

Table 8. Dynamic characteristics ...continued

Voltages are referenced to GND (ground = 0 V); $C_L = 50$ pF unless otherwise specified; for test circuit see [Figure 9](#).

Symbol	Parameter	Conditions	$T_{amb} = -40^{\circ}\text{C to }+85^{\circ}\text{C}$			$T_{amb} = -40^{\circ}\text{C to }+125^{\circ}\text{C}$		Unit
			Min	Typ ^[1]	Max	Min	Max	
t_{su}	set-up time	nD to nCP; see Figure 7						
		$V_{CC} = 2.0$ V	75	6	-	90	-	ns
		$V_{CC} = 4.5$ V	15	2	-	18	-	ns
		$V_{CC} = 6.0$ V	13	2	-	15	-	ns
t_h	hold time	nD to nCP; see Figure 7						
		$V_{CC} = 2.0$ V	3	-6	-	3	-	ns
		$V_{CC} = 4.5$ V	3	-2	-	3	-	ns
		$V_{CC} = 6.0$ V	3	-2	-	3	-	ns
f_{max}	maximum frequency	nCP; see Figure 7						
		$V_{CC} = 2.0$ V	4.8	23	-	4.0	-	MHz
		$V_{CC} = 4.5$ V	24	69	-	20	-	MHz
		$V_{CC} = 5$ V; $C_L = 15$ pF	-	76	-	-	-	MHz
		$V_{CC} = 6.0$ V	28	82	-	24	-	MHz
C_{PD}	power dissipation capacitance	$C_L = 50$ pF; $f = 1$ MHz; $V_I = \text{GND to } V_{CC}$ ^[4]	-	24	-	-	-	pF

74HCT74

t_{pd}	propagation delay	nCP to nQ, n \bar{Q} ; see Figure 7 ^[2]						
		$V_{CC} = 4.5$ V	-	18	44	-	53	ns
		$V_{CC} = 5$ V; $C_L = 15$ pF	-	15	-	-	-	ns
		nSD to nQ, n \bar{Q} ; see Figure 8 ^[2]						
		$V_{CC} = 4.5$ V	-	23	50	-	60	ns
		$V_{CC} = 5$ V; $C_L = 15$ pF	-	18	-	-	-	ns
		nRD to nQ, n \bar{Q} ; see Figure 8 ^[2]						
		$V_{CC} = 4.5$ V	-	24	50	-	60	ns
		$V_{CC} = 5$ V; $C_L = 15$ pF	-	18	-	-	-	ns
t_t	transition time	nQ, n \bar{Q} ; see Figure 7 ^[3]						
		$V_{CC} = 4.5$ V	-	7	19	-	22	ns
t_w	pulse width	nCP HIGH or LOW; see Figure 7						
		$V_{CC} = 4.5$ V	23	9	-	27	-	ns
		nSD, nRD LOW; see Figure 8						
		$V_{CC} = 4.5$ V	20	9	-	24	-	ns
t_{rec}	recovery time	nSD, nRD; see Figure 8						
		$V_{CC} = 4.5$ V	8	1	-	9	-	ns
t_{su}	set-up time	nD to nCP; see Figure 7						
		$V_{CC} = 4.5$ V	15	5	-	18	-	ns

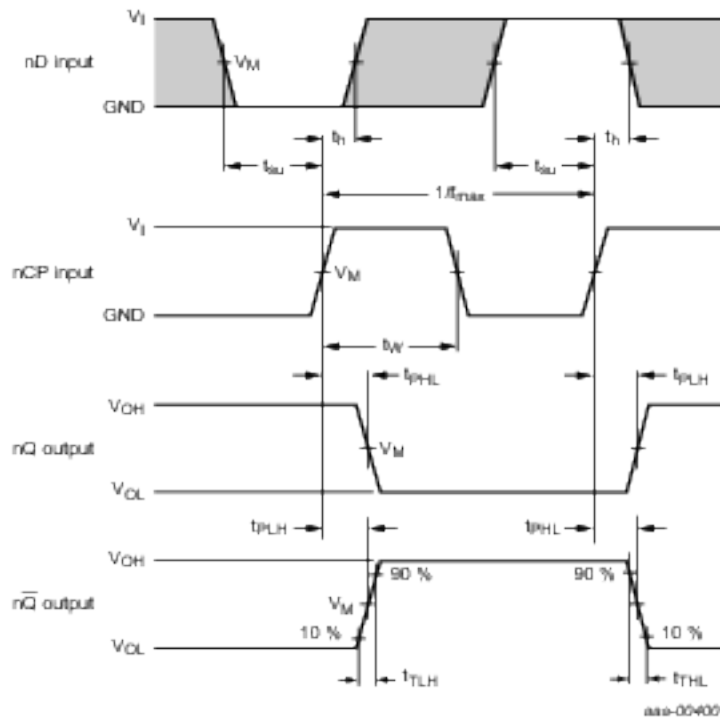
Table 8. Dynamic characteristics ...continued

Voltages are referenced to GND (ground = 0 V); $C_L = 50$ pF unless otherwise specified; for test circuit see [Figure 9](#).

Symbol	Parameter	Conditions	$T_{amb} = -40\text{ }^{\circ}\text{C to }+85\text{ }^{\circ}\text{C}$			$T_{amb} = -40\text{ }^{\circ}\text{C to }+125\text{ }^{\circ}\text{C}$		Unit
			Min	Typ ^[1]	Max	Min	Max	
t_h	hold time	nD to nCP; see Figure 7						
		$V_{CC} = 4.5$ V	3	-3	-	3	-	ns
f_{max}	maximum frequency	nCP; see Figure 7						
		$V_{CC} = 4.5$ V	22	54	-	18	-	MHz
		$V_{CC} = 5$ V; $C_L = 15$ pF	-	59	-	-	-	MHz
C_{PD}	power dissipation capacitance	$C_L = 50$ pF; $f = 1$ MHz; $V_I = \text{GND to } V_{CC} - 1.5$ V ^[4]	-	29	-	-	-	pF

- [1] All typical values are measured at $T_{amb} = 25\text{ }^{\circ}\text{C}$.
- [2] t_{pd} is the same as t_{PLH} and t_{PHL} .
- [3] t_i is the same as t_{THL} and t_{TLH} .
- [4] C_{PD} is used to determine the dynamic power dissipation (P_D in μW).
 $P_D = C_{PD} \times V_{CC}^2 \times f_i \times N + \sum(C_L \times V_{CC}^2 \times f_o)$ where:
 f_i = input frequency in MHz;
 f_o = output frequency in MHz;
 C_L = output load capacitance in pF;
 V_{CC} = supply voltage in V;
 N = number of inputs switching;
 $\sum(C_L \times V_{CC}^2 \times f_o)$ = sum of outputs.

11. Waveforms



Measurement points are given in [Table 9](#).

V_{OL} and V_{OH} are typical voltage output levels that occur with the output load.

Fig 7. Input to output propagation delay, output transition time, clock input pulse width and maximum frequency

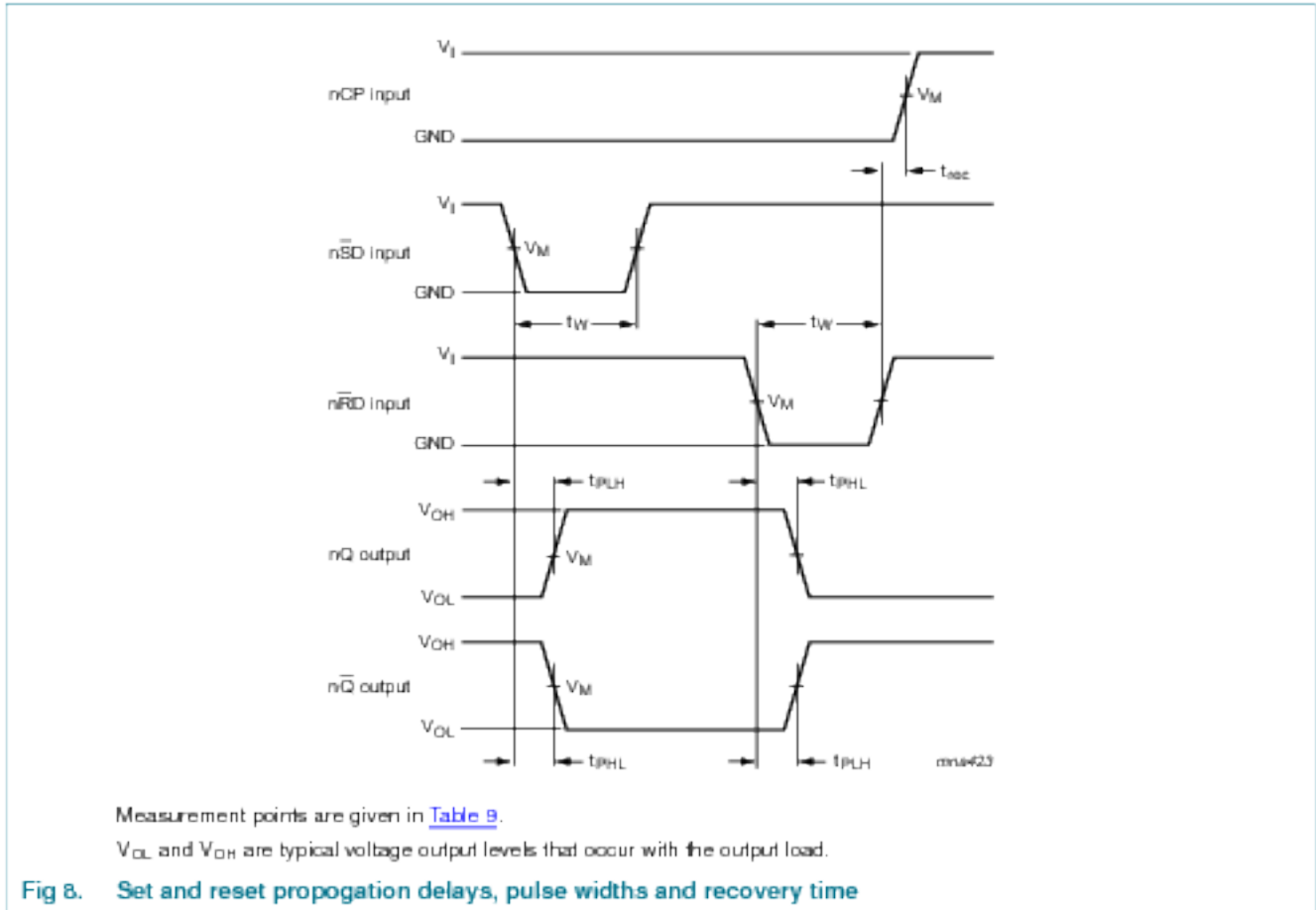
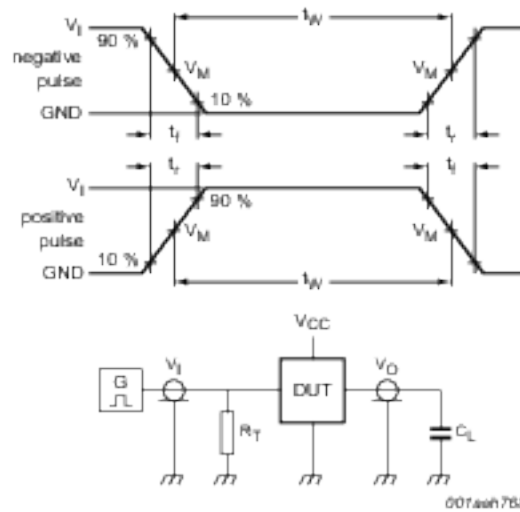


Table 9. Measurement points

Type	Input	Output
	V_M	V_M
74HC74	$0.5V_{CC}$	$0.5V_{CC}$
74HCT74	1.3 V	1.3 V



Test data is given in [Table 10](#).

Definitions test circuit:

R_T = Termination resistance should be equal to output impedance Z_o of the pulse generator.

C_L = Load capacitance including jig and probe capacitance.

R_L = Load resistance.

S1 = Test selection switch.

Fig 9. Test circuit for measuring switching times

Table 10. Test data

Type	Input		Load		Test
	V_I	t_r, t_f	C_L	R_L	
74HC74	V_{CC}	6 ns	15 pF, 50 pF	1 k Ω	t_{PLH}, t_{PHL}
74HCT74	3 V	6 ns	15 pF, 50 pF	1 k Ω	t_{PLH}, t_{PHL}

12. Package outline

SO14: plastic small outline package; 14 leads; body width 3.9 mm

SOT108-1

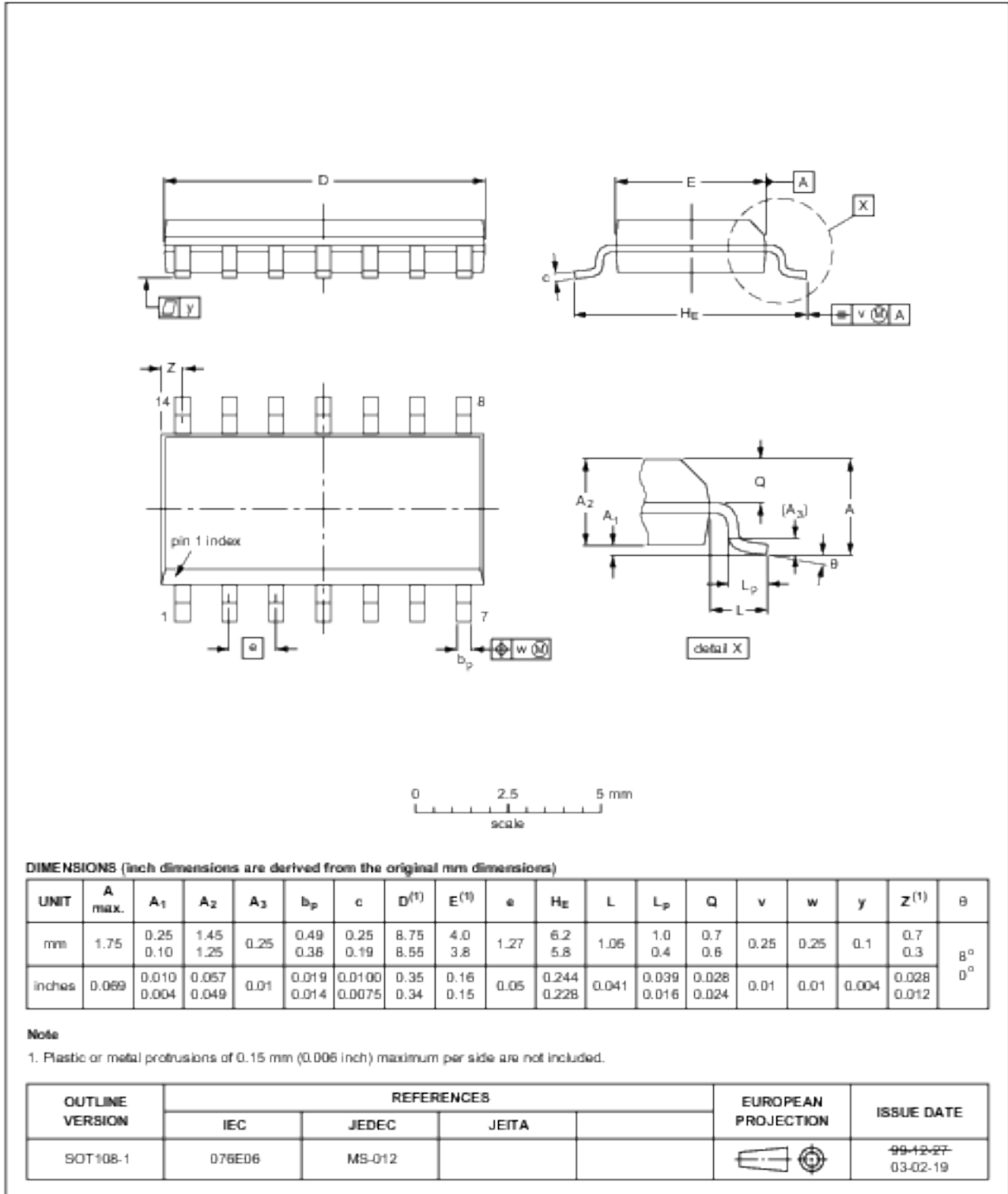


Fig 10. Package outline SOT108-1 (SO14)

SSOP14: plastic shrink small outline package; 14 leads; body width 5.3 mm

SOT337-1

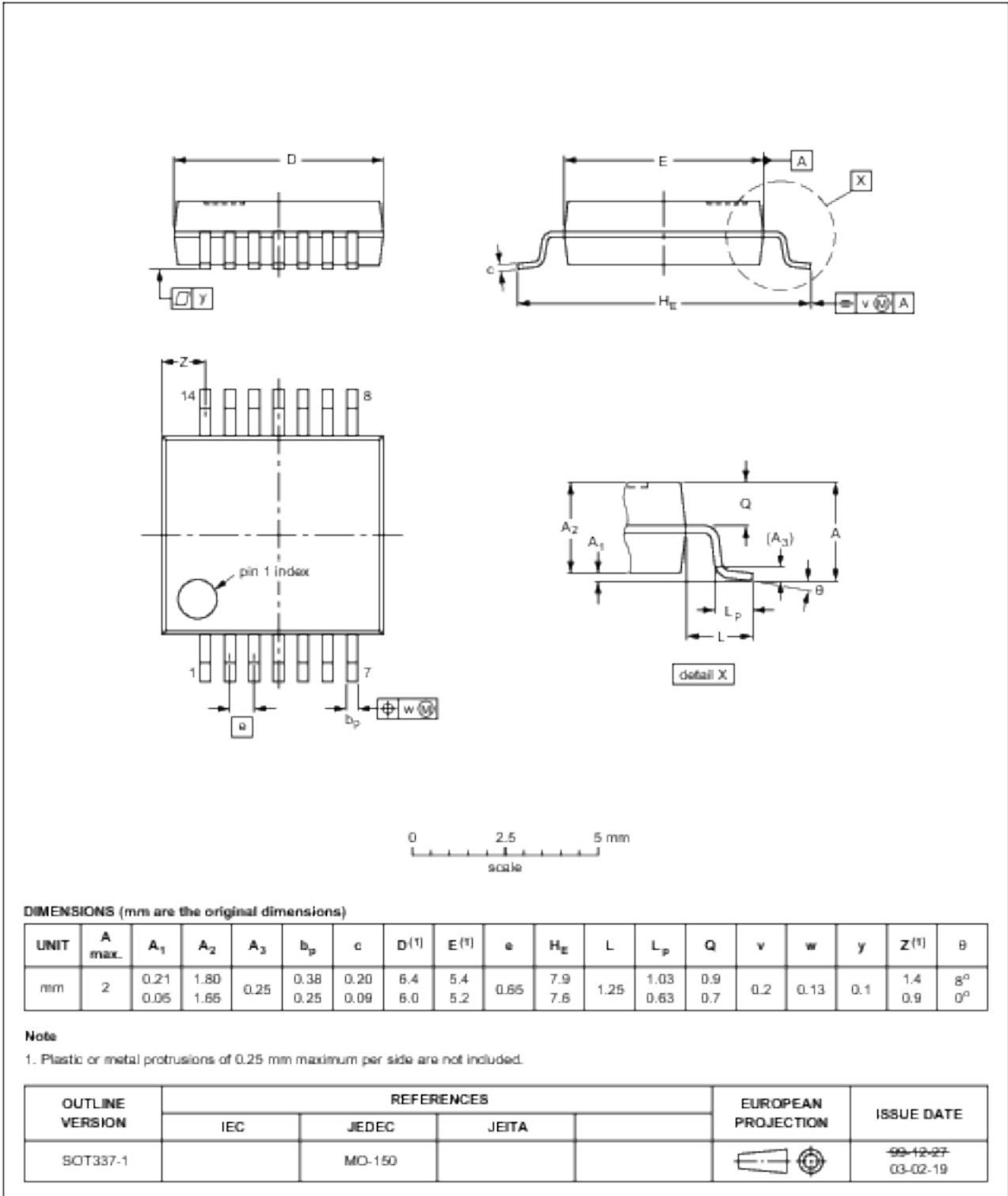


Fig 11. Package outline SOT337-1 (SSOP14)

TSSOP14: plastic thin shrink small outline package; 14 leads; body width 4.4 mm

SOT402-1

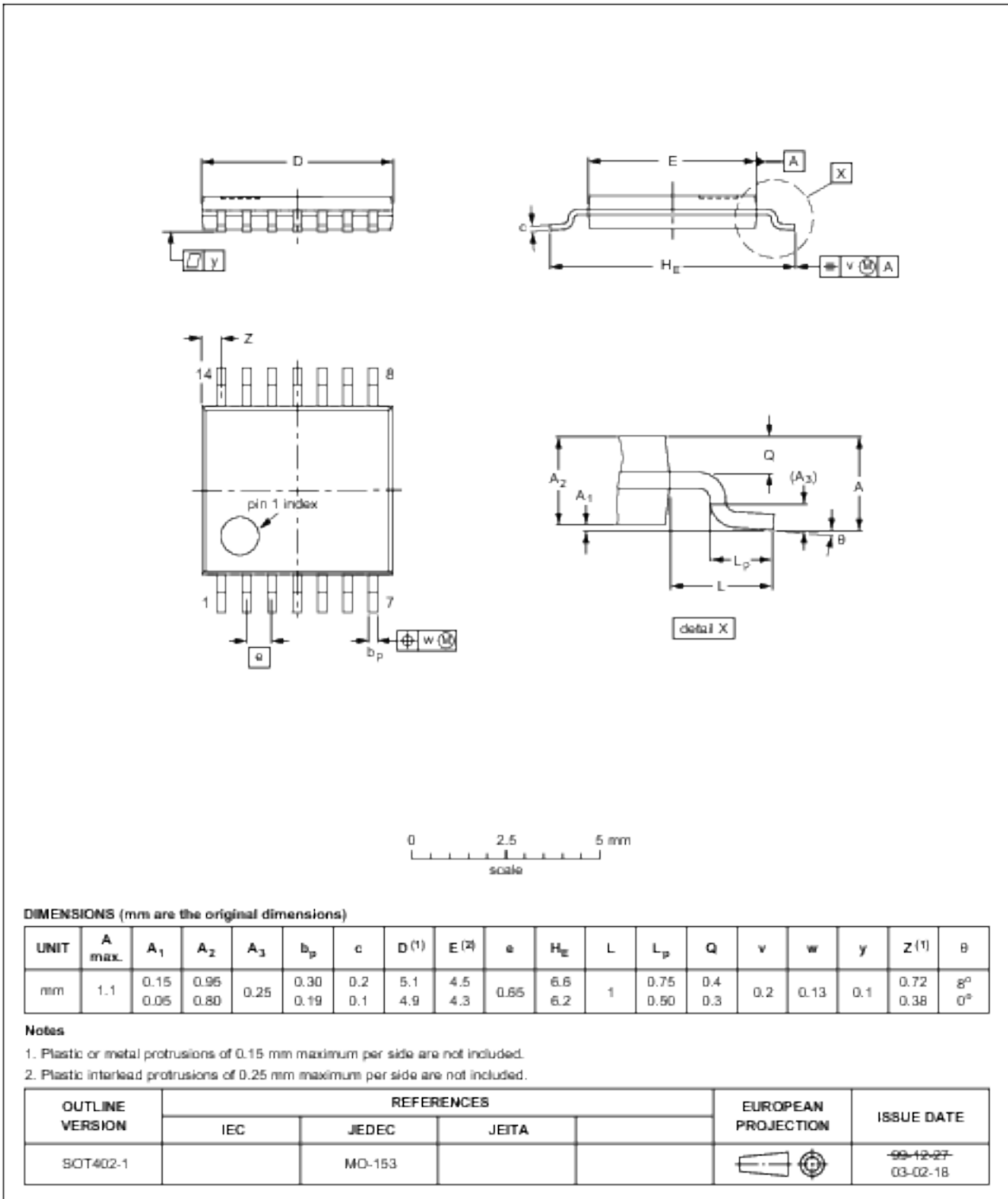


Fig 12. Package outline SOT402-1 (TSSOP14)

DHVQFN14: plastic dual in-line compatible thermal enhanced very thin quad flat package; no leads;
14 terminals; body 2.5 x 3 x 0.85 mm

SOT762-1

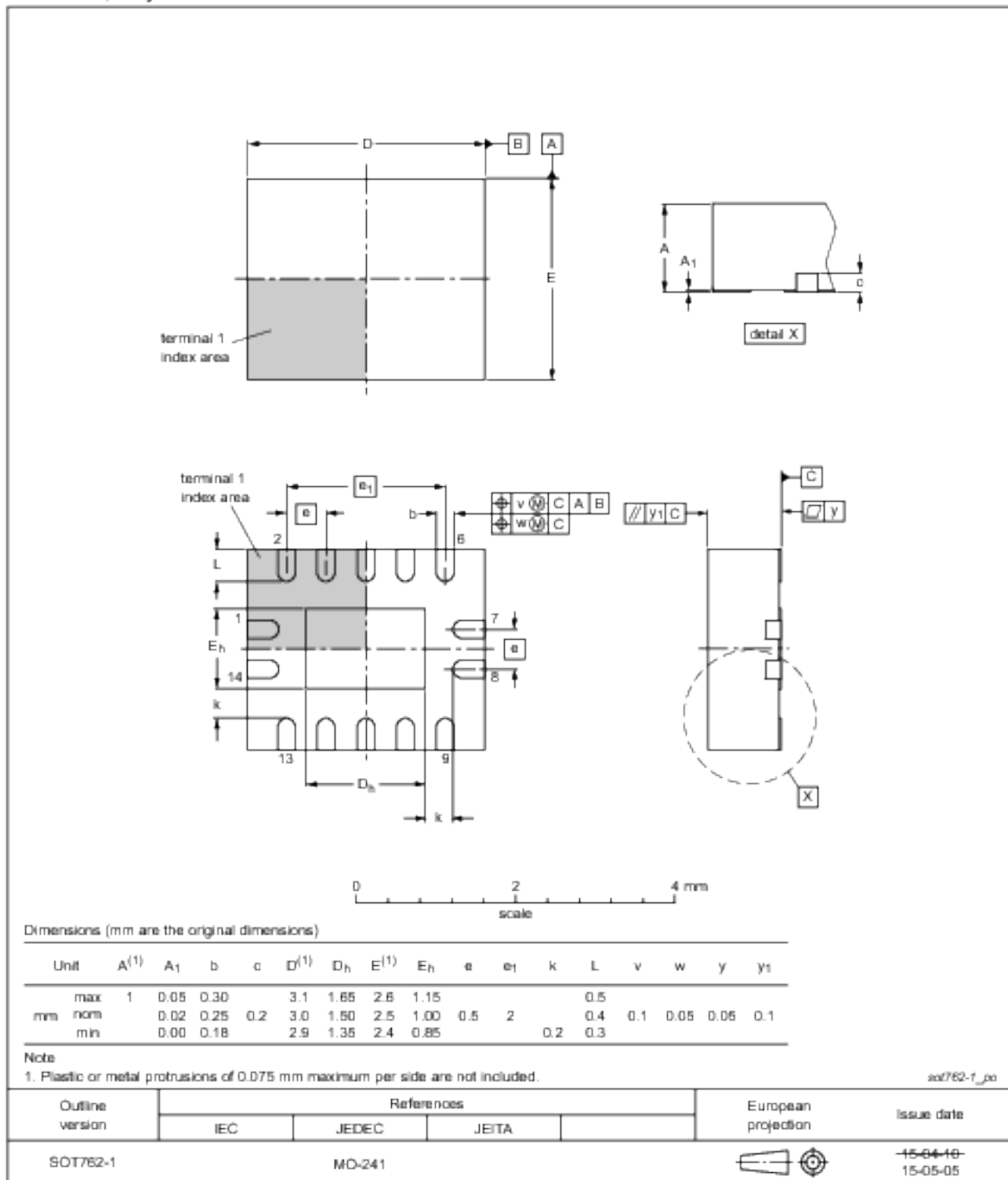


Fig 13. Package outline SOT762-1 (DHVQFN14)

13. Abbreviations

Table 11. Abbreviations

Acronym	Description
CMOS	Complementary Metal Oxide Semiconductor
ESD	ElectroStatic Discharge
HBM	Human Body Model
MM	Machine Model
TTL	Transistor-Transistor Logic

14. Revision history

Table 12. Revision history

Document ID	Release date	Data sheet status	Change notice	Supersedes
74HC_HCT74 v.5	20151203	Product data sheet	-	74HC_HCT74 v.4
Modifications:	<ul style="list-style-type: none"> Type numbers 74HC74N and 74HCT74N (SOT27-1) removed. 			
74HC_HCT74 v.4	20120827	Product data sheet	-	74HC_HCT74 v.3
Modifications:	<ul style="list-style-type: none"> The format of this data sheet has been redesigned to comply with the new identity guidelines of NXP Semiconductors. Legal texts have been adapted to the new company name where appropriate. 			
74HC_HCT74 v.3	20030710	Product data sheet	-	74HC_HCT74_CNV v.2
74HC_HCT74_CNV v.2	19980223	Product specification	-	-

15. Legal information

15.1 Data sheet status

Document status ^[1]	Product status ^[2]	Definition
Objective [short] data sheet	Development	This document contains data from the objective specification for product development.
Preliminary [short] data sheet	Qualification	This document contains data from the preliminary specification.
Product [short] data sheet	Production	This document contains the product specification.

[1] Please consult the most recently issued document before initiating or completing a design.

[2] The term 'short data sheet' is explained in section "Definitions".

[3] The product status of device(s) described in this document may have changed since this document was published and may differ in case of multiple devices. The latest product status information is available on the Internet at URL <http://www.nxp.com>.

15.2 Definitions

Draft — The document is a draft version only. The content is still under internal review and subject to formal approval, which may result in modifications or additions. NXP Semiconductors does not give any representations or warranties as to the accuracy or completeness of information included herein and shall have no liability for the consequences of use of such information.

Short data sheet — A short data sheet is an extract from a full data sheet with the same product type number(s) and title. A short data sheet is intended for quick reference only and should not be relied upon to contain detailed and full information. For detailed and full information see the relevant full data sheet, which is available on request via the local NXP Semiconductors sales office. In case of any inconsistency or conflict with the short data sheet, the full data sheet shall prevail.

Product specification — The information and data provided in a Product data sheet shall define the specification of the product as agreed between NXP Semiconductors and its customer, unless NXP Semiconductors and customer have explicitly agreed otherwise in writing. In no event however, shall an agreement be valid in which the NXP Semiconductors product is deemed to offer functions and qualities beyond those described in the Product data sheet.

15.3 Disclaimers

Limited warranty and liability — Information in this document is believed to be accurate and reliable. However, NXP Semiconductors does not give any representations or warranties, expressed or implied, as to the accuracy or completeness of such information and shall have no liability for the consequences of use of such information. NXP Semiconductors takes no responsibility for the content in this document if provided by an information source outside of NXP Semiconductors.

In no event shall NXP Semiconductors be liable for any indirect, incidental, punitive, special or consequential damages (including - without limitation - lost profits, lost savings, business interruption, costs related to the removal or replacement of any products or rework charges) whether or not such damages are based on tort (including negligence), warranty, breach of contract or any other legal theory.

Notwithstanding any damages that customer might incur for any reason whatsoever, NXP Semiconductors' aggregate and cumulative liability towards customer for the products described herein shall be limited in accordance with the Terms and conditions of commercial sale of NXP Semiconductors.

Right to make changes — NXP Semiconductors reserves the right to make changes to information published in this document, including without limitation specifications and product descriptions, at any time and without notice. This document supersedes and replaces all information supplied prior to the publication hereof.

Suitability for use — NXP Semiconductors products are not designed, authorized or warranted to be suitable for use in life support, life-critical or safety-critical systems or equipment, nor in applications where failure or malfunction of an NXP Semiconductors product can reasonably be expected to result in personal injury, death or severe property or environmental damage. NXP Semiconductors and its suppliers accept no liability for inclusion and/or use of NXP Semiconductors products in such equipment or applications and therefore such inclusion and/or use is at the customer's own risk.

Applications — Applications that are described herein for any of these products are for illustrative purposes only. NXP Semiconductors makes no representation or warranty that such applications will be suitable for the specified use without further testing or modification.

Customers are responsible for the design and operation of their applications and products using NXP Semiconductors products, and NXP Semiconductors accepts no liability for any assistance with applications or customer product design. It is customer's sole responsibility to determine whether the NXP Semiconductors product is suitable and fit for the customer's applications and products planned, as well as for the planned application and use of customer's third party customer(s). Customers should provide appropriate design and operating safeguards to minimize the risks associated with their applications and products.

NXP Semiconductors does not accept any liability related to any default, damage, costs or problem which is based on any weakness or default in the customer's applications or products, or the application or use by customer's third party customer(s). Customer is responsible for doing all necessary testing for the customer's applications and products using NXP Semiconductors products in order to avoid a default of the applications and the products or of the application or use by customer's third party customer(s). NXP does not accept any liability in this respect.

Limiting values — Stress above one or more limiting values (as defined in the Absolute Maximum Ratings System of IEC 60134) will cause permanent damage to the device. Limiting values are stress ratings only and (proper) operation of the device at these or any other conditions above those given in the Recommended operating conditions section (if present) or the Characteristics sections of this document is not warranted. Constant or repeated exposure to limiting values will permanently and irreversibly affect the quality and reliability of the device.

Terms and conditions of commercial sale — NXP Semiconductors products are sold subject to the general terms and conditions of commercial sale, as published at <http://www.nxp.com/profile/terms>, unless otherwise agreed in a valid written individual agreement. In case an individual agreement is concluded only the terms and conditions of the respective agreement shall apply. NXP Semiconductors hereby expressly objects to applying the customer's general terms and conditions with regard to the purchase of NXP Semiconductors products by customer.

No offer to sell or license — Nothing in this document may be interpreted or construed as an offer to sell products that is open for acceptance or the grant, conveyance or implication of any license under any copyrights, patents or other industrial or intellectual property rights.

Export control — This document as well as the item(s) described herein may be subject to export control regulations. Export might require a prior authorization from competent authorities.

Non-automotive qualified products — Unless this data sheet expressly states that this specific NXP Semiconductors product is automotive qualified, the product is not suitable for automotive use. It is neither qualified nor tested in accordance with automotive testing or application requirements. NXP Semiconductors accepts no liability for inclusion and/or use of non-automotive qualified products in automotive equipment or applications.

In the event that customer uses the product for design-in and use in automotive applications to automotive specifications and standards, customer (a) shall use the product without NXP Semiconductors' warranty of the product for such automotive applications, use and specifications, and (b) whenever customer uses the product for automotive applications beyond

NXP Semiconductors' specifications such use shall be solely at customer's own risk, and (c) customer fully indemnifies NXP Semiconductors for any liability, damages or failed product claims resulting from customer design and use of the product for automotive applications beyond NXP Semiconductors' standard warranty and NXP Semiconductors' product specifications.

Translations — A non-English (translated) version of a document is for reference only. The English version shall prevail in case of any discrepancy between the translated and English versions.

15.4 Trademarks

Notice: All referenced brands, product names, service names and trademarks are the property of their respective owners.

16. Contact information

For more information, please visit: <http://www.nxp.com>

For sales office addresses, please send an email to: salesaddresses@nxp.com

17. Contents

1	General description	1
2	Features and benefits	1
3	Ordering information	1
4	Functional diagram	2
5	Pinning information	3
5.1	Pinning	3
5.2	Pin description	3
6	Functional description	4
7	Limiting values	4
8	Recommended operating conditions	5
9	Static characteristics	5
10	Dynamic characteristics	7
11	Waveforms	10
12	Package outline	13
13	Abbreviations	17
14	Revision history	17
15	Legal information	18
15.1	Data sheet status	18
15.2	Definitions	18
15.3	Disclaimers	18
15.4	Trademarks	19
16	Contact information	19
17	Contents	20

Please be aware that important notices concerning this document and the product(s) described herein, have been included in section 'Legal information'.

© NXP Semiconductors N.V. 2015.

All rights reserved.

For more information, please visit: <http://www.nxp.com>

For sales office addresses, please send an email to: salesaddresses@nxp.com

Date of release: 3 December 2015

Document identifier: 74HC_HCT74