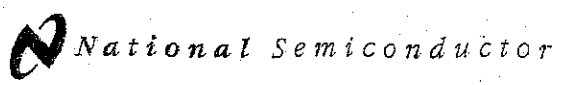


$$\text{line } (x_1, y_1) - (x_2, y_2), , B$$



March 1991

DM74LS123 Dual Retriggerable One-Shot with Clear and Complementary Outputs

General Description

The DM74LS123 is a dual retriggerable monostable multivibrator capable of generating output pulses from a few nanoseconds to extremely long duration up to 100% duty cycle. Each device has three inputs permitting the choice of either leading edge or trailing edge triggering. Pin (A) is an active-low transition trigger input and pin (B) is an active-high transition trigger input. The clear (CLR) input terminates the output pulse at a predetermined time independent of the timing components. The clear input also serves as a trigger input when it is pulsed with a low level pulse transition (L \rightarrow L). To obtain the best trouble free operation from this device please read the operating rules as well as the NSC one-shot application notes carefully and observe recommendations.

- Compensated for V_{CC} and temperature variations
- Triggerable from CLEAR input
- DTL, TTL compatible
- Input clamp diodes

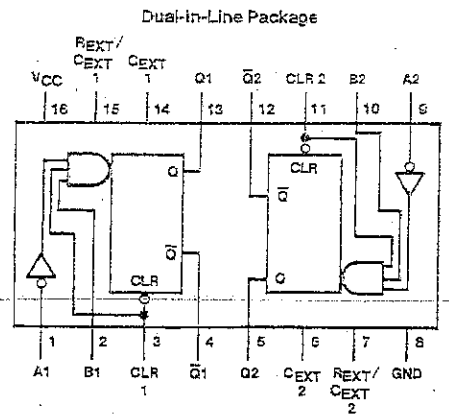
Functional Description

The basic output pulse width is determined by selection of an external resistor (R_x) and capacitor (C_x). Once triggered, the basic pulse width may be extended by retriggering the gated active-low transition or active-high transition inputs or be reduced by use of the active-low or CLEAR input. Retriggering to 100% duty cycle is possible by application of an input pulse train whose cycle time is shorter than the output cycle time such that a continuous "HIGH" logic state is maintained at the "Q" output.

Features

- DC triggered from active-high transition or active-low transition inputs
- Retriggerable to 100% duty cycle

Connection Diagram



Function Table

CLEAR	Inputs		Outputs	
	A	B	Q	Q̄
L	X	X	L	H
X	H	X	L	H
X	X	L	L	H
H	L	↑	↑	↓
H	↓	H	↓	↑
↑	L	H	↑	↓

- H = High Logic Level
- L = Low Logic Level
- X = Can Be Either Low or High
- ↑ = Positive Going Transition
- ↓ = Negative Going Transition
- ↑ = A Positive Pulse
- ↓ = A Negative Pulse

Order Number DM74LS123M or DM74LS123N
See NS Package Number M16A or N16E

DM74LS123 Dual Retriggerable One-Shot with Clear and Complementary Outputs

©1995 National Semiconductor Corporation

HRD-830M105/Printed in U.S.A.

