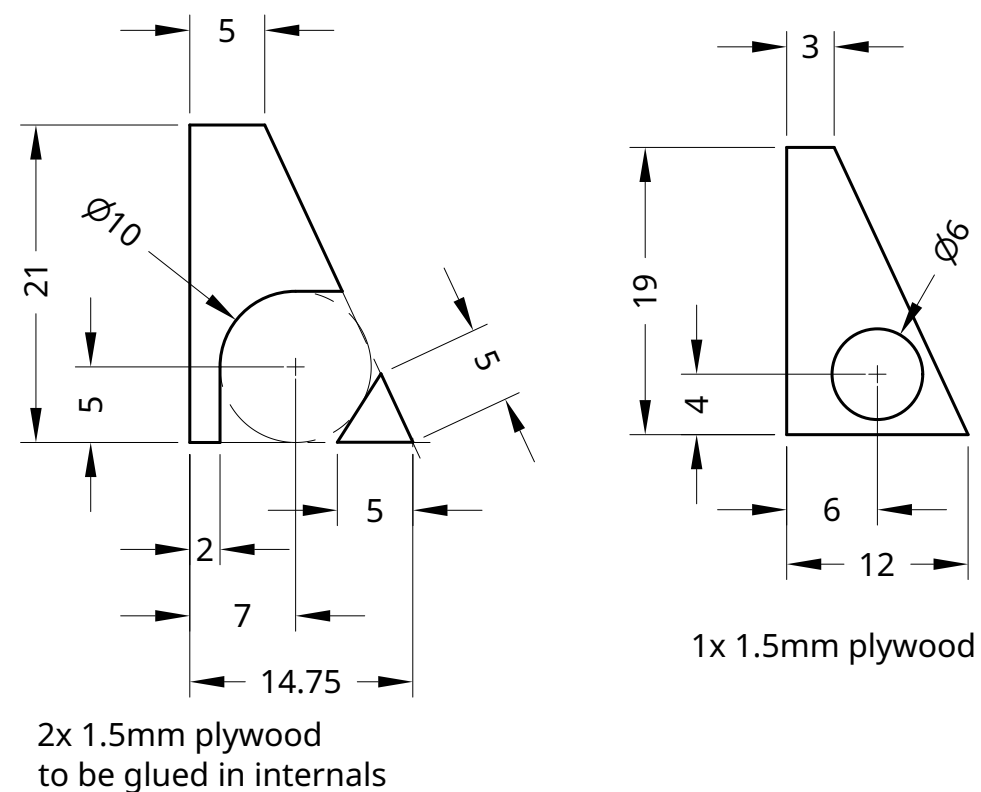


- 1x Classic bicycle "Dunlop" valve stem
- 2x Valve nut
- 1x M8 Washer
- 1x O-ring Ø7-Ø15
- 1x 3.5mm 3-pole plug
- 1x 6.35mm 3-pole plug
- 1x Ø6 electrical wire 3x0.75mm²
- 1x 3.5mm tubestyle 3-pole socket with nut
- shrink tube
- epoxy



UNLESS OTHERWISE SPECIFIED, DIMENSIONS ARE IN MILLIMETERS		NAME	DATE	TITLE Power Data Input ---- Fish Feeder 2		
ANGULAR = ± °		DRAWN	Ben1998			01/14/2018
SURFACE FINISH		CHECKED				
DO NOT SCALE DRAWING		APPROVED				
BREAK ALL SHARP EDGES AND REMOVE BURRS					SIZE B	
THIRD ANGLE PROJECTION		MATERIAL	FINISH		DWG NO.	
					SCALE 2:1	
					WEIGHT	
					SHEET 1 of 1	
					REV. -	