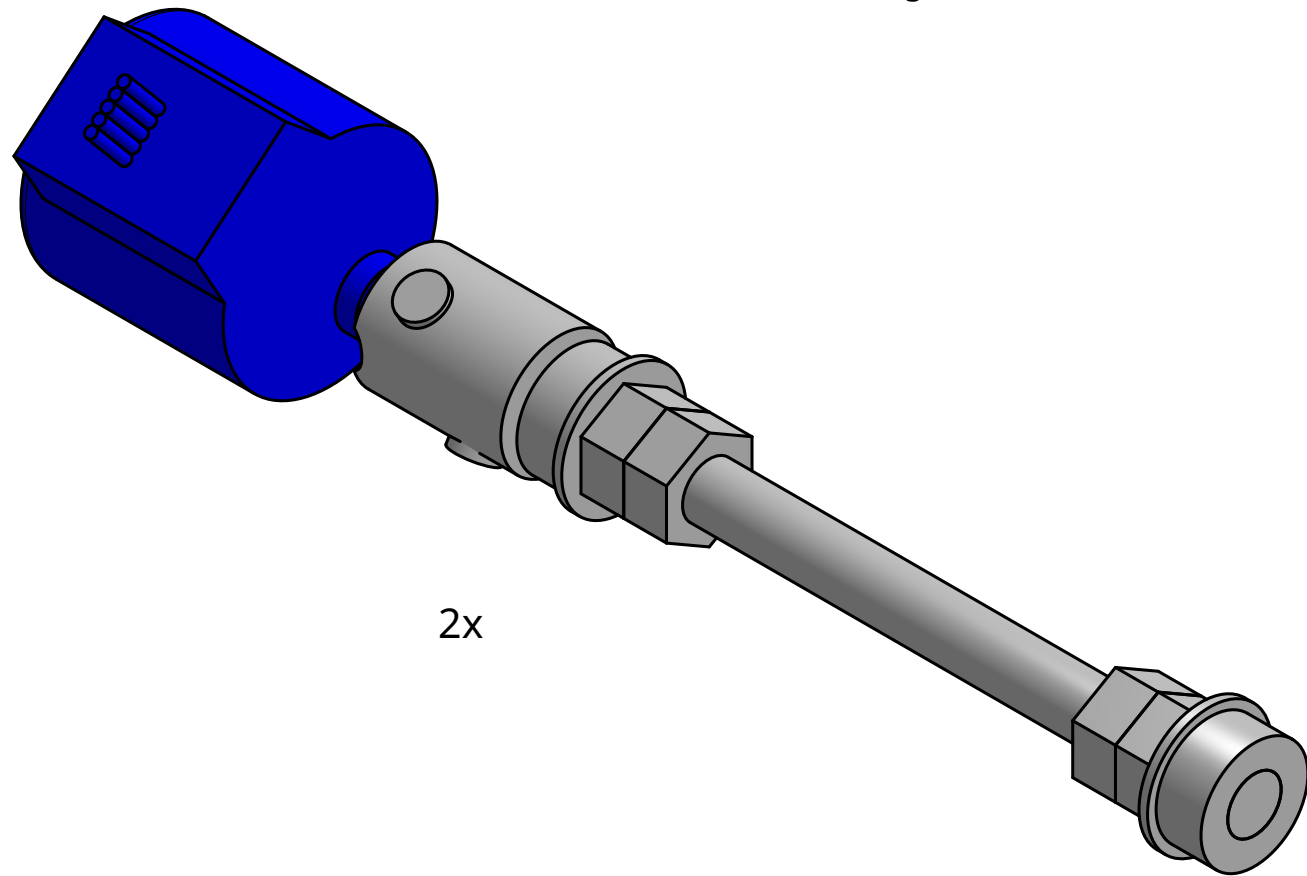
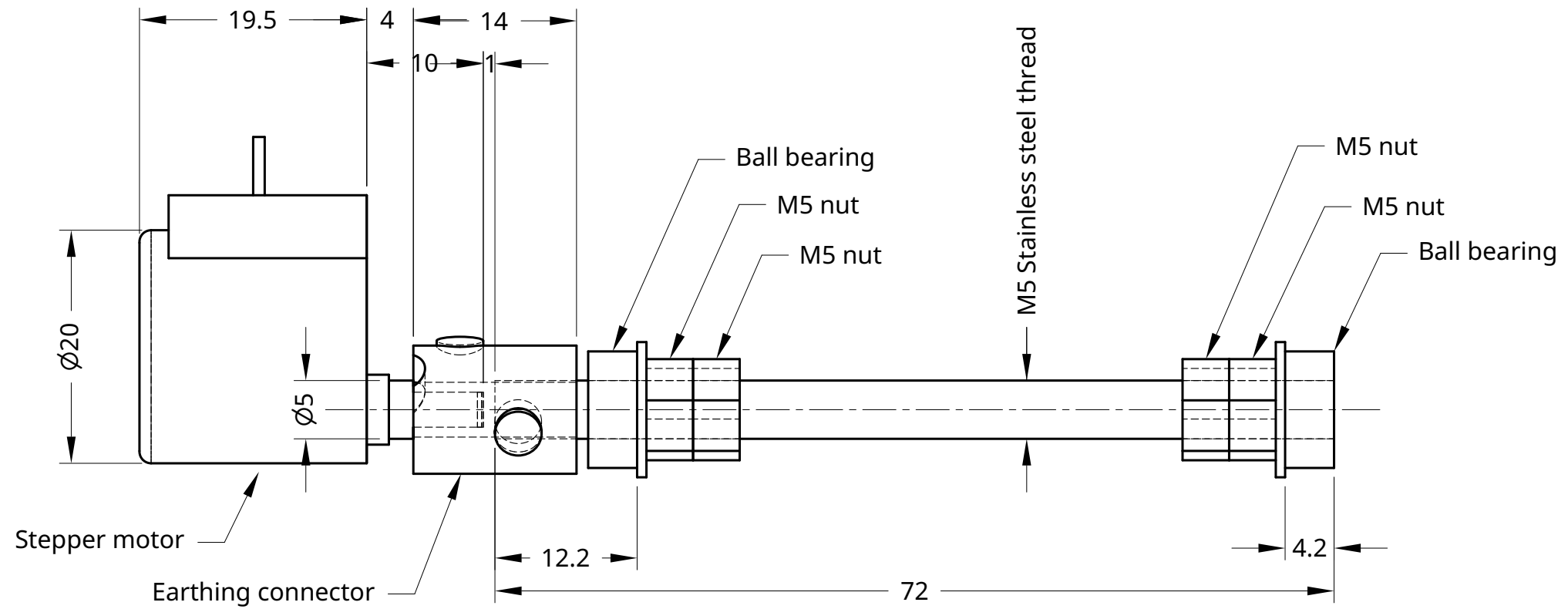
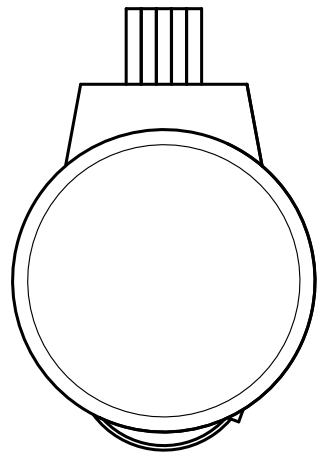


4

3

2

1



2x

- 2x M5 Stainless steel thread
- 8x M5 Stainless steel nuts
- 1x Nikkel plated earthing connector
- 4x Ball bearings MF105 ZZ 5x10x4
- 2x Stepper motor 20BYJ46
- Shrink tube

UNLESS OTHERWISE SPECIFIED, DIMENSIONS ARE IN MILLIMETERS		NAME	DATE	TITLE <b>2x Linear Actuator</b> ---- <b>Fish Feeder 2</b>		
ANGULAR = ± °	DRAWN	Ben1998	01/14/2018			
SURFACE FINISH	CHECKED					
DO NOT SCALE DRAWING	APPROVED					
BREAK ALL SHARP EDGES AND REMOVE BURRS	MATERIAL	FINISH		SIZE <b>B</b>	DWG NO. ----	
THIRD ANGLE PROJECTION					SCALE 2:1	WEIGHT
					SHEET 1 of 1	REV. -

4

3

2

1

D

D

C

C

B

B

A

A