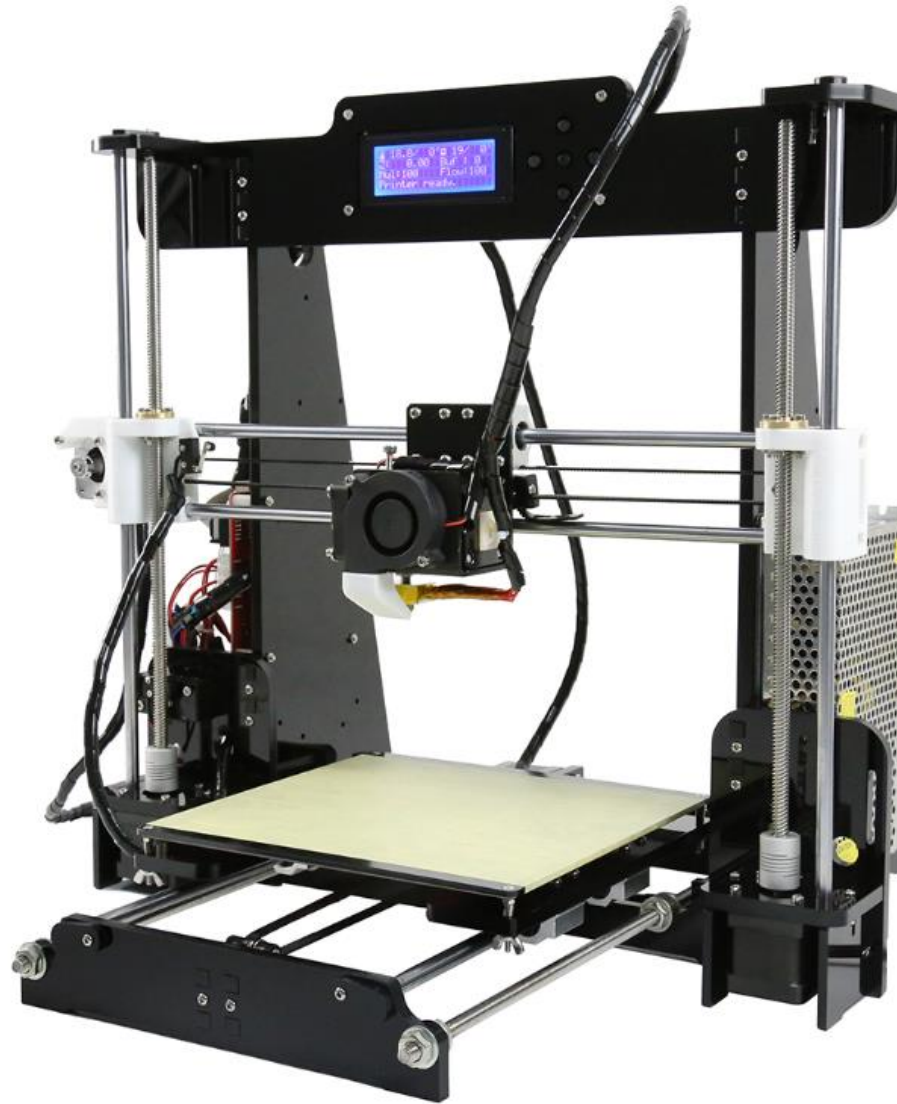


# A8 3D Printer Installation Guide



# A8 Assembly Instructions

## **Attention:**















- 1. Please make sure the package not broken when you receive it.**
- 2. Please check the printer parts according to the packing list.**
- 3. Please contact your supplier if any questions.**

# A8 assembly parts list 1








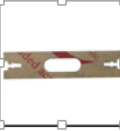






## 3D Printer A8 assembly parts list

Item	Material number	Picture	Name	QTY	Item	Material number	Picture	Name	QTY
1-1	1700100001		Hot bed fixed aluminum plate	1	2-1	1700200004		Mainboard	1
1-2	1700200001		220mm*220mm*3mm Hot bed	1	2-2	1700300005		Left Z axis nut support	1
1-3	1101900001		Plastic nippers	1	2-3	1700300006		Right Z axis nut support	1
1-4			1.5M Power line	1	2-4	1300300001		Wind mouth	1
1-5	1101900008		5mm*160mm Screwdriver	1	2-5	1700300001		1.7M Belt	1
1-6	1700200002		Four parts below in this bag	1	2-6	1202200007		1.5M wire	1















# A8 assembly parts list 2

Item	Picture	Name	QTY	Check	Item	Picture	Name	QTY	Check
1-6-1		40*10 Fan	1		2-7		5015 Air blower	1	
1-6-2		40*11 Cooling fin	1		2-8		Y axis belt bearing support	1	
1-6-3		Fan cover	1		2-9		Seven parts below in this bag	1	
1-6-4		M3*45 Screw 2pcs M3 Spacer 8pcs	1		2-9-1		Z axis Limit switch fixed plate	2	
1-7		Screw bag include below screws	1		2-9-2		Y axis motor support	1	
1-7-1		M3*18 screw 50pcs	1		2-9-3		Y axis Limit switch fixed plate	1	
1-7-2		M3 Nut 60pcs	1		2-9-4		Y axis belt fixation clamp	2	











# A8 assembly parts list 3

Item	Picture	Name	QTY	Check	Item	Picture	Name	QTY	Check
1-7-3		M8 Nut 16pcs M8 Spacer 12pcs	1		2-9-5		Guide rod back up plate	6	
1-7-4		M4*8 screw 28pcs M4*14 screw 6pcs	1		2-10		Side support plate	2	
1-7-5		M3*30 screw 14pcs	1		2-11		Filament support plate	2	
1-7-6		M3*12 screw 15pcs	1		2-12		Filament support plate connecting plate	2	
1-7-7		M2*12 screw 4pcs wing nut 4pcs Spring 4pcs	1		2-13		Screen baffle plate	1	
1-7-8		M3*20 screw 4pcs M2.3*10screw 2pcs	1		2-14		Z axis motor support Plate	4	
1-8		Three parts below in this bag	1		2-15		8GB TF card and card reader	1	







# A8 assembly parts list 4

Item	Picture	Name	QTY	Check	Item	Picture	Name	QTY	Check
1-8-1		Wire 70CM	1		3-1		Bottom support plate	1	
1-8-2		Z axis Limit switch A 20CM X axis Limit switch B 55CM Y axis Limit switch C 70CM	3		3-2		Top support plate	1	
1-8-3		Pillar washer M3*7 4pcs Pillar washer M3*15 4pcs	8		3-3		Back plate	1	
1-9		Three parts below in this bag	1		3-4		Front plate	1	
1-9-1		3mm*130mm Screwdriver	1		3-5		Support plate lock plate	2	
1-9-2		Hex wrench M1.5 Hex wrench M2 Hex wrench M2.5 Hex wrench M3	4		3-6		Z axis motor fixed plate	2	
1-9-3		Open spanner	1		3-7		Y axis motor fixed plate	1	

# A8 assembly parts list 5

Item	Picture	Name	QTY	Check	Item	Picture	Name	QTY	Check
1-10		Four parts below in this bag	1		3-8		Extruder	1	
1-10-1		4.5M Winding pipe	1		3-9		X axis motor	1	
1-10-2		Belting	10		3-10		Y axis motor	1	
1-10-3		R clip	3		3-11		Z axis motor	2	
1-10-4		Locating piece	2		3-12		Linear bearing	7	

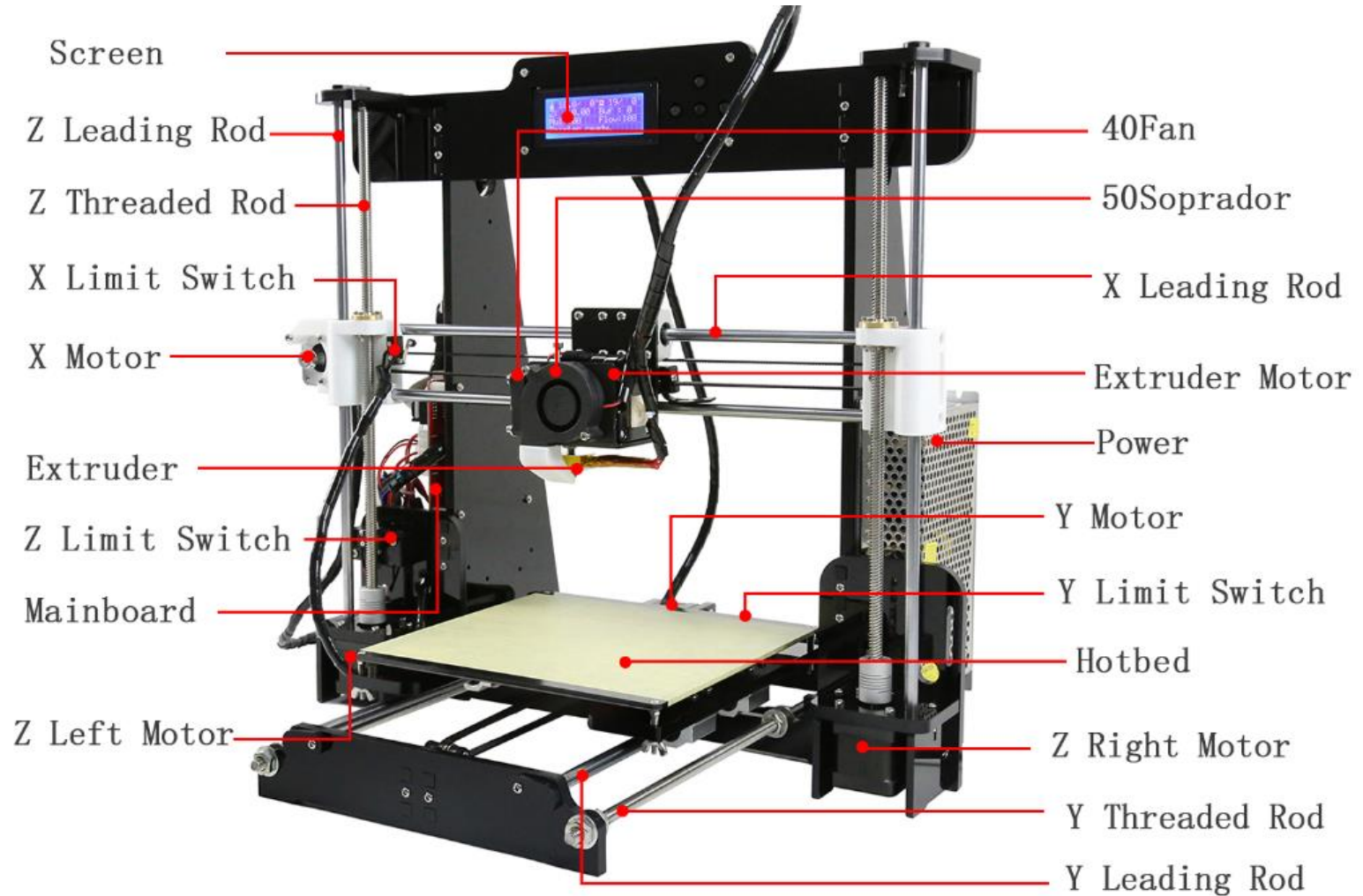
# A8 assembly parts list 6

Item	Picture	Name	QTY	Check	Item	Picture	Name	QTY	Check
1-11		LCD 2004 screen	1		3-13		Guide rod 436mm 2pcs Guide rod 380mm 4pcs	6	
1-12		X Motor line 40CM Y Motor line 40CM Left Z Motor line 40CM Right Z Motor line 90CM Extruder Motor line 90CM	5		3-14		T type lead screw M8*345mm 2pcs Threaded rod M8*400mm 2pcs Threaded rod M8*150mm 1pcs	5	
1-13		Heat bed line 90CM	1		3-15		Power Supply	1	

**Please check printer parts quantity when you receive it .**



# Name of each printer part



# Assembly Step 1

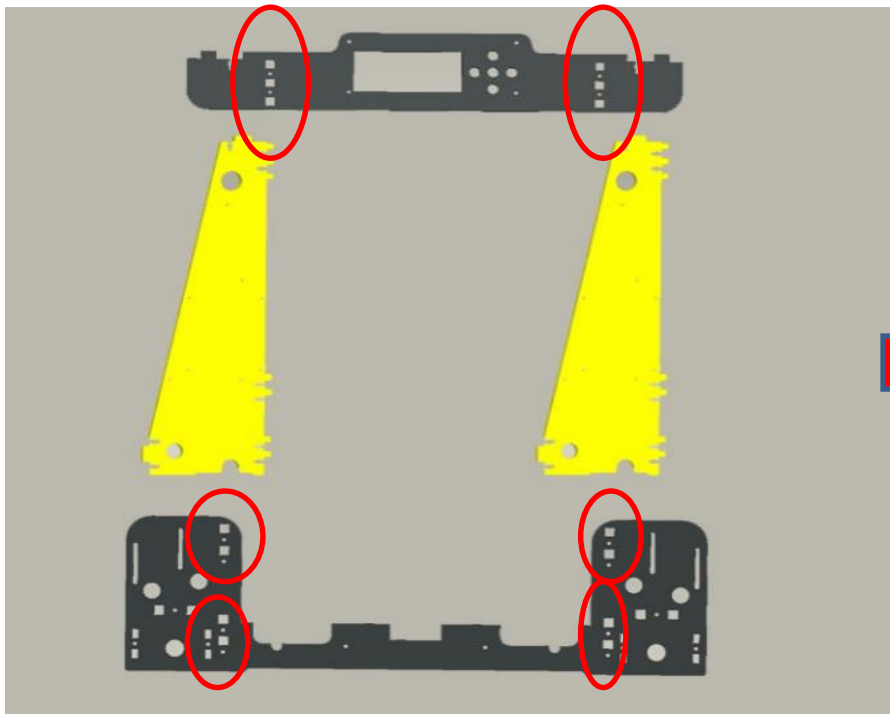
Please be aware the screw holes is in red circles

Name and Qty. of printer parts

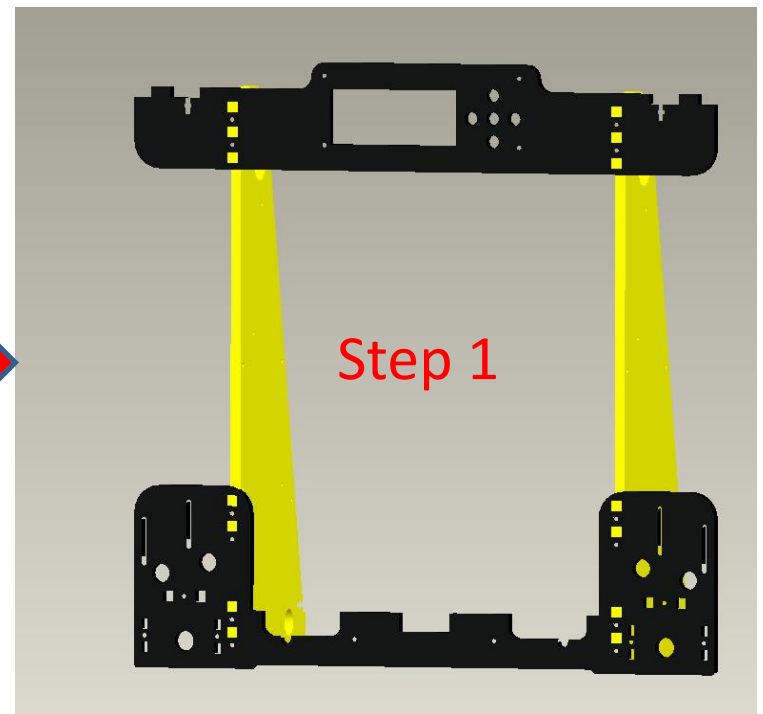
Item	Name of parts	QTY.
1	Bottom support plate	1
2	Top support plate	1
3	Side support plate	2
4	M3*18 Screw	12
5	M3 Nut	12



## Before Assembly



## After Assembly



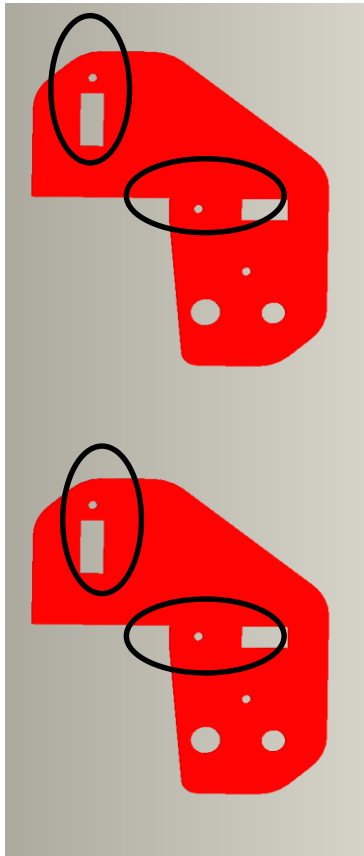
# Assembly Step 2

Please be aware the screw holes is in black circles

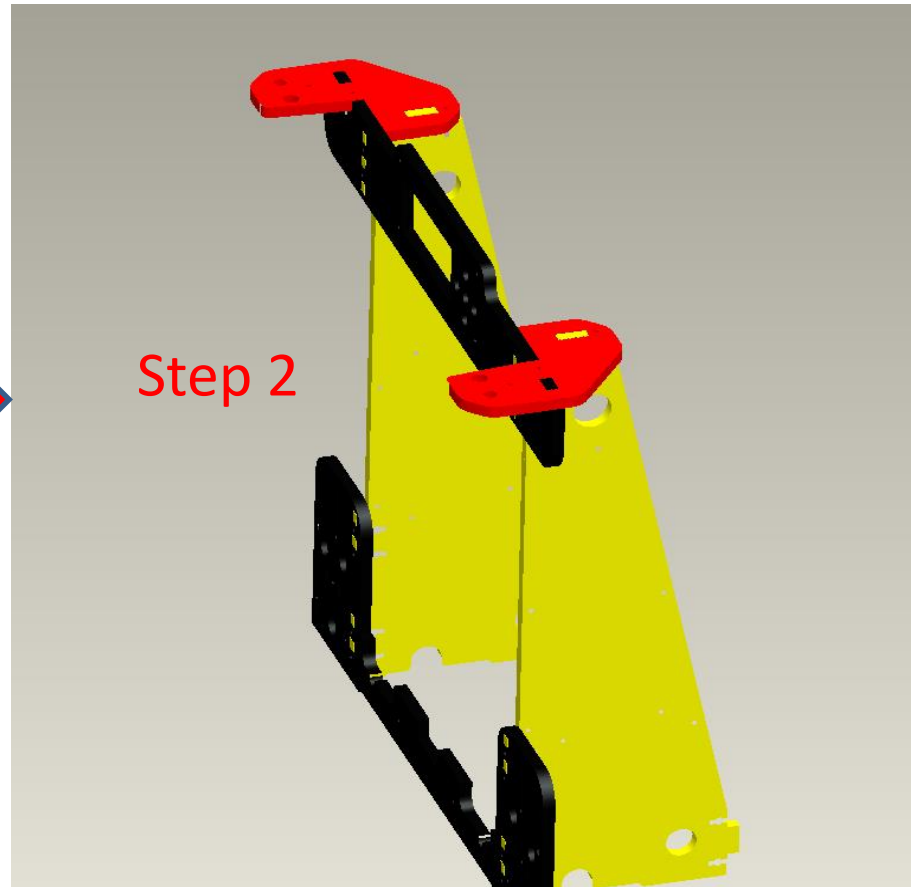


Name and Qty. of printer parts		
Item	Name of parts	QTY.
1	Step 1	1
2	Support plate lock plate	2
3	M3*18 Screw	4
4	M3 Nut	4

Before Assembly



After Assembly

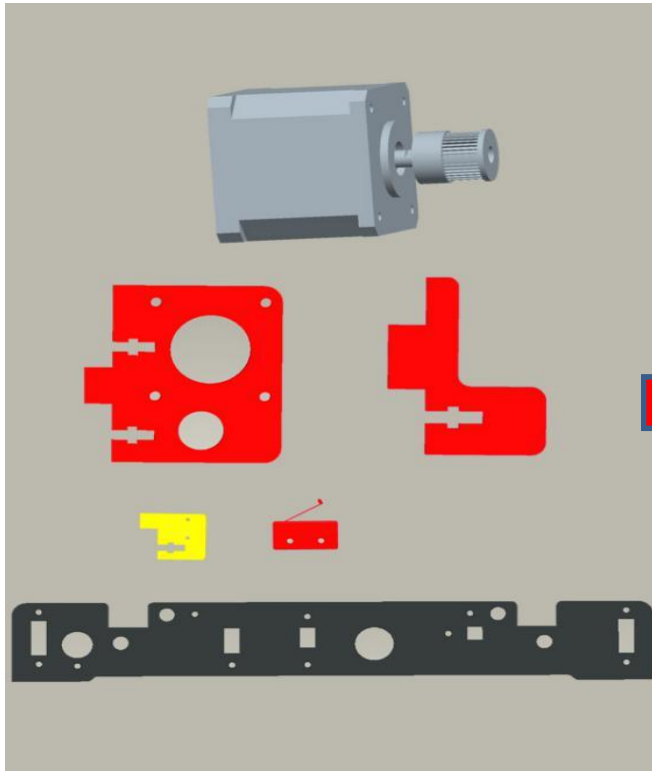


# Assembly Step 3

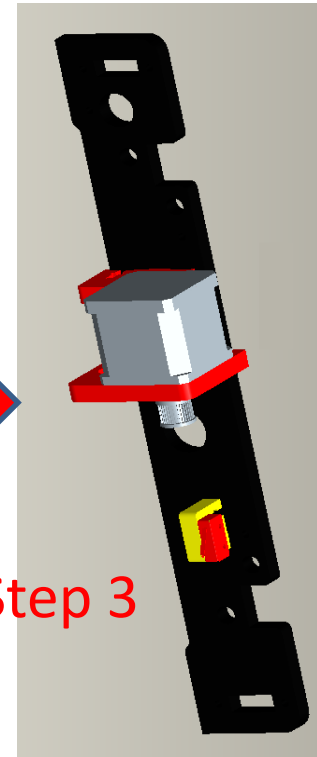
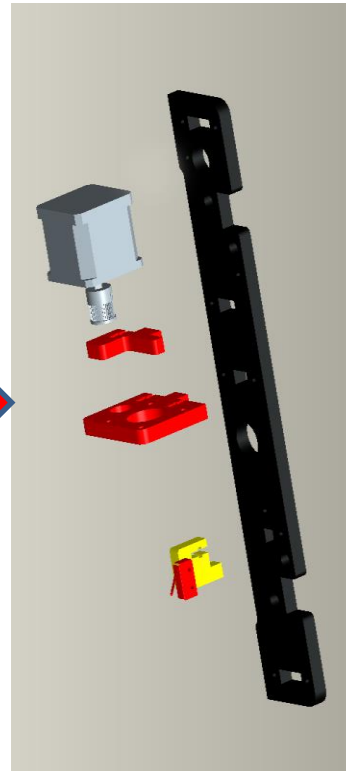


Name and Qty. of printer parts		
Item	Name of parts	QTY.
1	Back plate	1
2	Y axis motor	1
3	Y axis motor support	1
4	Y axis motor fixed plate	1
5	Y axis Limit switch fixed plate	1
6	Y axis Limit switch C 70CM	1
7	M3*12 screw	4
8	M2*12 screw	2
9	M3*18 screw	4
10	M3 Nut	4

**Before Assembly**



**After Assembly**



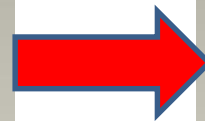
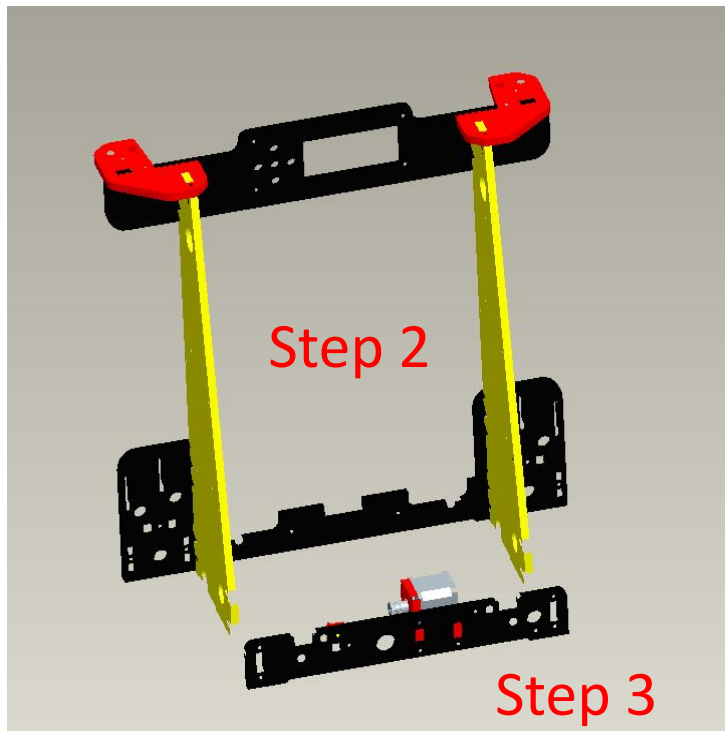
**Step 3**

# Assembly Step 4

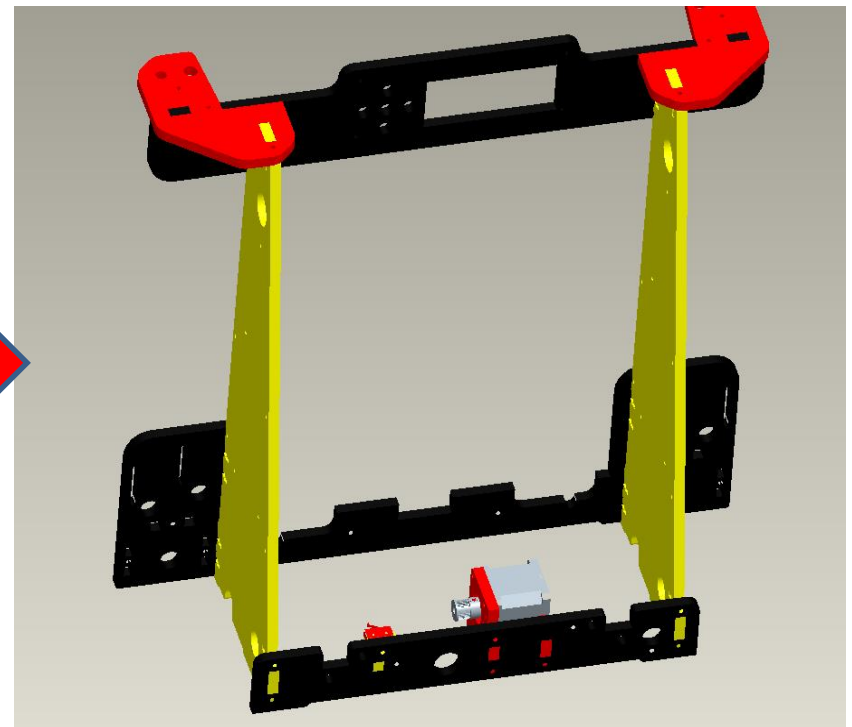
Name and Qty. of printer parts		
Item	Name of parts	QTY.
1	Step 2	1
2	Step 3	1
3	M3*18 screw	4
4	M3 Nut	4



Before Assembly



After Assembly

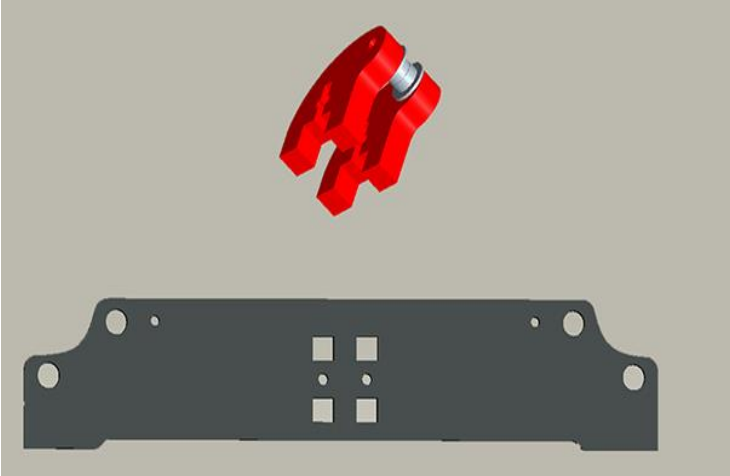


# Assembly Step 5

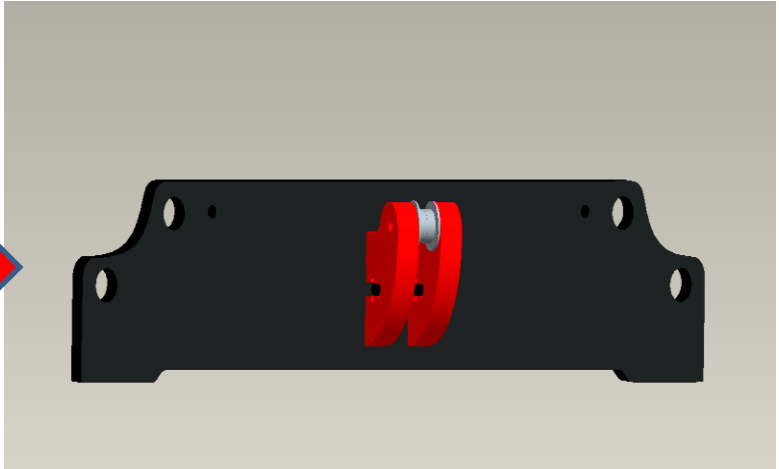
Name and Qty. of printer parts		
Item	Name of parts	QTY.
1	Y axis belt bearing support	1
2	Front plate	1
3	M3*18 screw	2
4	M3 Nut	2



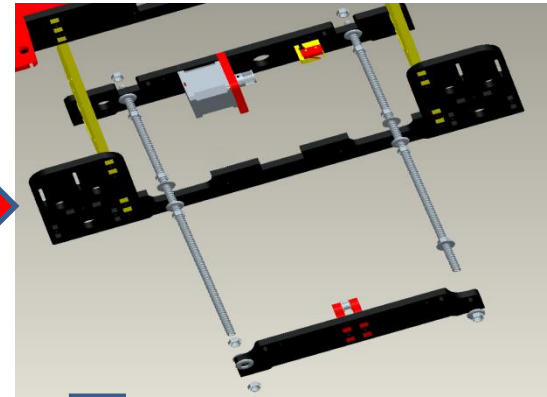
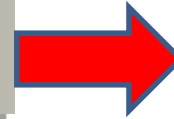
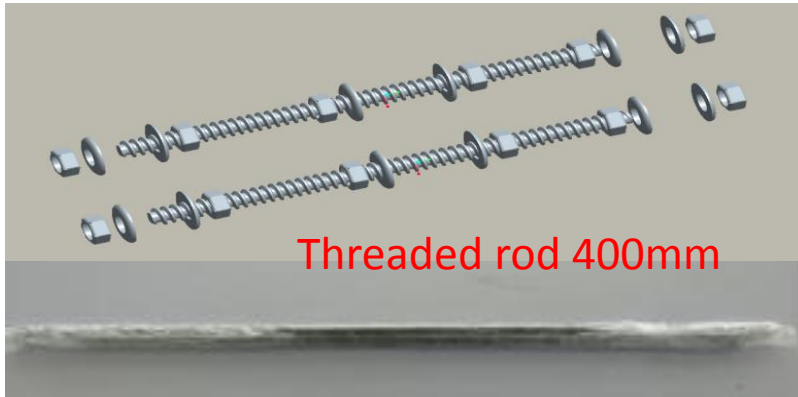
**Before Assembly**



**After Assembly**

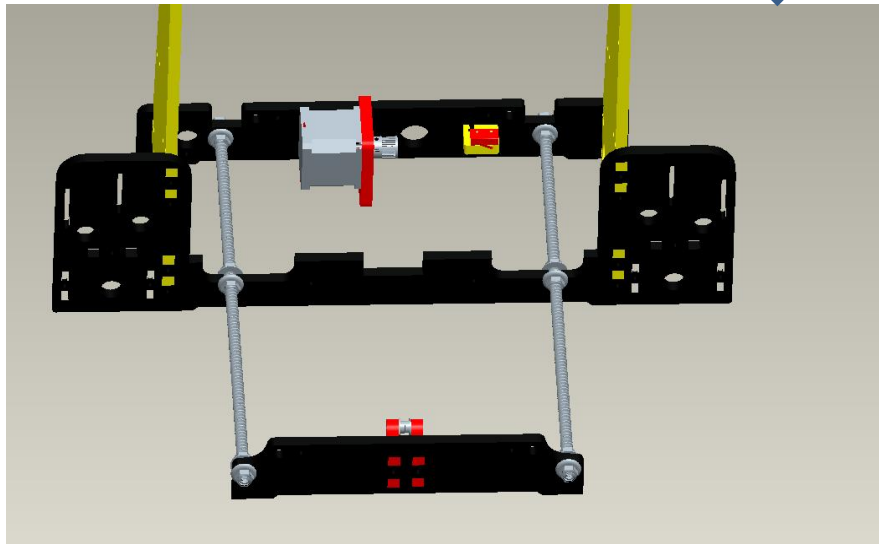


# Assembly Step 6



Before Assembly

After Assembly



Name and Qty. of printer parts

Item	Name of parts	QTY.
1	Step 4	1
2	Step 5	1
3	Threaded rod 400mm	2
4	M8 Nut	12
5	M8 Spacer	12



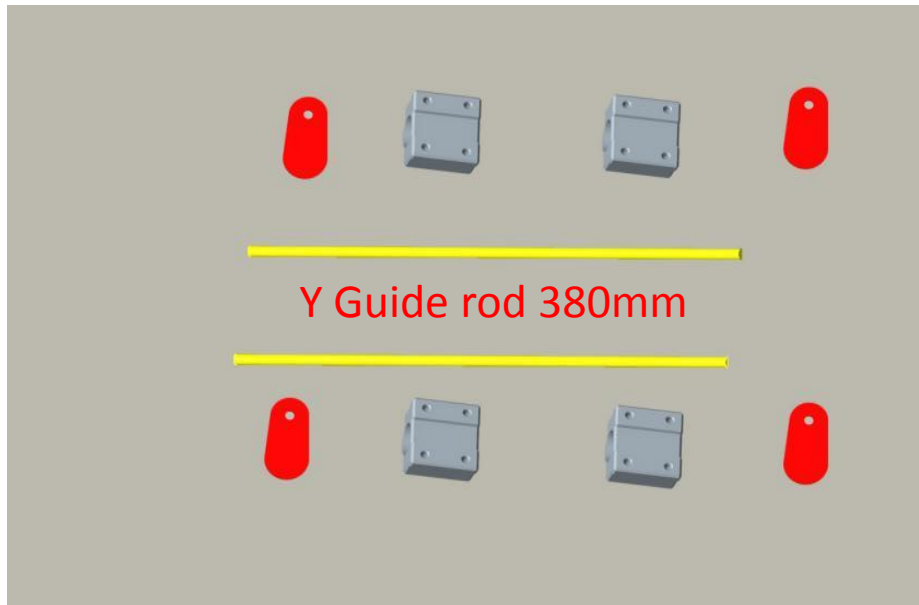
# Assembly Step 7

Name and Qty. of printer parts

Item	Name of parts	QTY.
1	Step 6	1
2	Y axis Guide rod	2
3	Guide rod back up plate	4
4	Linear bearing	4
5	M3*18 Screw	4
6	M3 Nut	4

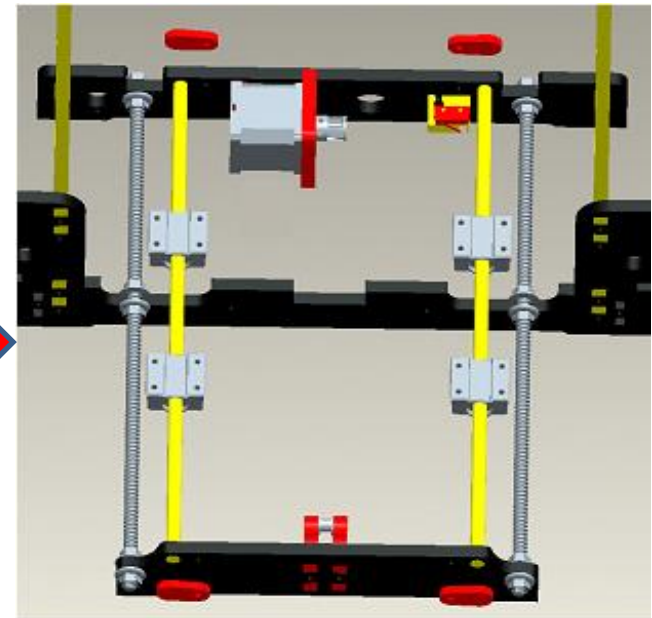


Before Assembly



Y Guide rod 380mm

After Assembly





# Assembly Step 8

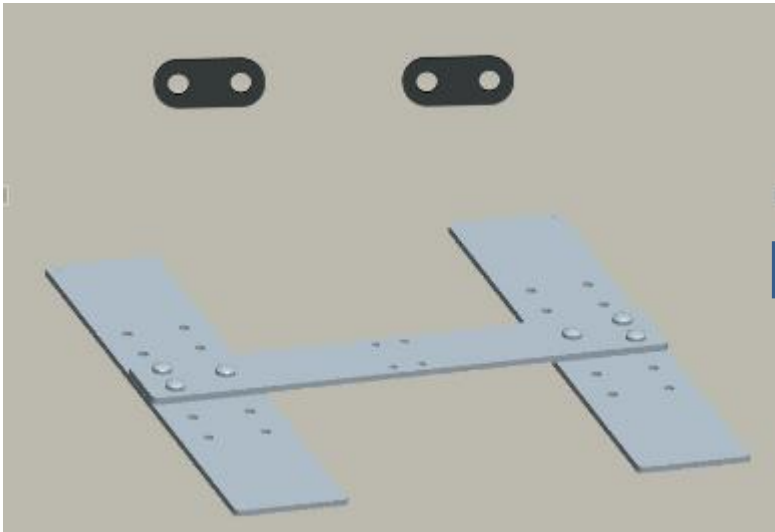


Name and Qty. of printer parts

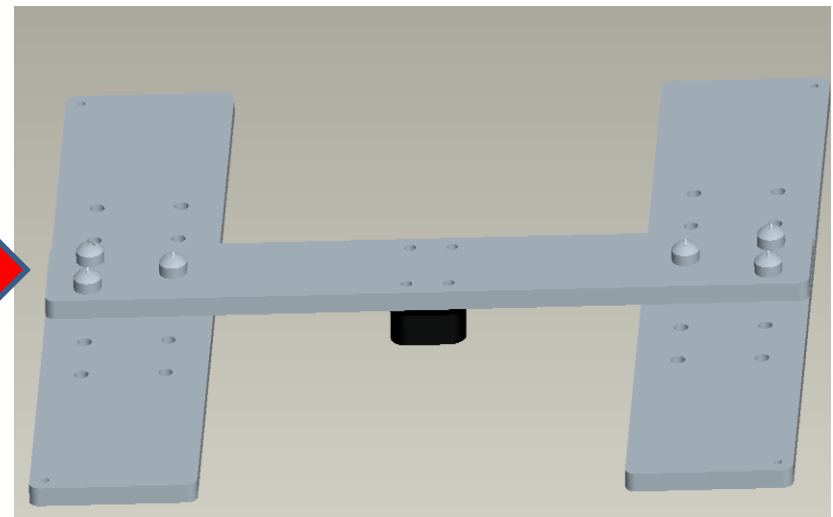
Item	Name of parts	QTY.
1	Hot bed fixed aluminum plate	1
2	Y axis belt fixation clamp	2
3	M4*14 screw	4

Attention: Leave vacancy between belt fixation clamp and hot bed fixed plate for belt positioning.

Before Assembly



After Assembly



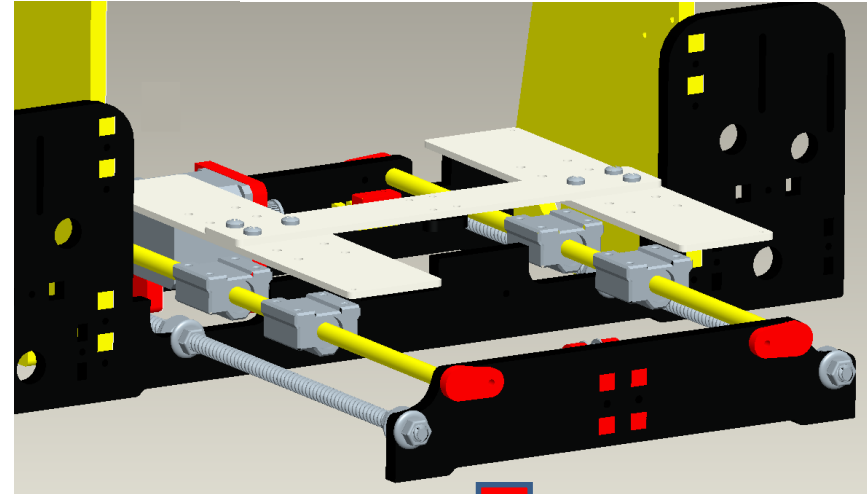
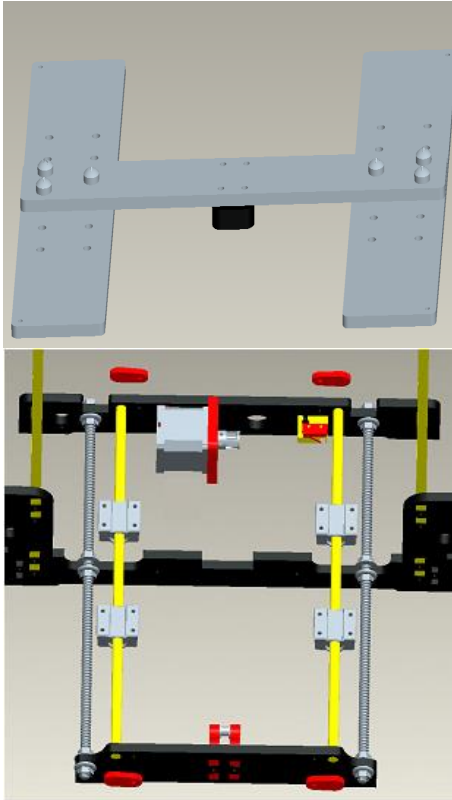
# Assembly Step 9



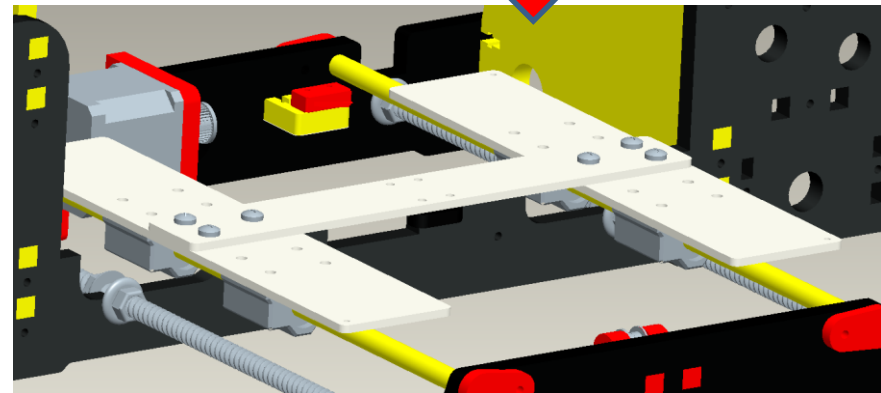
Name of QTY. of printer part

Item	Name of parts	QTY.
1	Step 7	1
2	Step 8	1
3	M4*8 Screw	16

Before Assembly



After Assembly



Attention: Please diagonally tighten the screws when all are in there place

# Assembly Step 10

## Name and Qty. of printer parts

Item	Name of parts	QTY.
1	Belt	1

**Before Assembly**



**After Assembly**

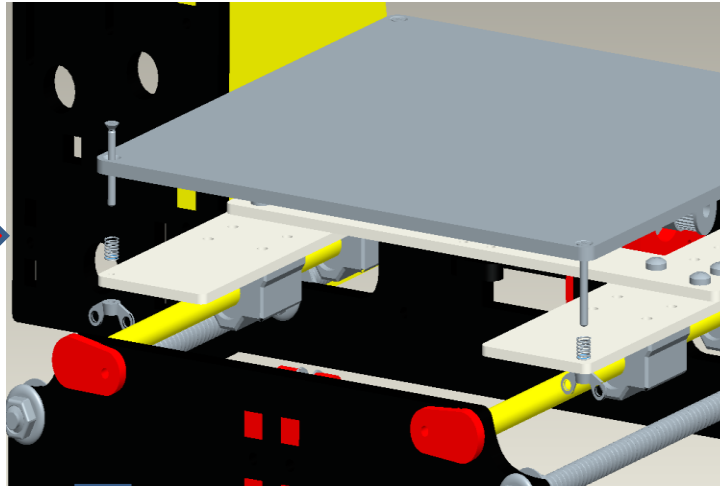
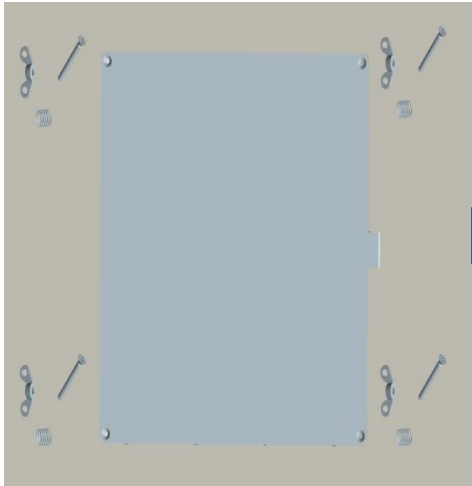


**Attention: Belt is for X&Y axis transmitting .Cut the length you need to each transmission shaft. The belt is 1.5m in total and 10-20cm left after installation.**

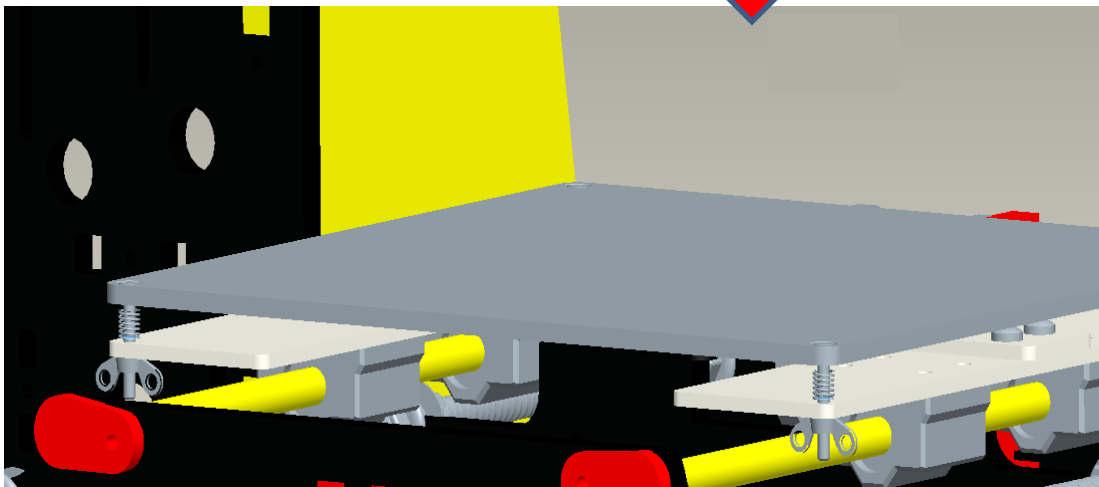
# Assembly Step 11

Attention: Hot bed screws should be in the bottom, and wing nuts will keep the height of hot bed level as well as firming the hotbed.

Before Assembly



After Assembly



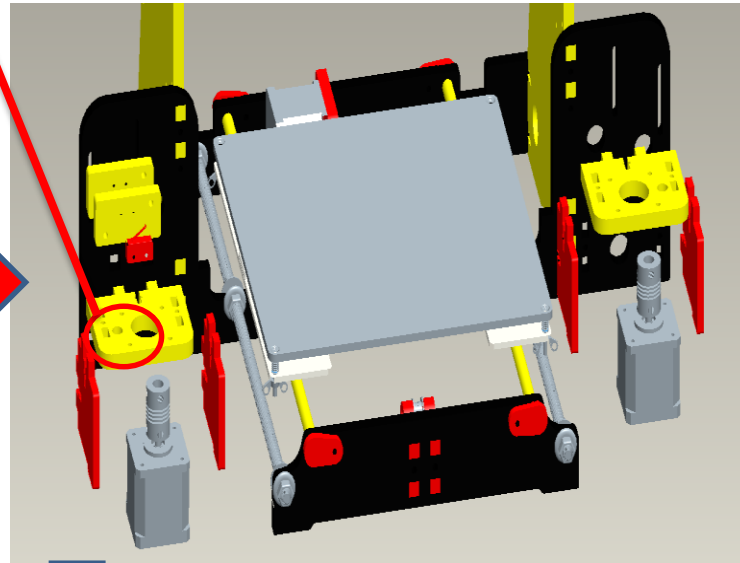
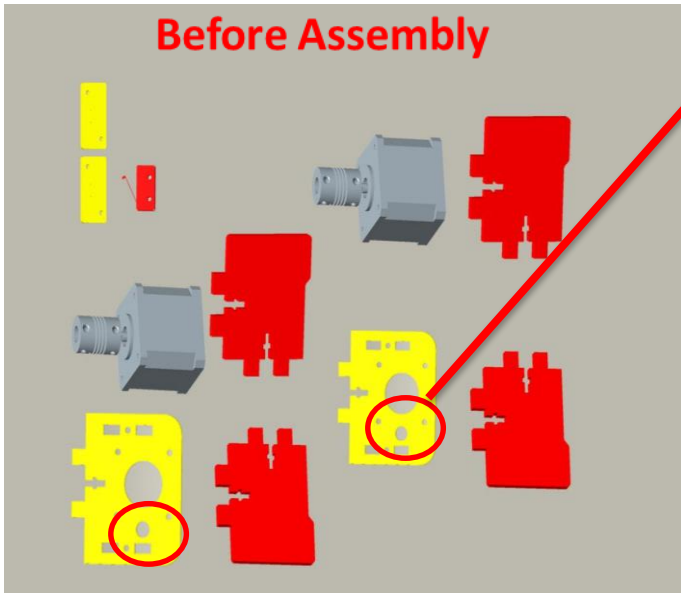
Name and Qty. of printer parts

Item	Name of parts	QTY.
1	Step 9	1
2	Hot bed	1
3	M3*30 Screw	4
4	Spring	4
5	M3 wing nut	4

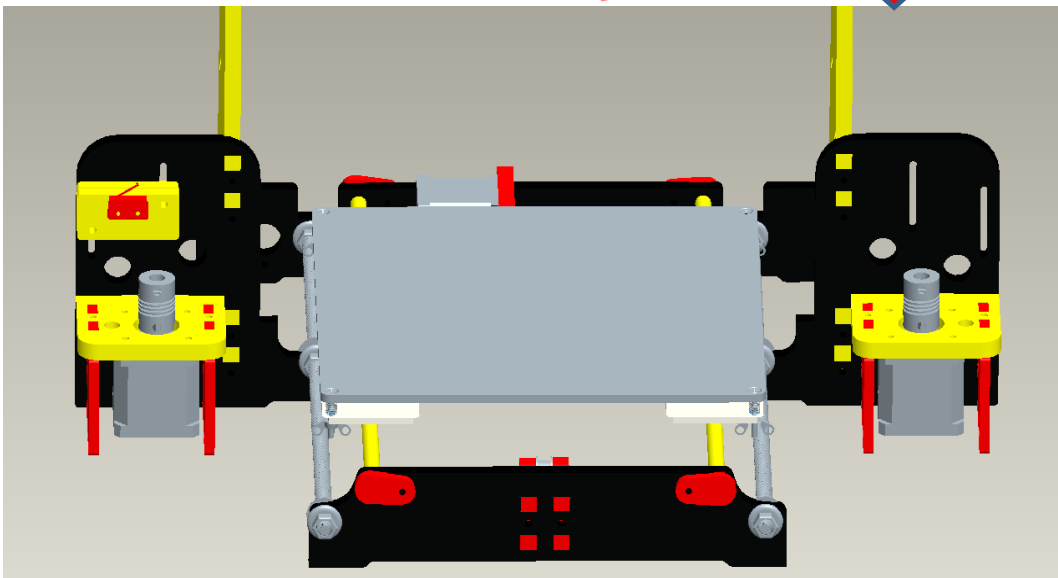
# Assembly Step 12

Attention: This hole is for Z axis guide rod positioning

Before Assembly



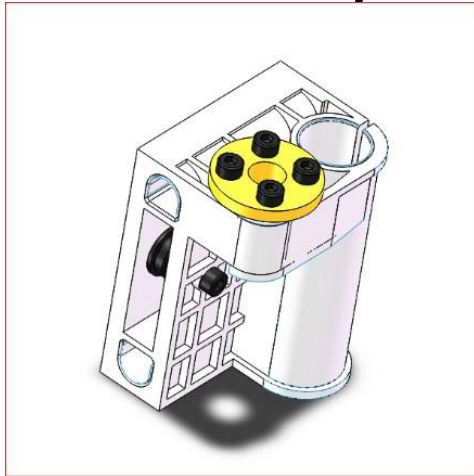
After Assembly



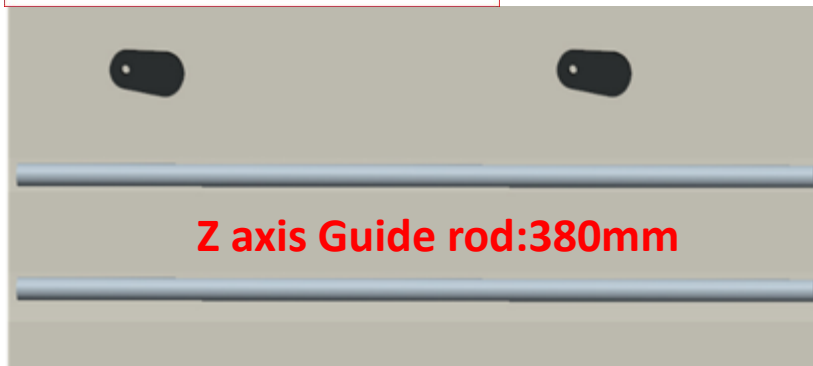
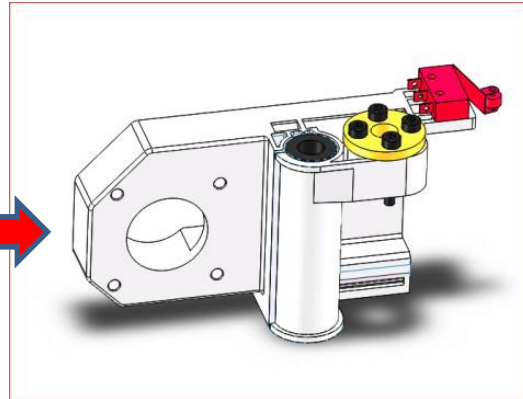
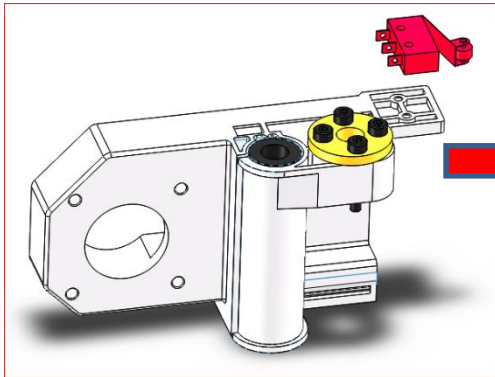
Name and Qty. of printer parts

Item	Name of parts	QTY.
1	Step 11	1
2	Z axis motor	2
3	Z axis motor fixed plate	2
4	Z axis motor support Plate	4
5	Z axis Limit switch fixed plate	2
6	Z axis Limit switch A 20CM	1
7	M3*18 Screw	10
8	M3 Nut	10
9	M3*12 Screw	8

# Assembly Step 13

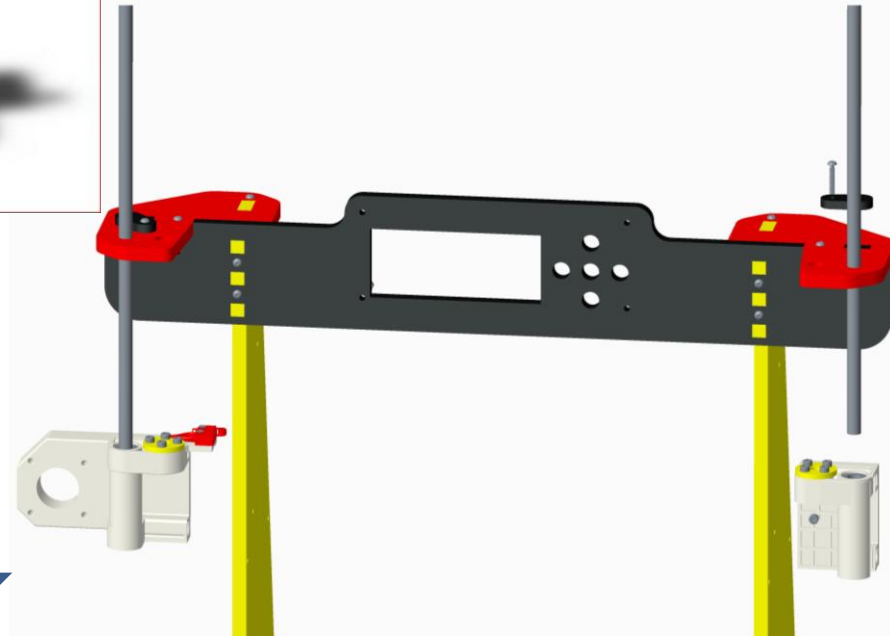


**Before Assembly**

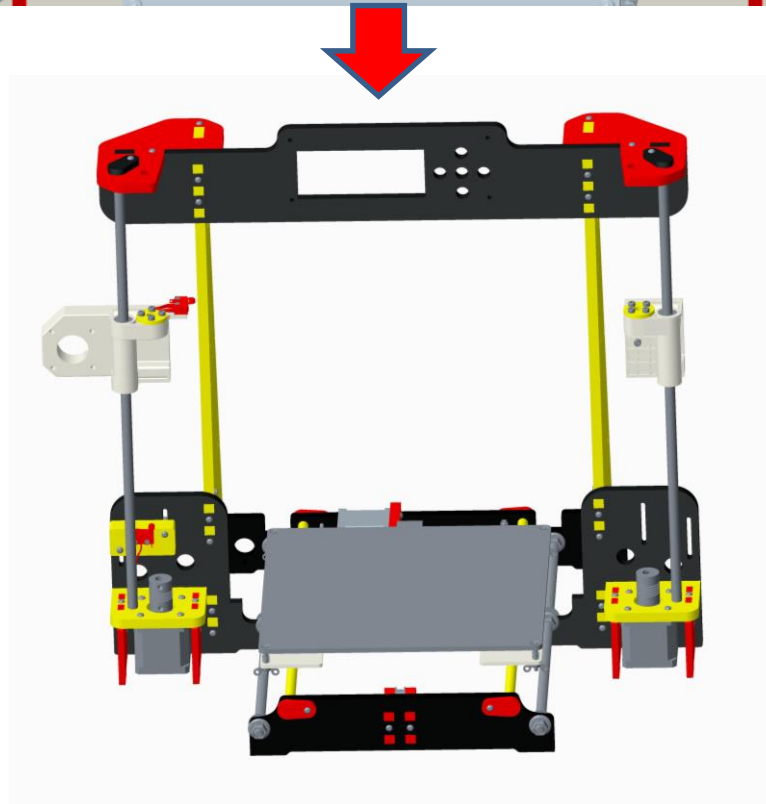
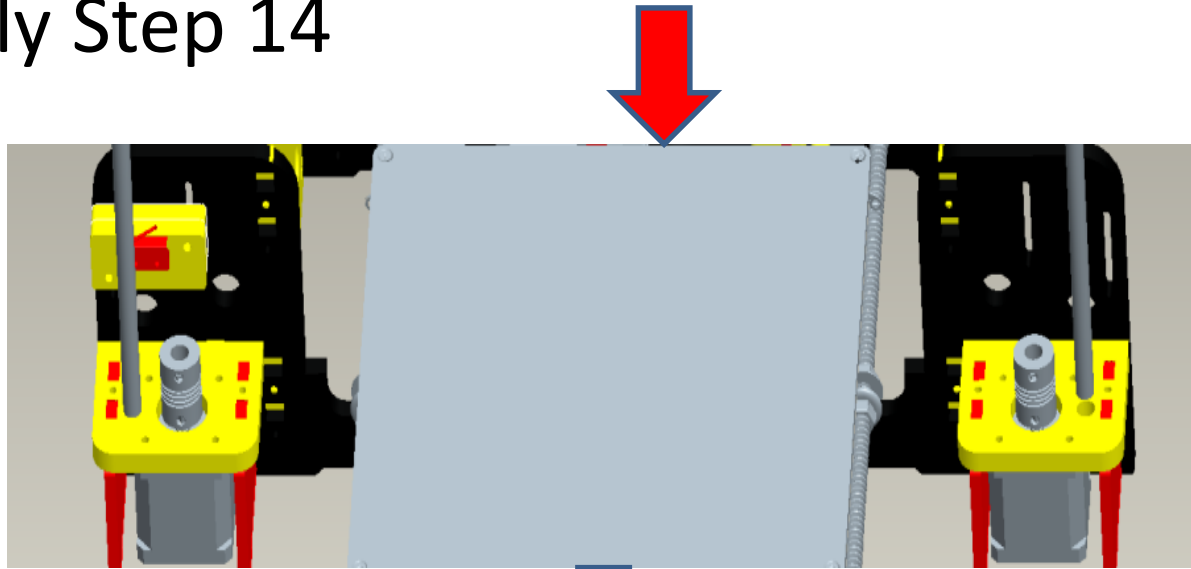


**Name and Qty. of printer parts**

Item	Name of parts	QTY.
1	Step 11	1
2	Step 12	1
3	Right Z axis nut support	1
4	Guide rod back up plate	2
5	Z axis Guide rod 380mm	2
6	M3*18 screw	2
7	M3 Nut	2



# Assembly Step 14

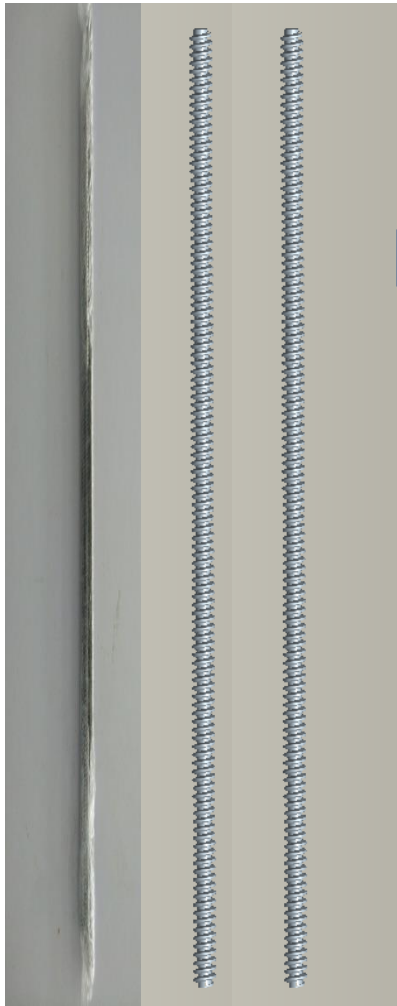


**After Assembly**

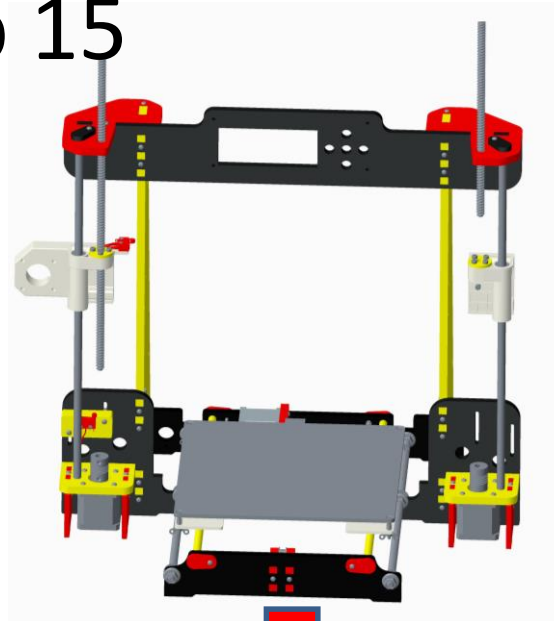


# Assembly Step 15

Before Assembly



T lead screw 345mm



Name and Qty. of printer parts

Item	Name of parts	QTY.
1	Step 14	1
2	T type lead screw 345mm	2

Attention: loose the jackscrew of elastic coupling to place T lead screw to the bottom, then tighten the jackscrew.

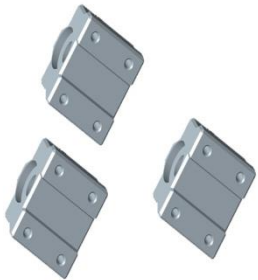
After Assembly



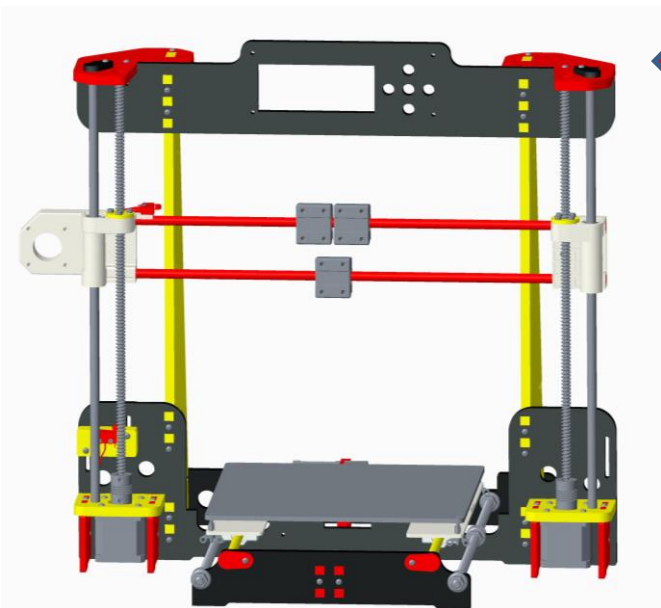
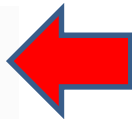
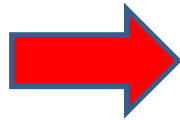
# Assembly Step 16

Attention: Please keep A&B at the same level during X rods installation. Knock the guide rods with a hammer slightly if it's hard to place.

X axis Guide rod 436mm



Before Assembly

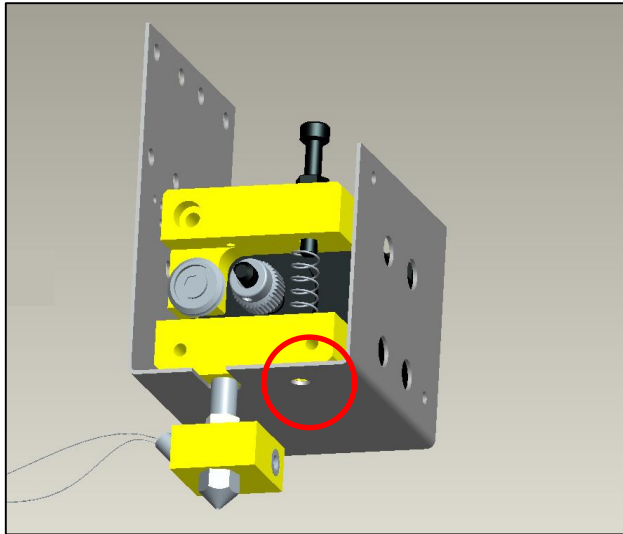


Name and Qty. of printer parts

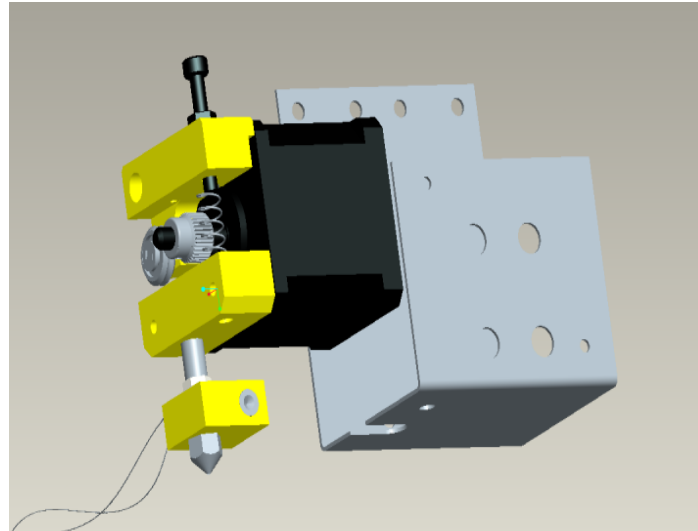
Item	Name of parts	QTY.
1	Step 15	1
2	X axis Guide rod	2
3	Linear bearing	3

# Assembly Step 17

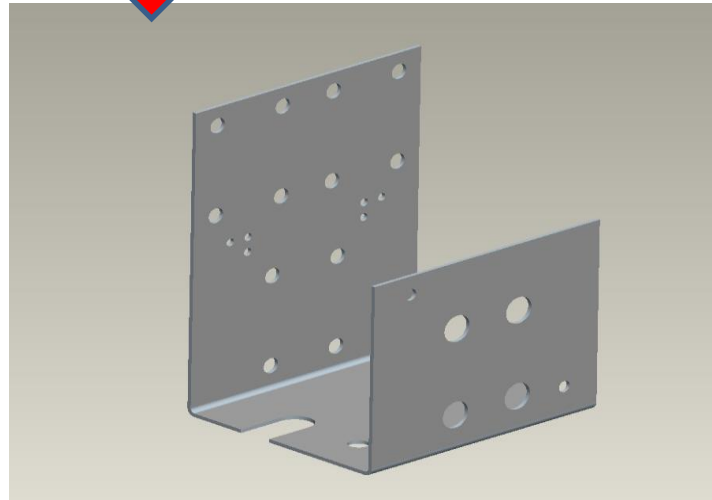
Before disassembly



After disassembly



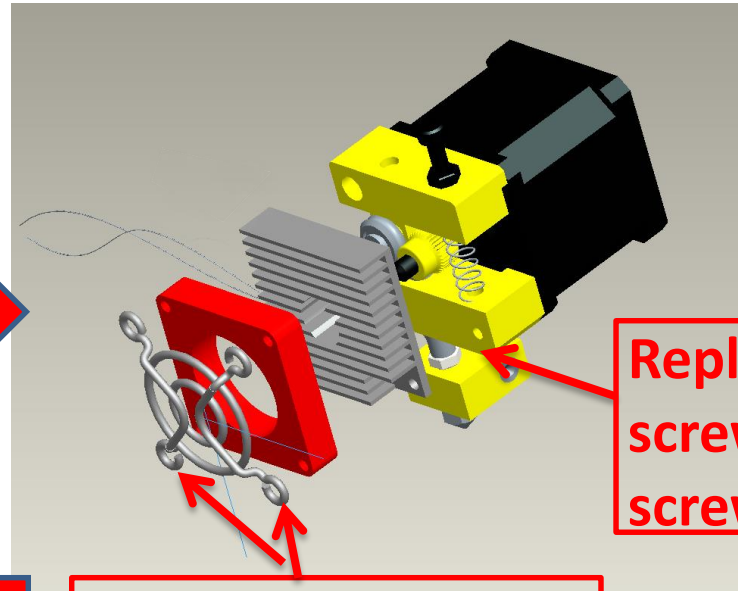
After disassembly



Loose M4\*6 screws first,  
then separate extruder  
from L black aluminum  
parts, remember to  
keep the screws.

# Assembly Step 18

Before Assembly

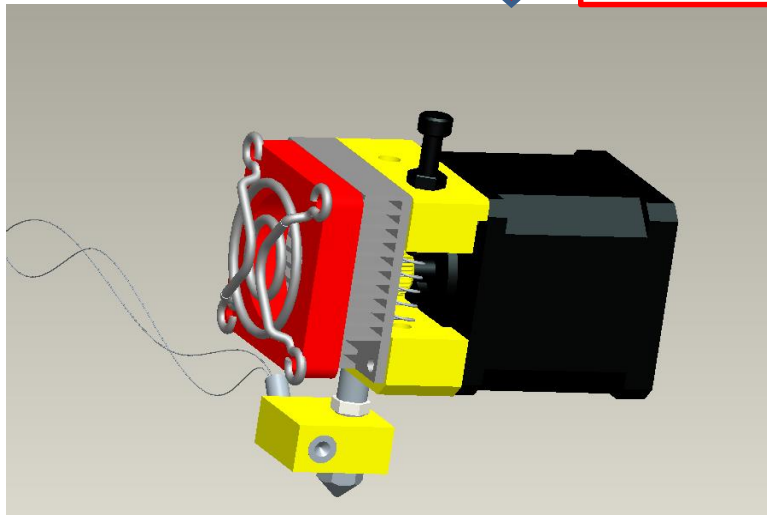


Replace M3\*20 screws with M3\*45 screws

After Assembly



M3\*45 screw holes

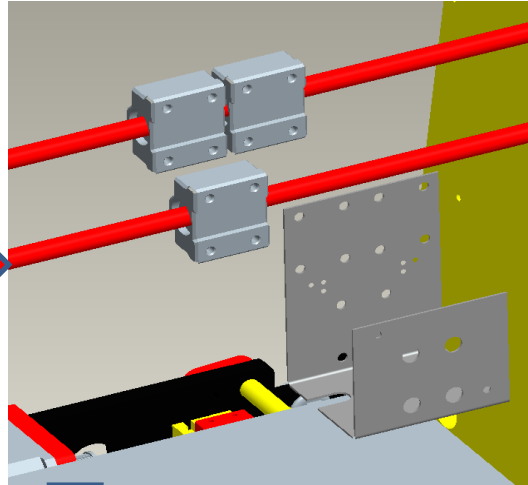
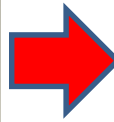
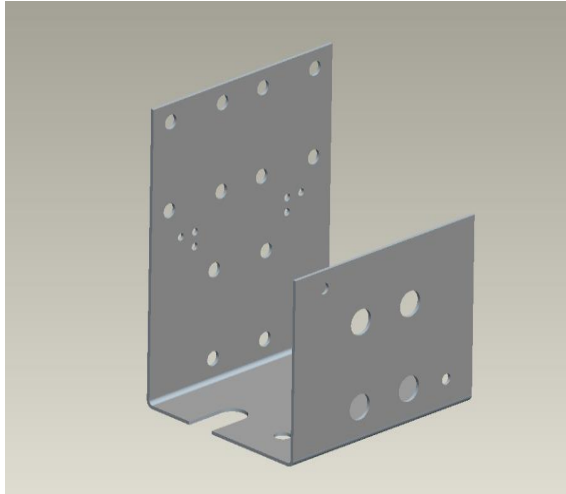


Name of QTY. of printer part

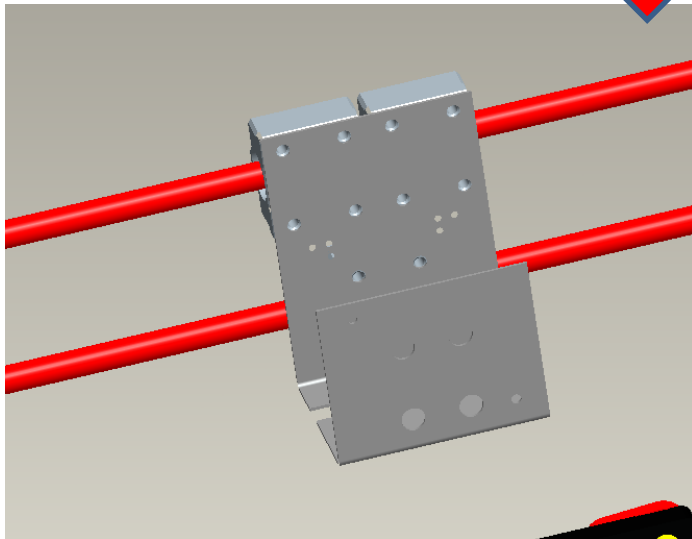
Item	Name of parts	QTY.
1	Extruder taken from Step 17	1
2	40*10 Fan	1
3	40*11 Cooling fin	1
4	Fan cover	1
5	M3*45 Screw	2
6	M3 Spacer	6-8

# Assembly Step 19

Before Assembly



After Assembly



Name of QTY. of printer part

Item	Name of parts	QTY.
1	Step16	1
2	Black Aluminum taken from Step 17	1
3	M4*8 Screw	12

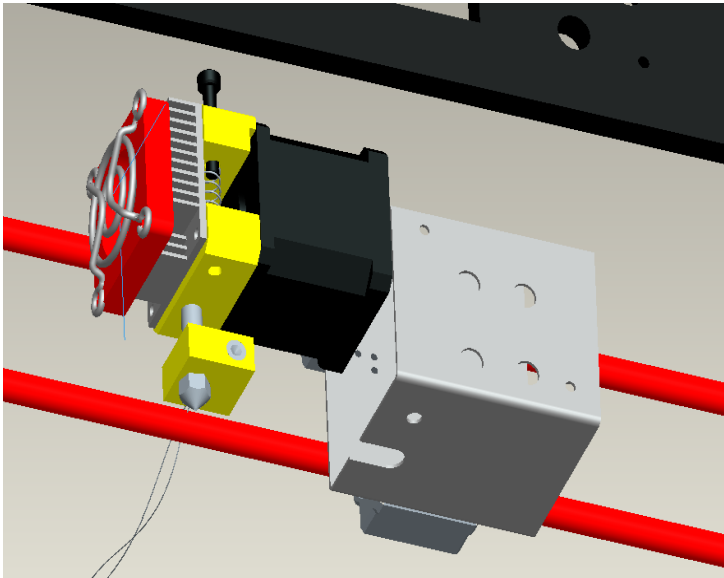
# Assembly Step 20

Attention: Install M4\*6 screw. Tighten M6 Screw on the throat with spanner till extruder is not loose.

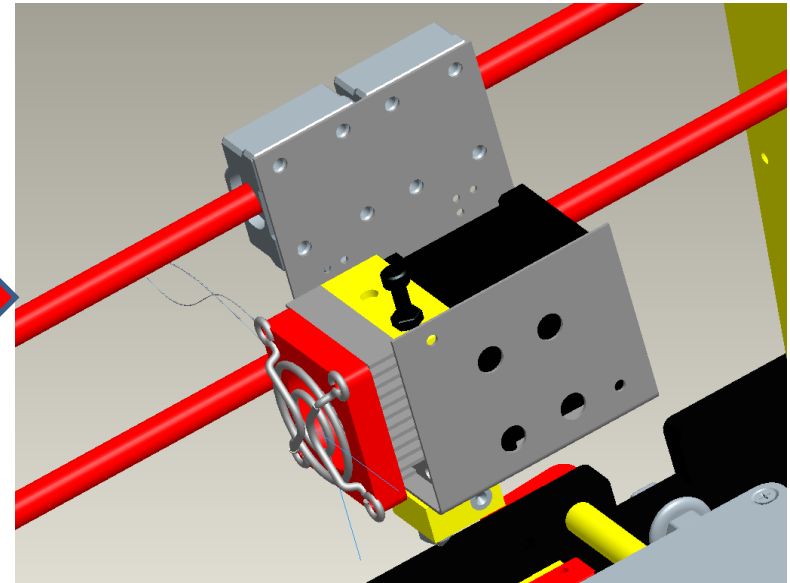
Name of QTY. of printer part

Item	Name of parts	QTY.
1	Step 18	1
2	Step 19	1
3	M4* 6 We taken from Step 17	1

Before Assembly



After Assembly



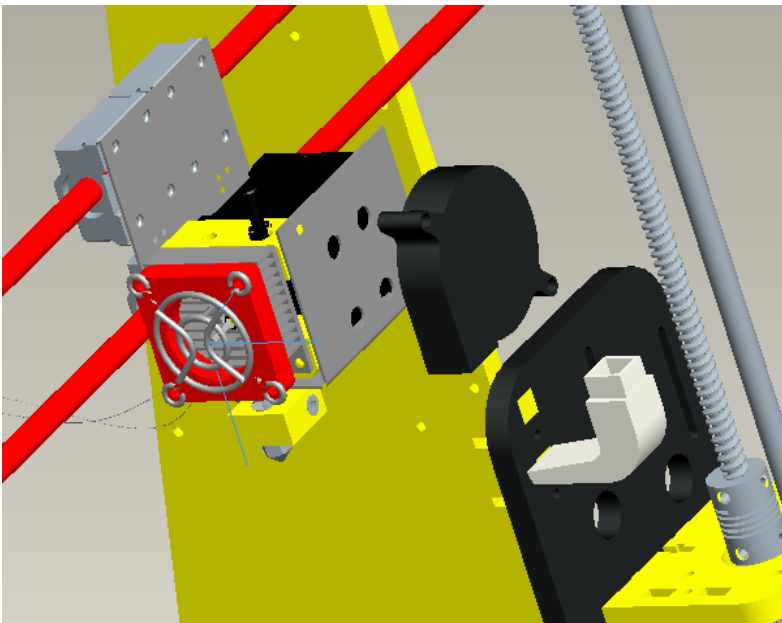
# Assembly Step 21



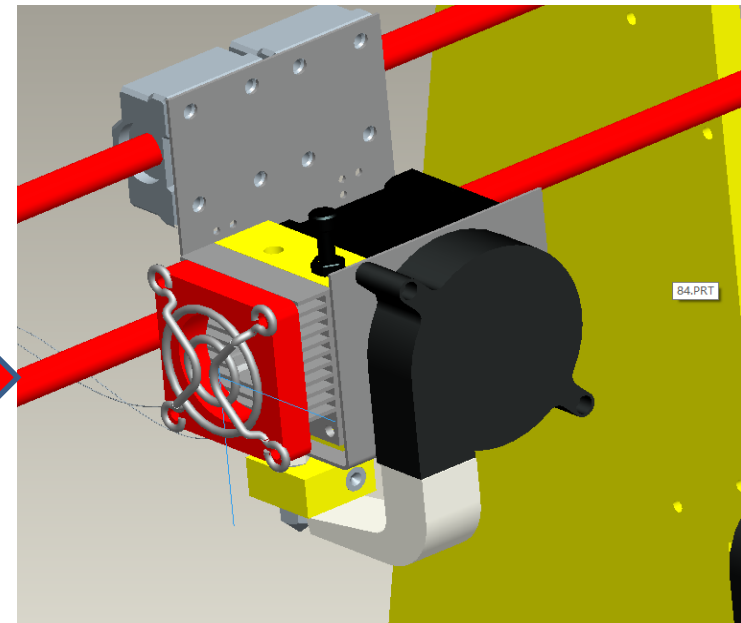
Name of QTY. of printer part

Item	Name of parts	QTY.
1	Step 20	1
2	5015 Air blower	1
3	Wind mouth	1
4	M3*18 screw	2

**Before Assembly**

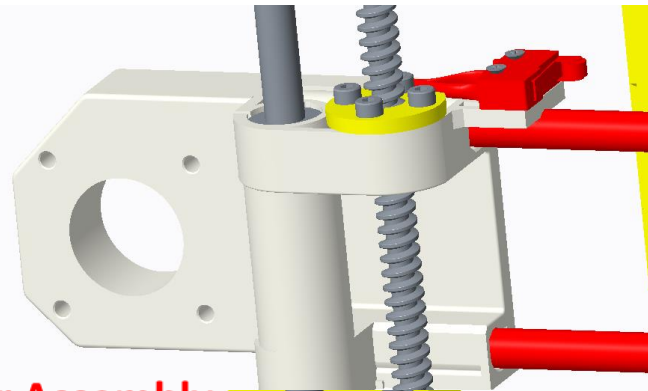


**After Assembly**

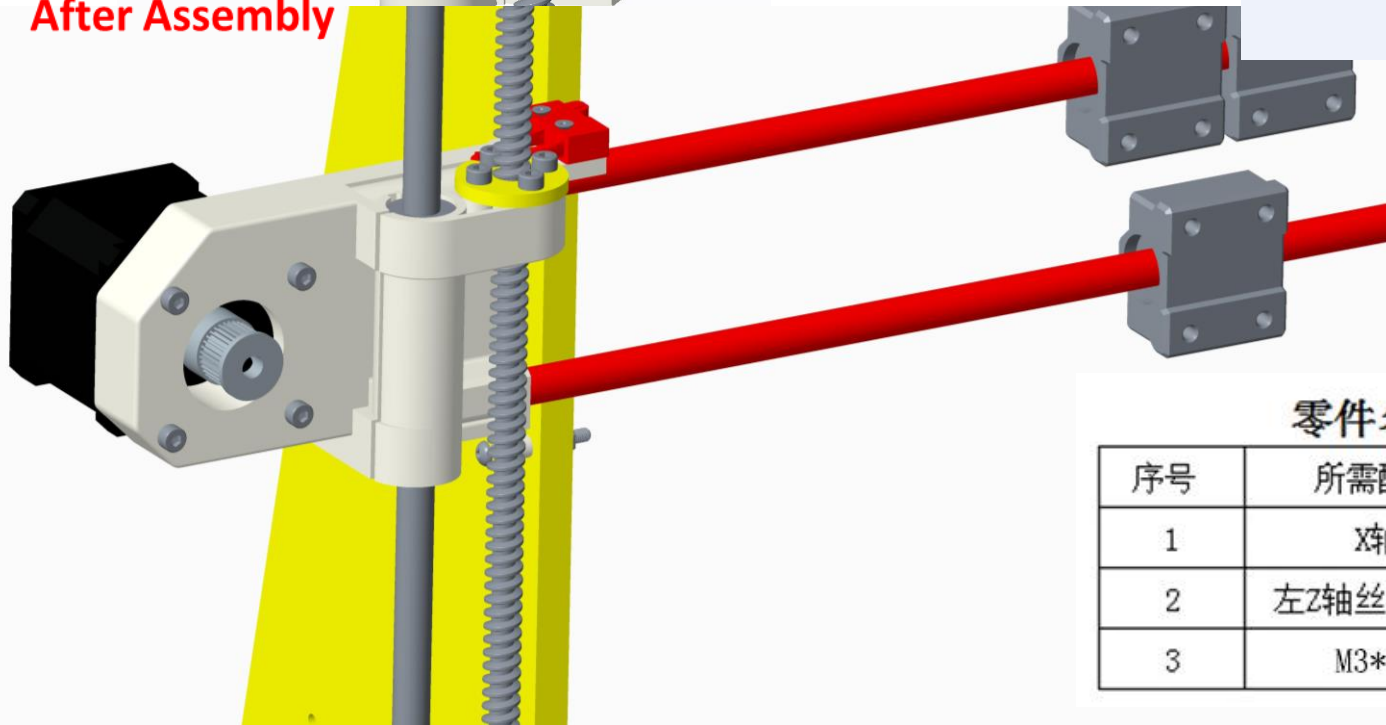


# Assembly Step 22

Before Assembly



After Assembly



M3\*20

零件名称和数量

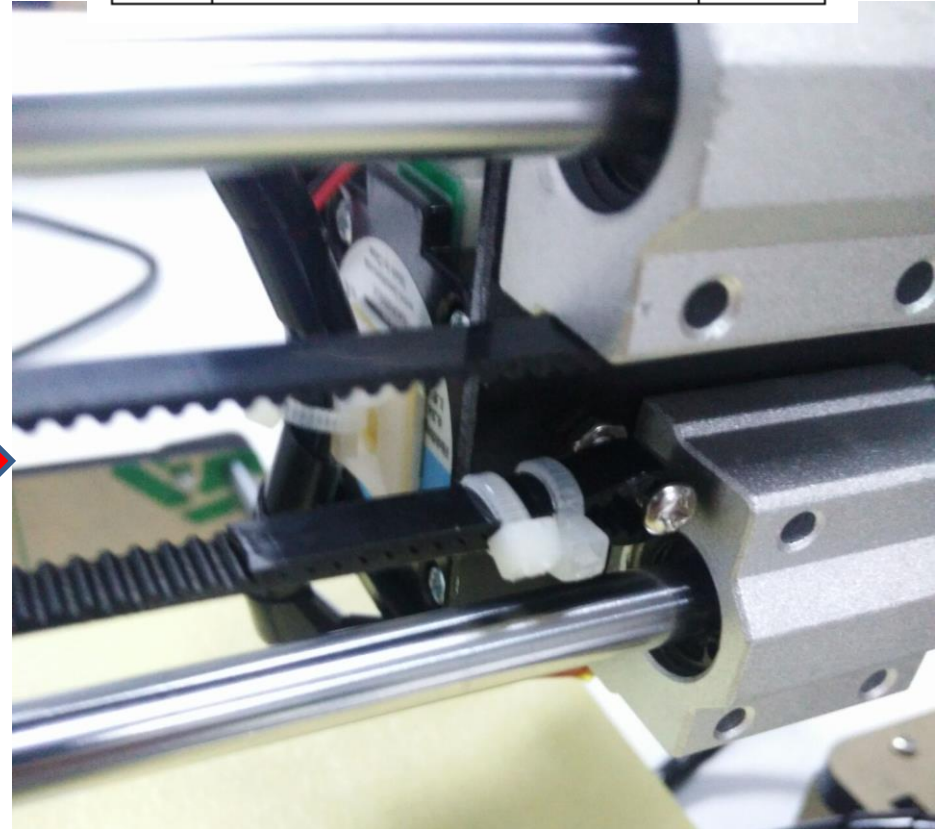
序号	所需配件名称	数量
1	X轴电机	1
2	左Z轴丝杆螺母支撑	1
3	M3*20螺丝	4



# Assembly Step 23

Name of QTY. of printer part

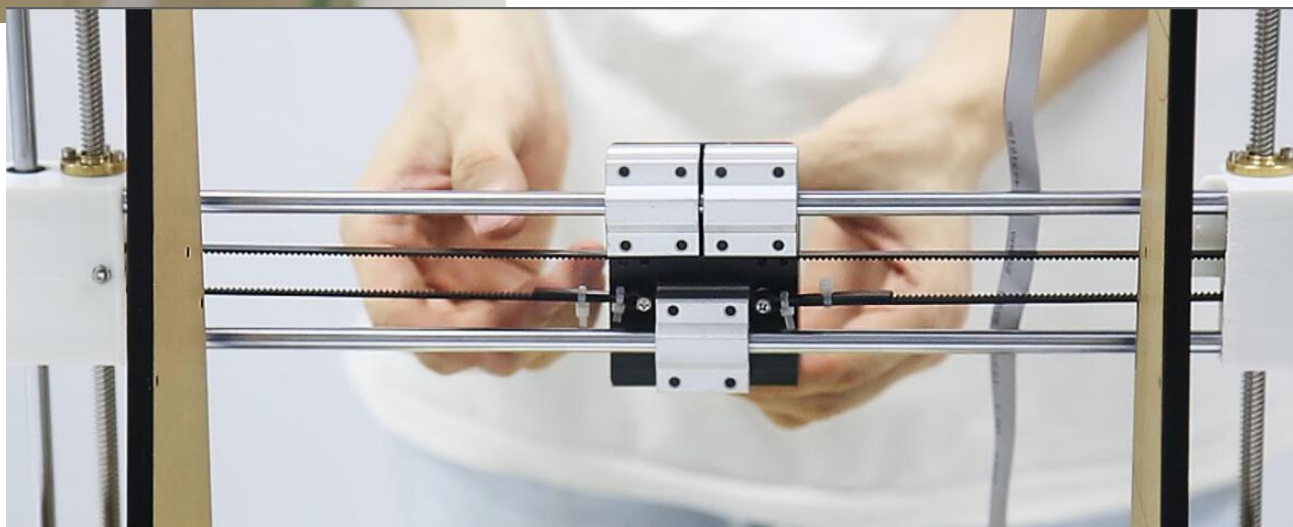
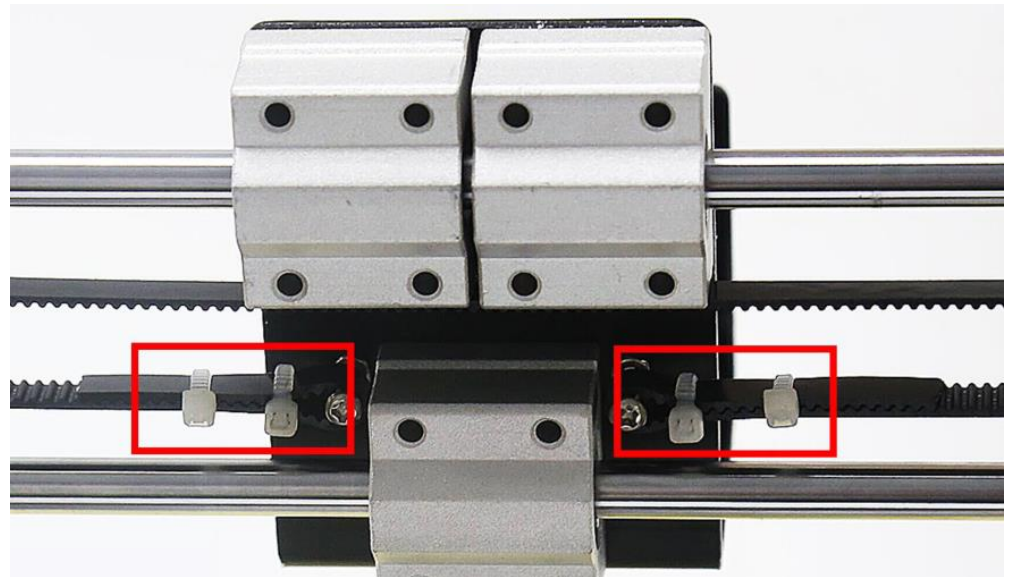
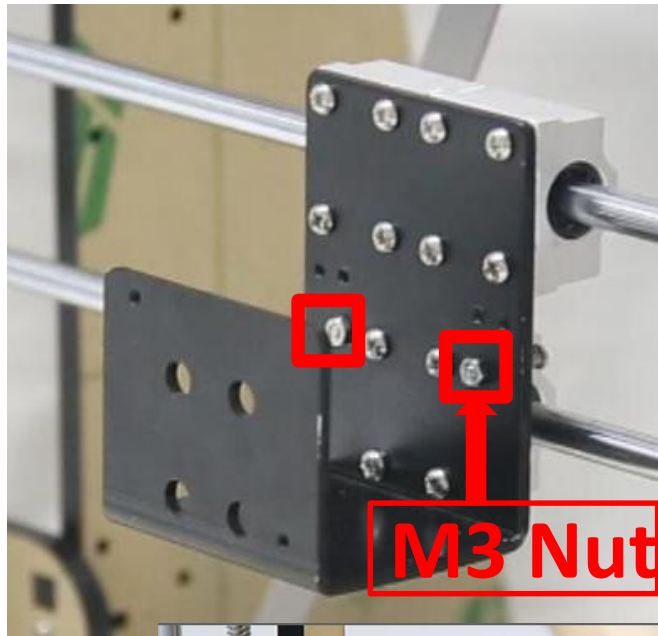
Item	Name of parts	QTY.
1	Belt	1
2	M3*18 screw	2
3	M3 Nut 4	4



Attention: Belt is for X,Y axis transmitting . The length of belt is 1.5m in total. Normally there'll be 10-20cm left after installation.



# Assembly Step 24



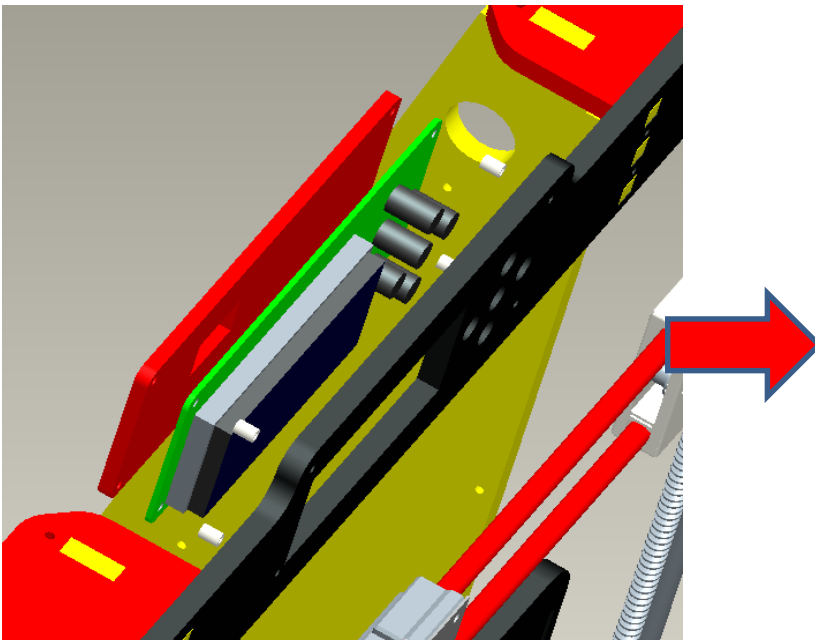
# Assembly Step 25



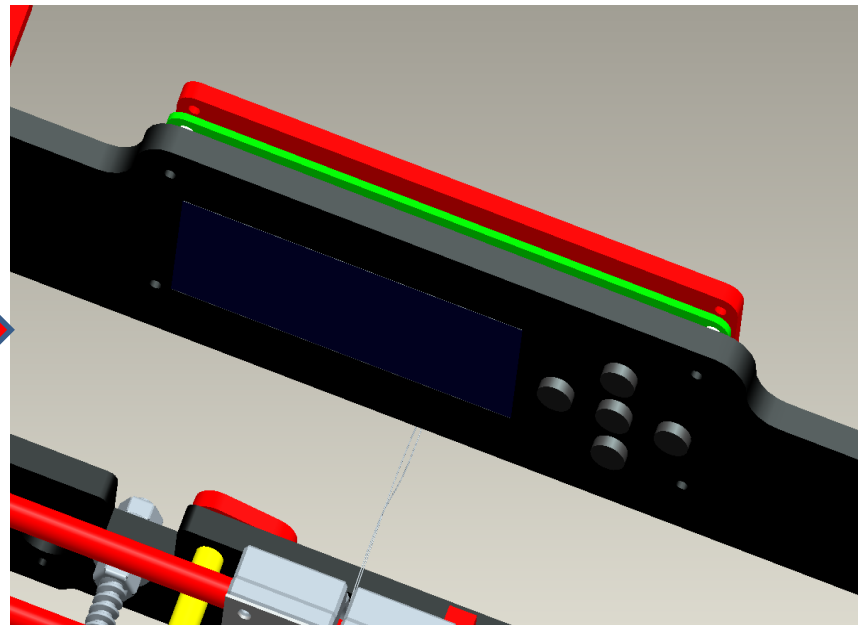
Name of QTY. of printer part

Item	Name of parts	QTY.
1	LCD 2004 screen	1
2	Pillar washer M3*7	4
3	Screen baffle plate	1
4	M3*30 screw	4
5	M3 Nut	8

Before Assembly

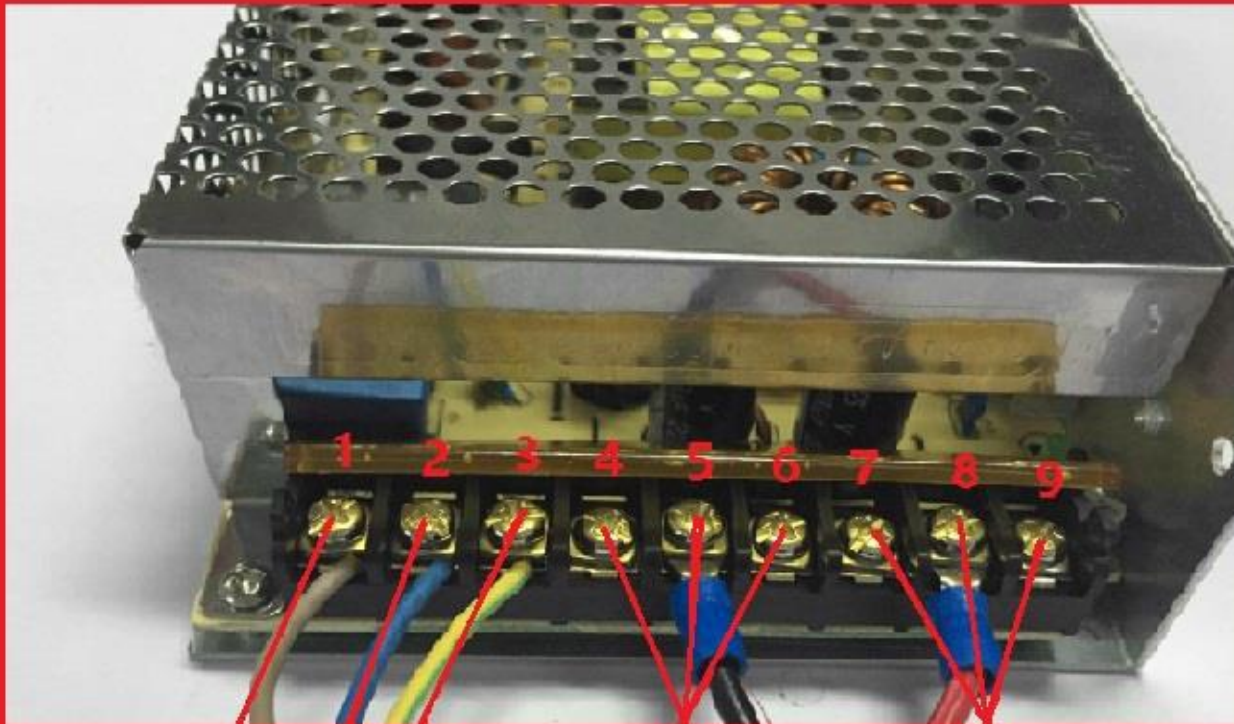


After Assembly



# Assembly Step 26

Attention This is the wiring diagram of power supply. 1, 2, 3 separately represent the line of fire (brown), Zero line (blue), ground wire (yellow). 4,5, 6 represent negative pole (black) (-); 7,8,9 represent the positive pole (red) (+). To avoid danger, please assure the installation is correct.



Brown	blue	yellow	black (COM)	red (+V)
1	2	3	4 5 6	7 8 9

# Assembly Step 27

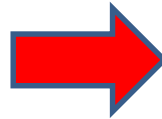
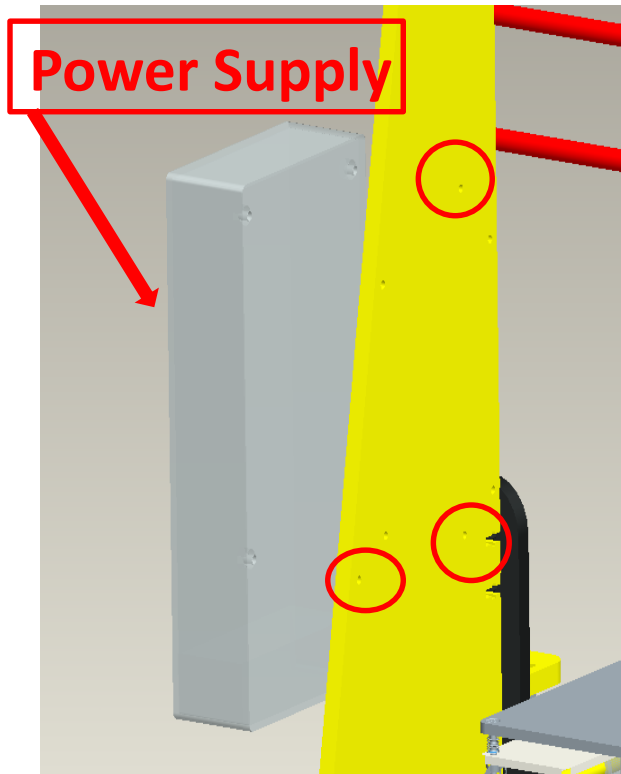
Red circles stand for the power screw holes



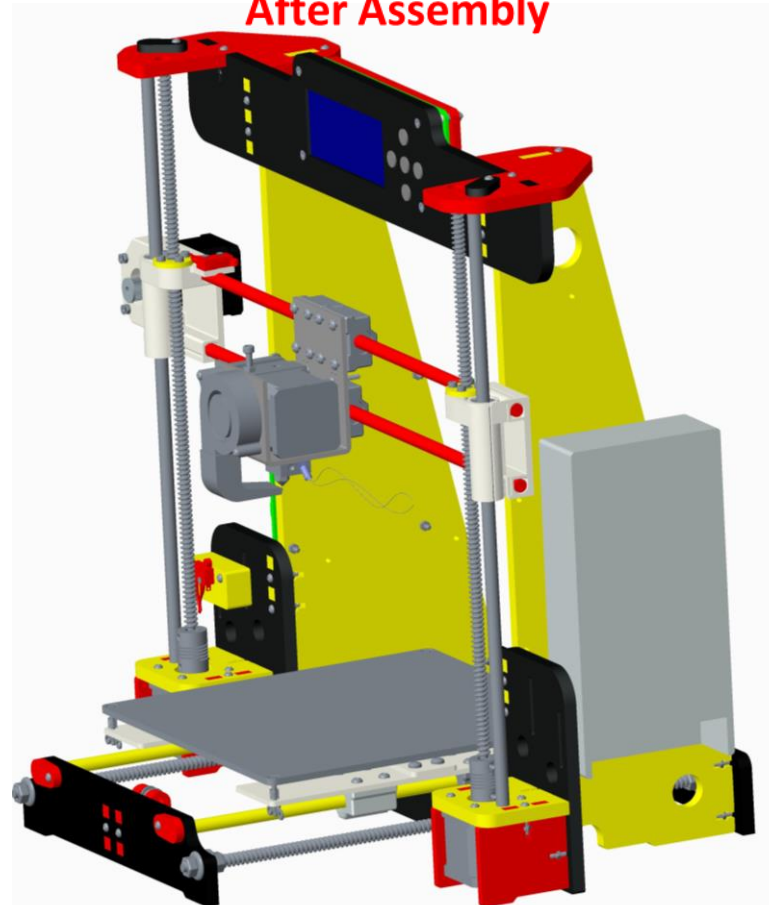
Name of QTY. of printer part

Item	Name of parts	QTY.
1	Step 26	1
2	Power Supply 12V	1
3	M3*12screw	3

Before Assembly



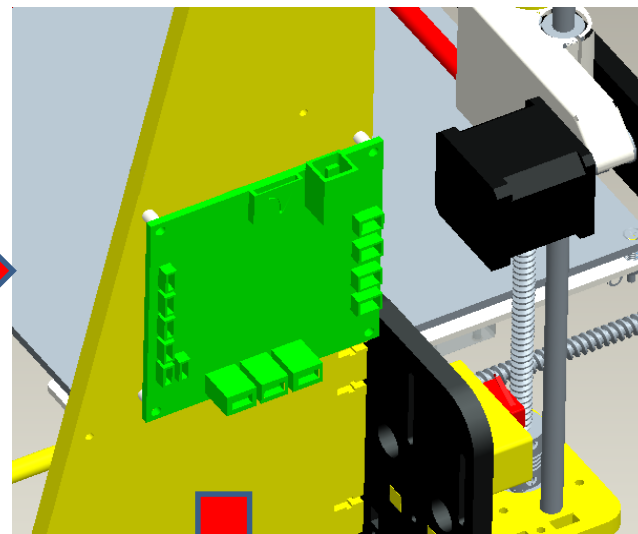
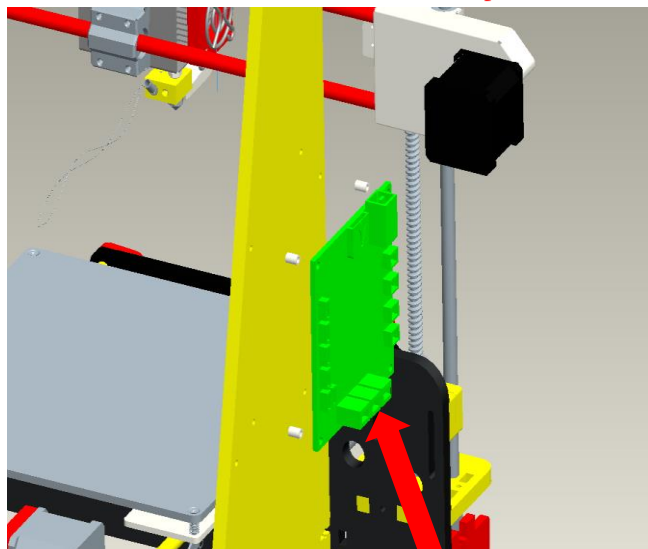
After Assembly





# Assembly Step 28

Before Assembly

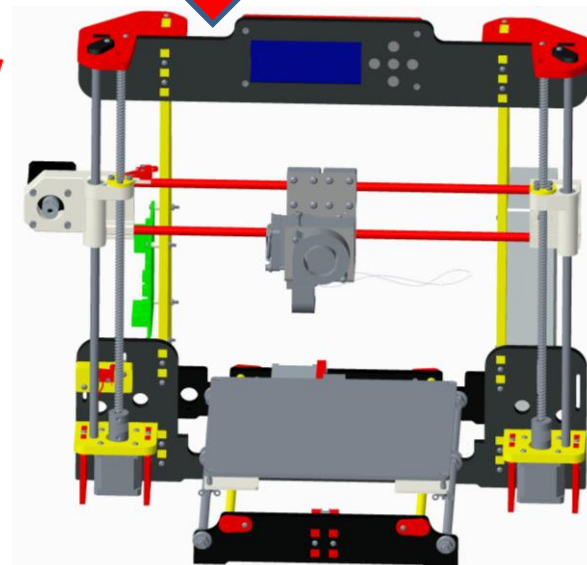


**Mainboard**

After Assembly

Name of QTY. of printer part

Item	Name of parts	QTY.
1	Step 27	1
2	Mainboard	1
3	M3*30 screw	4
4	M3 Nut	4
5	Pillar washer M3*15	4



# Assembly Step 29

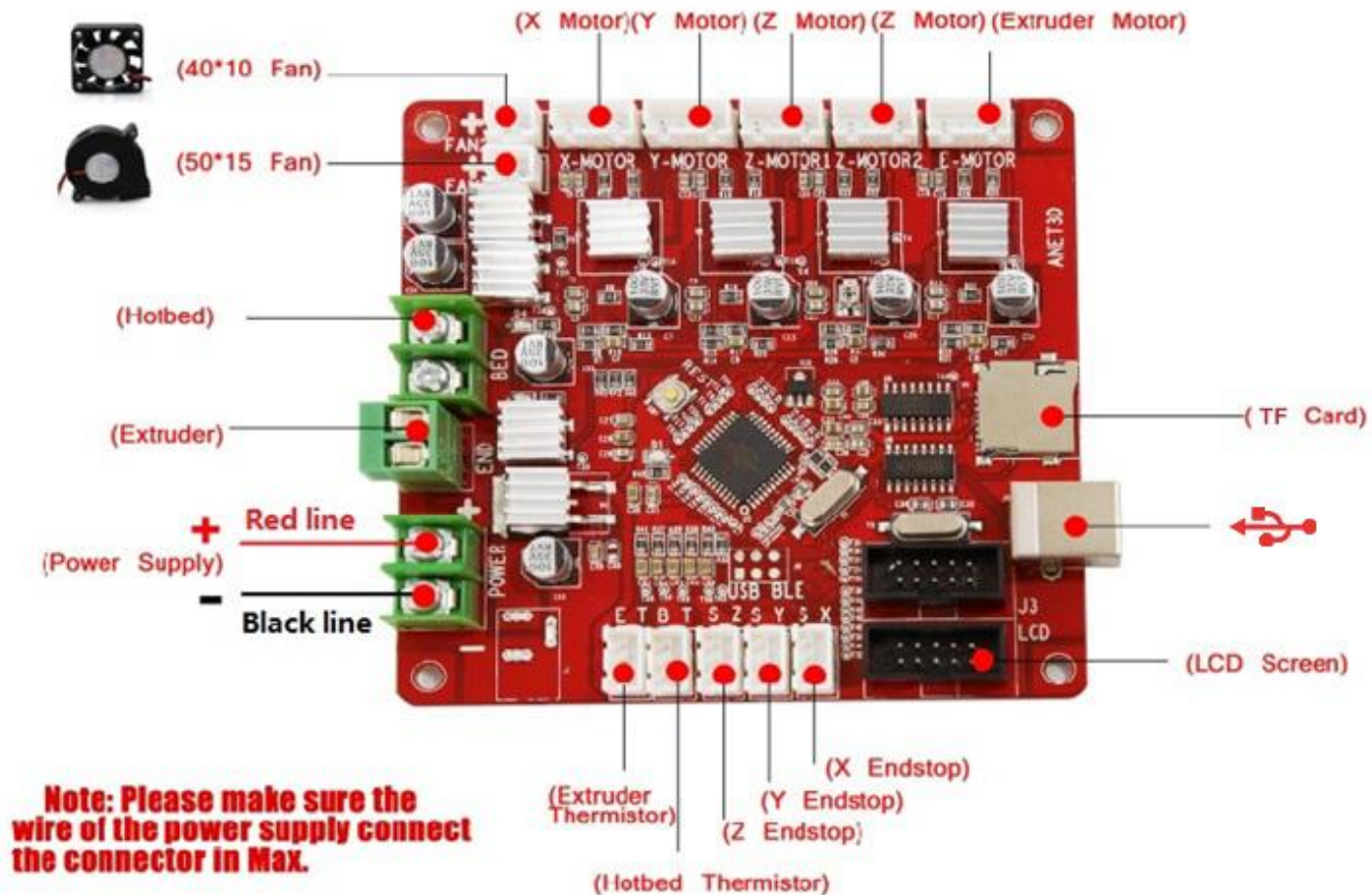
**Attention: Please use the corresponding wire , especially motor wire & limited switch wire.**

Length of A8 Components Wire

NO.	Option	Length(mm)
1	Power supply wire	700mm
2	X motor wire	400mm
3	Y motor wire	400mm
4	Left Z motor wire	400mm
5	Right Z motor wire	900mm
6	X limited switch wire	550mm
7	Y limited switch wire	700mm
8	Z limited switch wire	200mm
9	Extruder motor wire	900mm
10	4010 Fan wire	1100mm
11	5015 Blower wire	1100mm
12	Heating pipe wire	1000mm
13	Extruder thermistor wire	1000mm
14	Hotbed wire	900mm
15	X Belt	1500mm
16	Y Belt	
17	Screen wire	500mm

# Assembly Step 30

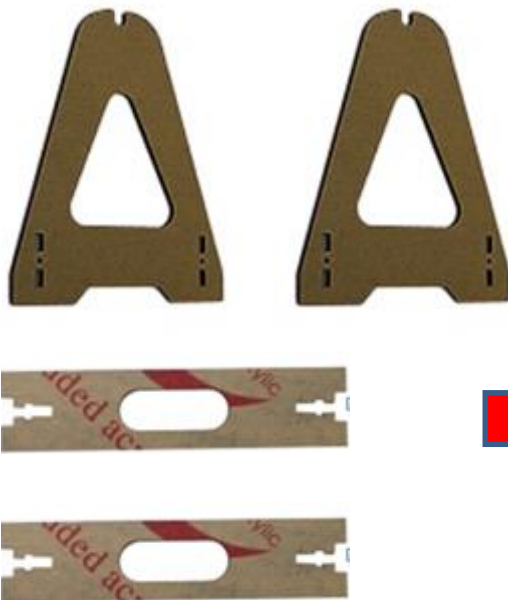
**Attention: Please connect the electronics wire to each components correspondingly.**



# Assembly Step 31

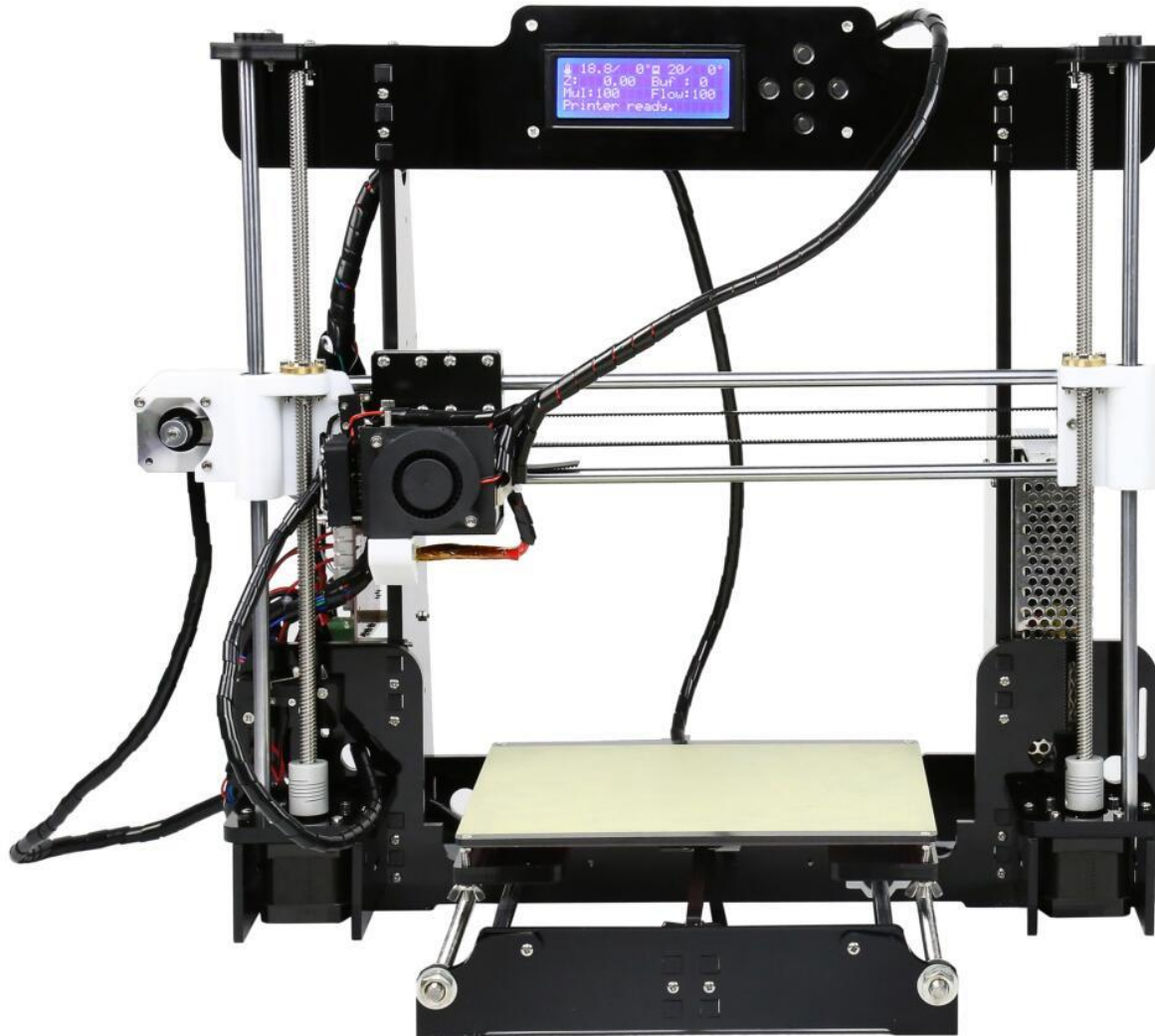


Name of QTY. of printer part		
Item	Name of parts	QTY.
1	Filament support plate	2
2	Filament support plate connecting plate	2
3	Threaded rod 150mm	1
4	M8 screw	4
5	M3*18 screw	4
6	M3 Nut	4

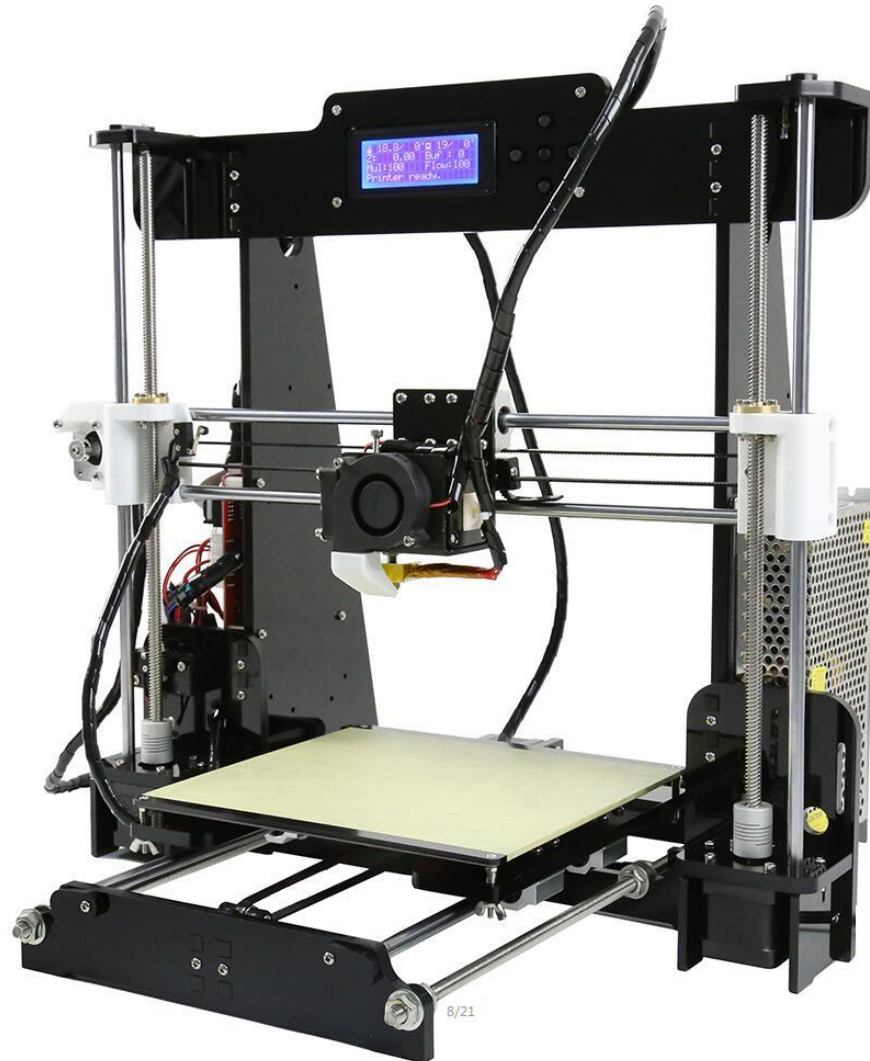




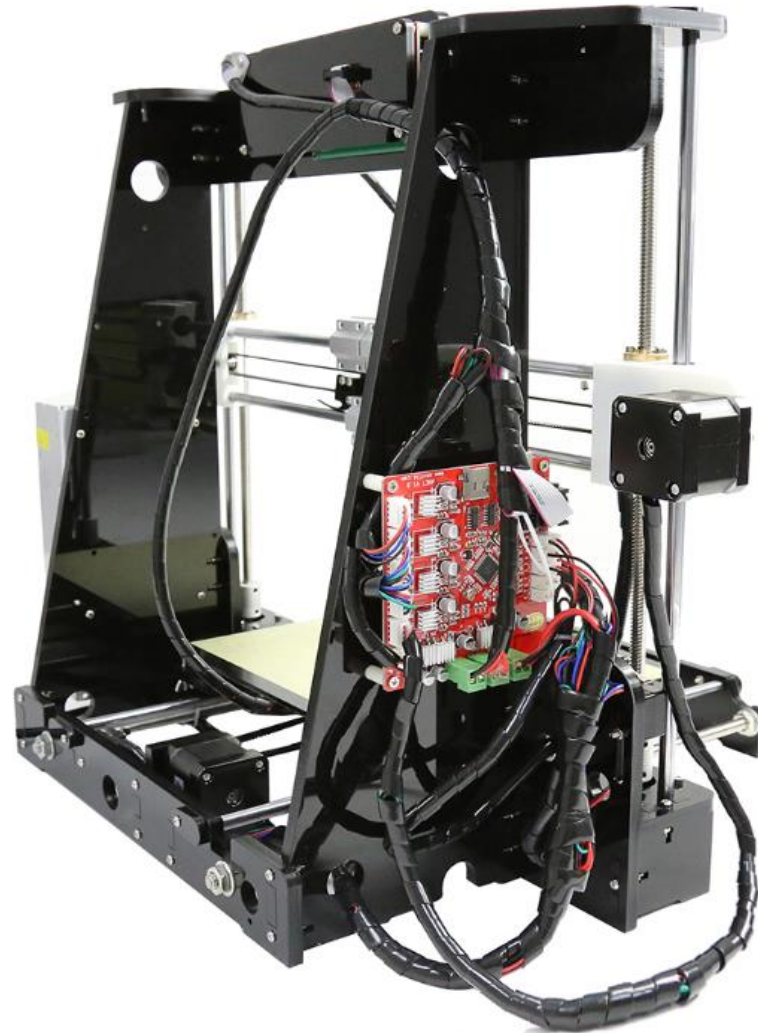
# Assembly Step 32 Installation Picture 1



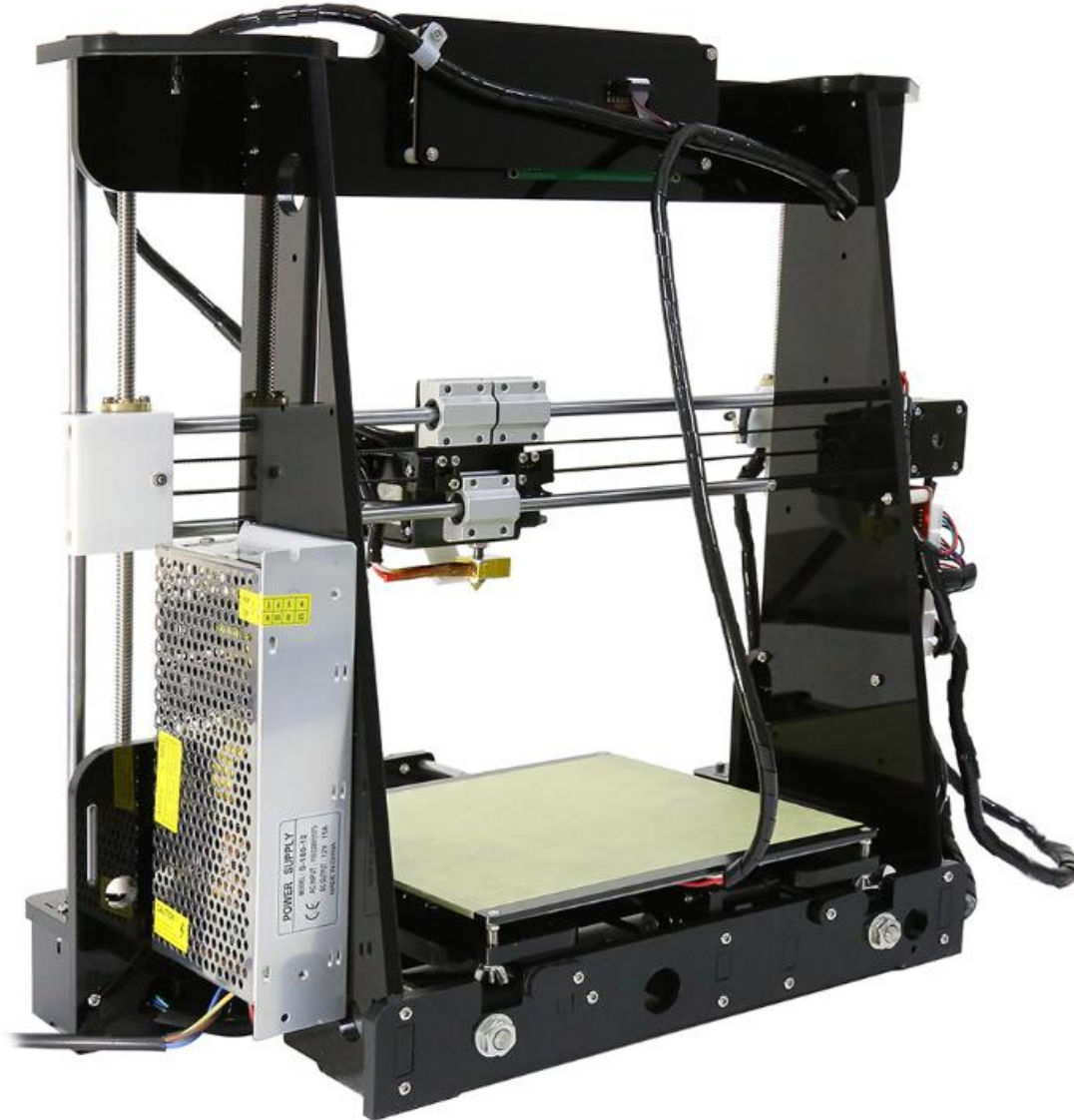
# Assembly Step 32 Installation Picture 2



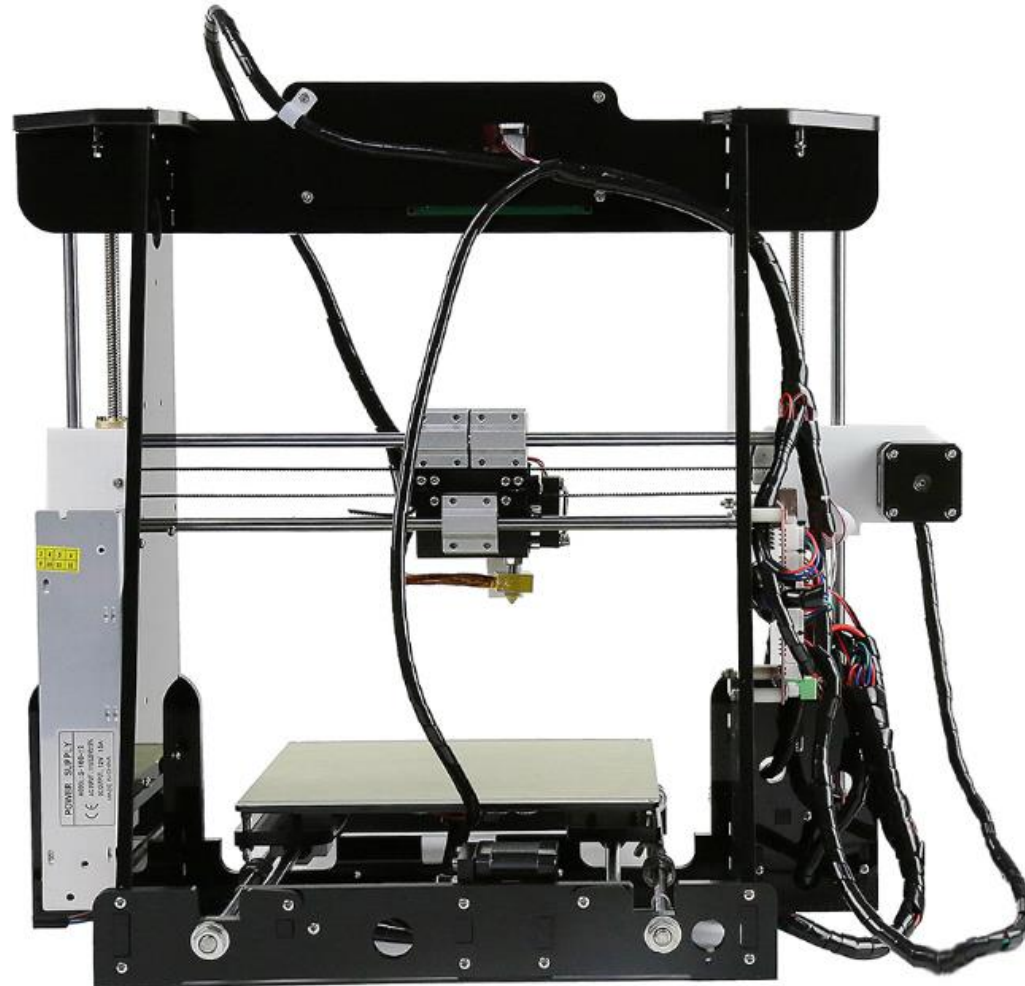
# Assembly Step 32 Installation Picture 3



# Assembly Step 32 Installation Picture 4



# Assembly Step 32 Installation Picture 5



# Installation Complete

- **Congratulations ! You have just made yourself a 3D printer !**
- **Please contact your 3D printer supplier if any puzzles during using process.**
- **Thank you for choosing our products, we will always provide you more services.**