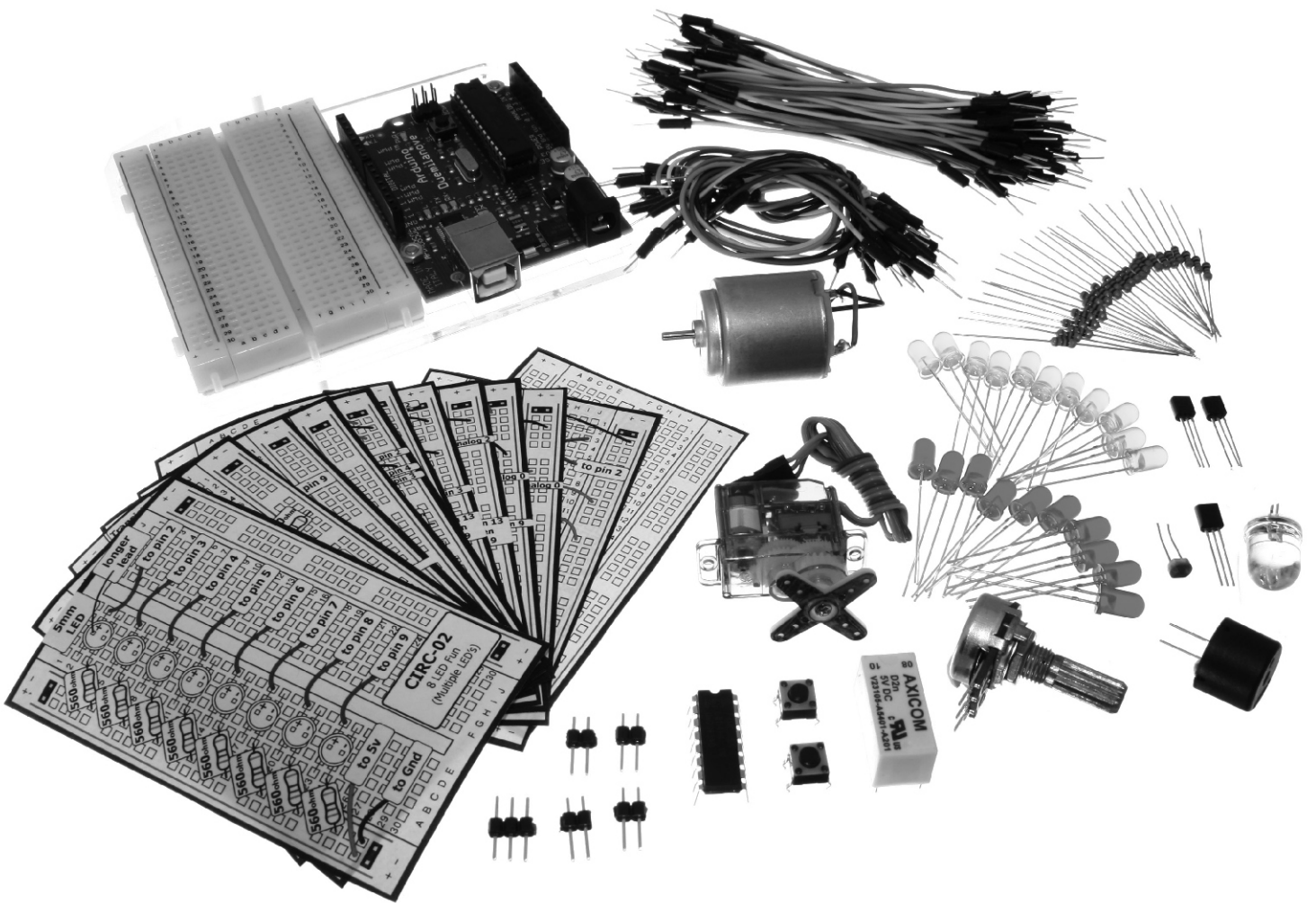


Arduino Experimenter's Guide



(ARDX)

A Few Words

About this Kit

The overall goal of this kit is fun. Beyond this, the aim is to get you comfortable using a wide range of electronic components through small, simple and easy circuits. The focus is to get each circuit working then giving you the tools to figure out why. If you encounter any problems, want to ask a question, or would like to know more about any part, extra help is only an e-mail away help@oomlout.com.



About Open Source Hardware

All of .:oomlout:.'s projects are open source. What does this mean? It means everything involved in making this kit, be it this guide, 3D models, or code is available for free download. But it goes further, you're also free to reproduce and modify any of this material, then distribute it for yourself. The catch? Quite simple; it is released under a Creative Commons (By - Share Alike) license. This means you must credit .:oomlout:. in your design and share your developments in a similar manner. Why? We grew up learning and playing with open source software and the experience was good fun, we think it would be lovely if a similar experience was possible with physical things.

(more details on the Creative Commons CC (By - Share Alike) License can be found at)
(<http://tinyurl.com/2dkzmd>)

About .: oomlout :.

We're a plucky little design company focusing on producing
"delightfully fun open source products"

To check out what we are up to

<http://www.oomlout.com>

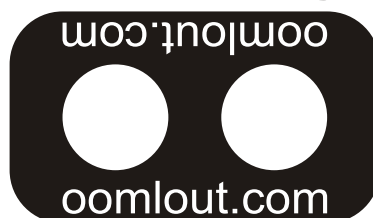
About Problems

We strive to deliver the highest level of quality in each and every thing we produce. If you ever find an ambiguous instruction, a missing piece, or would just like to ask a question, we'll try our best to help out. You can reach us at:

help@oomlout.com

(we like hearing about problems it helps us improve future versions)

Thanks For Choosing .:oomlout:.



Before We Start

{ASEM}	Assembling the Pieces	02
{INST}	Installing the Software	03
{PROG}	A Small Programming Primer	04
{ELEC}	A Small Electronics Primer	06

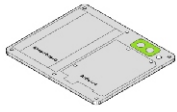
The Circuits

{CIRC01}	Getting Started - (Blinking LED)	08
{CIRC02}	8 LED Fun - (Multiple LEDs)	10
{CIRC03}	Spin Motor Spin - (Transistor and Motor)	12
{CIRC04}	A Single Servo - (Servos)	14
{CIRC05}	8 More LEDs - (74HC595 Shift Register)	16
{CIRC06}	Music - (Piezo Elements)	18
{CIRC07}	Button Pressing - (Pushbuttons)	20
{CIRC08}	Twisting - (Potentiometers)	22
{CIRC09}	Light - (Photo Resistors)	24
{CIRC10}	Temperature - (TMP36 Temperature Sensor)	26
{CIRC11}	Larger Loads - (Relays)	28

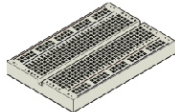
01 ASEM

assembling the pieces

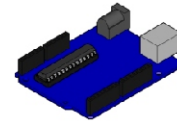
:: Putting It Together ::



Arduino Holder
x1



Breadboard
x1



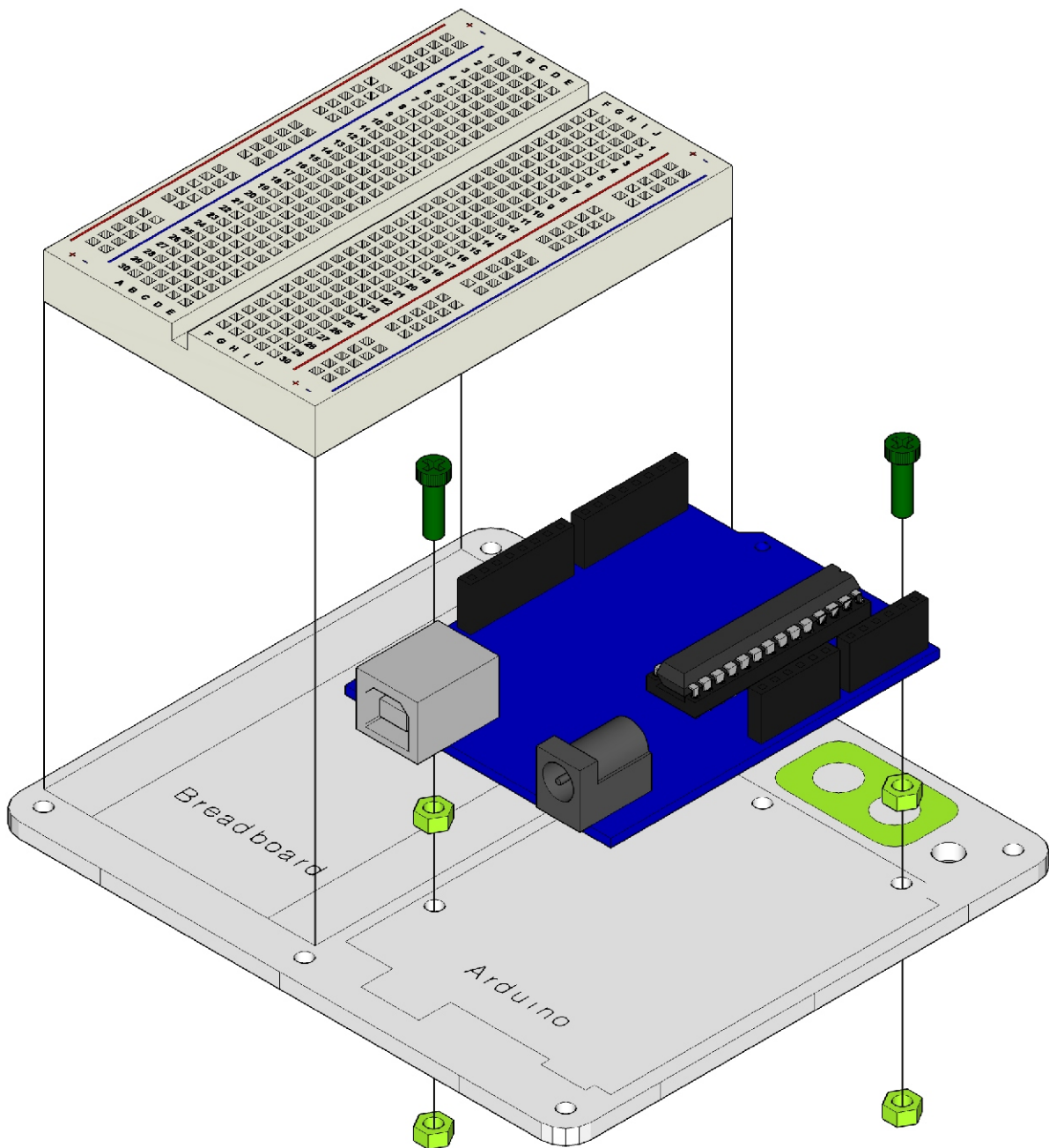
Arduino
x1



3mm x 10mm bolt
x2



3mm nut
x4



:: For an introduction to what an Arduino is visit ::
:: <http://tinyurl.com/9txjmh> ::

:: Installing the IDE ::

02 INST
installing
(software and hardware)

This is the program used to write programs for the Arduino (meta?). It may seem a little daunting at first but once you have it installed and start playing around, its secrets will reveal themselves

Step 1: Download the software

Goto

<http://arduino.cc/en/Main/Software>
And download the software for your operating system

Windows XP

Step 2: Unzip the Software

Unzip

[arduino-00XX-win.zip](#) (xx - version #)

Recommended Path

[c:\Program Files\](#)

Step 3: Shortcut Icon

Open

[c:\program files\arduino-00XX\](#) (xx - version #)

Right Click

[Arduino.exe](#) (send to>Desktop (create shortcut))

Step 4: Plug In Your Arduino

Plug your Arduino in:

using the included USB cable, plug your Arduino board into a free USB port

Wait for a box to pop up

Step 5: Add new Hardware

Skip searching the internet

(click the next box when prompted to do so)

Install from a Specific destination

(click "Install from a list or specific location (Advanced)")

Choose the Location

[c:\program files\arduino-00XX\drivers\FTDI USB Drivers\](#)

Finished

Mac OSX

Step 2: Unzip the Software

Unzip (double click)

[arduino-00XX-mac.zip](#) (xx - version #)

Move Folder

move [/arduino-00XX/](#) to [//Applications/](#)

Step 3: Alias Icons

Open

[//Applications/arduino-00XX/](#) (xx - version #)

Command Click

Make Alias

Drag to Desktop

Step 4: Install Drivers

Goto

[//Applications/Arduino-00XX/drivers/](#)

Double Click & Install

[FTDIUSBSerialDriver V2 2 9 Intel.dmg](#)

(V2_1_9.dmg if not an Intel Mac)

Restart

Step 5: Plug In Your Arduino

Plug your Arduino in:

using the included USB cable, plug your Arduino board into a free USB port

:: NOTE: ::

:: Encountering problems? ::

:: Would like more details? Using Linux? ::

::<http://tinyurl.com/r99d8u> ::

Arduino Programming in Brief

The Arduino is programmed in the C language. This is a quick little primer targeted at people who have a little bit of programming experience and just need a briefing on the idiosyncrocies of C and the Arduino IDE. If you find the concepts a bit daunting, don't worry, you can start going through the circuits and pick up most of it along the way. For a more in depth into the Arduino.cc website is a great resource (the foundations page <http://tinyurl.com/954pun>)

Structure

Each Arduino program (often called a sketch) has two required functions (also called routines).

`void setup(){ }`
All the code between the two curly brackets will be run once when your Arduino program first runs.

`void loop(){ }`
This function is run after setup has finished. After it has run once it will be run again, and again, until power is removed.

Syntax

One of the slightly frustrating elements of C is its formatting requirements (this also makes it very powerful). If you remember the following you should be alright.

`//` (single line comment)
It is often useful to write notes to yourself as you go along about what each line of code does. To do this type two back slashes and everything until the end of the line will be ignored by your program.

`/* */` (multi line comment)
If you have a lot to say you can span several lines as a comment. Everything between these two symbols will be ignored in your program.

`{ }` (curly brackets)
Used to define when a block of code starts and ends (used in functions as well as loops)

`;` (semicolon)
Each line of code must be ended with a semicolon (a missing semicolon is often the reason for a programme refusing to compile)

Variables

A program is nothing more than instructions to move numbers around in an intelligent way. Variables are used to do the moving

int (integer)
The main workhorse, stores a number in 2 bytes (16 bits). Has no decimal places and will store a value between -32,768 and 32,768.

long (long)
Used when an integer is not large enough. Takes 4 bytes (32 bits) of RAM and has a range between -2,147,483,648 and 2,147,483,648.

boolean (boolean)
A simple True or False variable. Useful because it only uses one bit of RAM.

float (float)
Used for floating point math (decimals). Takes 4 bytes (32 bits) of RAM and has a range between -3.4028235E+38 and 3.4028235E+38.

char (character)
Stores one character using the ASCII code (ie 'A' = 65). Uses one byte (8 bits) of RAM. The Arduino handles strings as an array of char's

.:For a full programming reference visit:
<http://tinyurl.com/882oxm>

Maths Operators

Operators used for manipulating numbers. (they work like simple maths)

= (assignment) makes something equal to something else (eg. `x = 10 * 2` (x now equals 20))
% (modulo) gives the remainder when one number is divided by another (ex. `12 % 10` (gives 2))
+ (addition)
- (subtraction)
* (multiplication)
/ (division)

Comparison Operators

Operators used for logical comparison

== (equal to) (eg. `12 == 10` is FALSE or `12 == 12` is TRUE)
!= (not equal to) (eg. `12 != 10` is TRUE or `12 != 12` is FALSE)
< (less than) (eg. `12 < 10` is FALSE or `12 < 12` is FALSE or `12 < 14` is TRUE)
> (greater than) (eg. `12 > 10` is TRUE or `12 > 12` is FALSE or `12 > 14` is FALSE)

Control Structure

Programs are reliant on controlling what runs next, here are the basic control elements (there are many more online)

```
if(condition){ }  
else if( condition ){ }  
else { }
```

This will execute the code between the curly brackets if the condition is true, and if not it will test the else if condition if that is also false the else code will execute.

```
for(int i = 0; i <  
#repeats; i++){ }
```

Used when you would like to repeat a chunk of code a number of times (can count up `i++` or down `i--` or use any variable)

Digital

```
pinMode(pin, mode);
```

Used to set a pins mode, pin is the pin number you would like to address (0-19 (analog 0-5 are 14-19). the mode can either be INPUT or OUTPUT.

```
digitalWrite(pin, value);
```

Once a pin is set as an OUTPUT, it can be set either HIGH (pulled to +5 volts) or LOW (pulled to ground).

```
int digitalWrite(pin);
```

Once a pin is set as an INPUT you can use this to return whether it is HIGH (pulled to +5 volts) or LOW (pulled to ground).

Analog

The Arduino is a digital machine but it has the ability to operate in the analog realm (through tricks). Here's how to deal with things that aren't digital.

```
int analogWrite(pin,  
value);
```

Some of the Arduino's pins support pulse width modulation (3, 5, 6, 9, 10, 11). This turns the pin on and off very quickly making it act like an analog output. The value is any number between 0 (0% duty cycle ~0v) and 255 (100% duty cycle ~5 volts).

```
int analogRead(pin);
```

When the analog input pins are set to input you can read their voltage. A value between 0 (for 0 volts) and 1024 (for 5 volts) will be returned

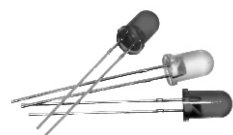
Electronics in Brief

No previous electronic experience is required to have fun with this kit. Here are a few details about each component to make identifying, and perhaps understanding them, a bit easier. If at any point you are worried about how a component is used or why its not working the internet offers a treasure trove of advice, or we can be contacted at help@oomlout.com

Component Details

LED

(Light Emitting Diode)



What it Does:

Emits light when a small current is passed through it. (only in one direction)

Identifying:

Looks like a mini light bulb.

No. of Leads:

2 (one longer this one connects to positive)

Things to watch out for:

- Will only work in one direction
- Requires a current limiting resistor

More Details on Wikipedia:

<http://tinyurl.com/zhpvy>

Diode



What it Does:

The electronic equivalent of a one way valve. Allowing current to flow in one direction but not the other.

Identifying:

Usually a cylinder with wires extending from either end. (and an off center line indicating polarity)

No. of Leads:

2

Things to watch out for:

- Will only work in one direction (current will flow if end with the line is connected to ground)

More Details on Wikipedia:

<http://tinyurl.com/ysz57b>

Resistors



What it Does:

Restricts the amount of current that can flow through a circuit.

Identifying:

Cylinder with wires extending from either end. The resistance value is displayed using a color coding system (for details see next page)

No. of Leads:

2

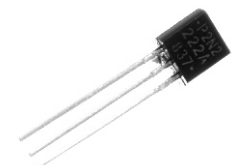
Things to watch out for:

- Easy to grab the wrong value (double check the colors before using)

More Details on Wikipedia:

<http://tinyurl.com/cmeqw5>

Transistor



What it Does:

Uses a small current to switch or amplify a much larger current.

Identifying:

Comes in many different packages but you can read the part number off the package. (2N222A in this kit and find a datasheet online)

No. of Leads:

3 (Base, Collector, Emitter)

Things to watch out for:

- Plugging in the right way round.(also a current limiting resistor is often needed on the base pin)

More Details on Wikipedia:

<http://tinyurl.com/eazkn>

Hobby Servo



What it Does:

Takes a timed pulse and converts it into an angular position of the output shaft.

Identifying:

A plastic box with 3 wires coming out one side and a shaft with a plastic horn out the top.

No. of Leads:

3

Things to watch out for:

- The plug is not polarized so make sure it is plugged in the right way.

More Details:

<http://tinyurl.com/4zo4he>

DC Motor



What it Does:

Spins when a current is passed through it.

Identifying:

This one is easy, it looks like a motor. Usually a cylinder with a shaft coming out of one end

No. of Leads:

2

Things to watch out for:

- Using a transistor or relay that is rated for the size of motor you're using.

More Details on Wikipedia:

<http://tinyurl.com/d826yh>

Component Details (cont.)

Piezo Element



What it Does:

A pulse of current will cause it to click a stream of pulses will cause it to emit a tone.

Identifying:

In this kit it comes in a little black barrel, but sometimes they are just a gold disc.

No. of Leads:

2

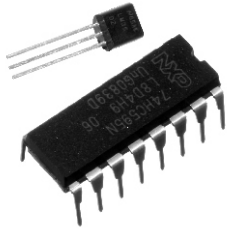
Things to watch out for:

- Difficult to misuse.

More Details:

<http://tinyurl.com/38crmu>

IC (Integrated Circuit)



What it Does:

Packages any range of complicated electronics inside, an easy to use form factor

Identifying:

The part ID is written on the outside of the package. (this sometimes requires a lot of light or a magnifying glass to read)

No. of Leads:

2 - 100s (in this kit there is one with 3 (TMP36) and one with 16 (74HC595)

Things to watch out for:

- Proper orientation.(look for marks showing pin 1)

More Details:

<http://tinyurl.com/87k4d>

Pushbutton



What it Does:

Completes a circuit when it is pressed

Identifying:

A little square with leads out the bottom and a button on the top.

No. of Leads:

4

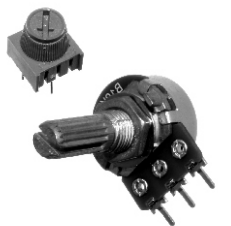
Things to watch out for:

- these are almost square so can be inserted 90 degrees off angle.

More Details:

<http://tinyurl.com/cmts7d>

Potentiometer



What it Does:

Produces a variable resistance dependant on the angular position of the shaft.

Identifying:

They can be packaged in many different form factors, look for a dial to identify.

No. of Leads:

3

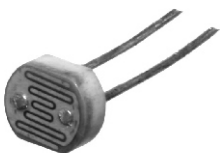
Things to watch out for:

- Accidentally buying logarithmic scale.

More Details:

<http://tinyurl.com/28pbhd>

Photo Resistor



What it Does:

Produces a variable resistance dependant on the amount of incident light.

Identifying:

Usually a little disk with a clear top and a curvy line underneath.

No. of Leads:

2

Things to watch out for:

- Remember it needs to be in a voltage divider before it provides a useful input.

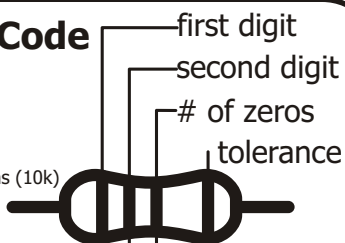
More Details:

<http://tinyurl.com/c2wdkw>

Resistor Color Code

Examples:

green-blue-brown - 560 ohms
red-red-red - 2 200 ohms (2.2k)
brown-black-orange - 10 000 ohms (10k)



0 - Black	5 - Green	20% - none
1 - Brown	6 - Blue	10% - silver
2 - Red	7 - Purple	5% - gold
3 - Orange	8 - Grey	
4 - Yellow	9 - White	

Lead Clipping

Some components in this kit come with very long wire leads. To make them more compatible with a breadboard a couple of changes are required.

LEDs:

Clip the leads so the long lead is ~7mm long and the short one is ~5mm

Resistors:

Bend the leads down so they are 90 degrees to the cylinder. Then snip them so they are ~6mm long.

Other Components:

Other components may need clipping use your discretion when doing so.

CIRC-01

.:Getting Started:. .:(Blinking LED):.



What We're Doing:

LED's (light emitting diodes) are used in all sorts of clever things which is why we have included them in this kit. We will start off with something very simple, turning one on and off, repeatedly, producing a pleasant blinking effect. To get started grab the parts listed below, pin the layout sheet to your breadboard and then plug everything in. Once the circuit is assembled you'll need to upload the program. To do this plug the Arduino board into your USB port. Then select the proper port in **Tools > Serial Port > (the comm port of your Arduino)**. Next upload the program by going to **File > Upload to I/O Board (ctrl+U)**. Finally bask in the glory and possibility that controlling lights offers.

If you are having trouble uploading, a full trouble shooting guide can be found here: <http://tinyurl.com/89s2po>

The Circuit:

Parts:



CIRC-01
Breadboard sheet
x1



2 Pin Header
x4



10mm LED
x1

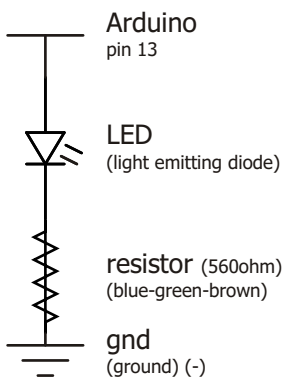


Wire



560 Ohm Resistor
Green-Blue-Brown
x1

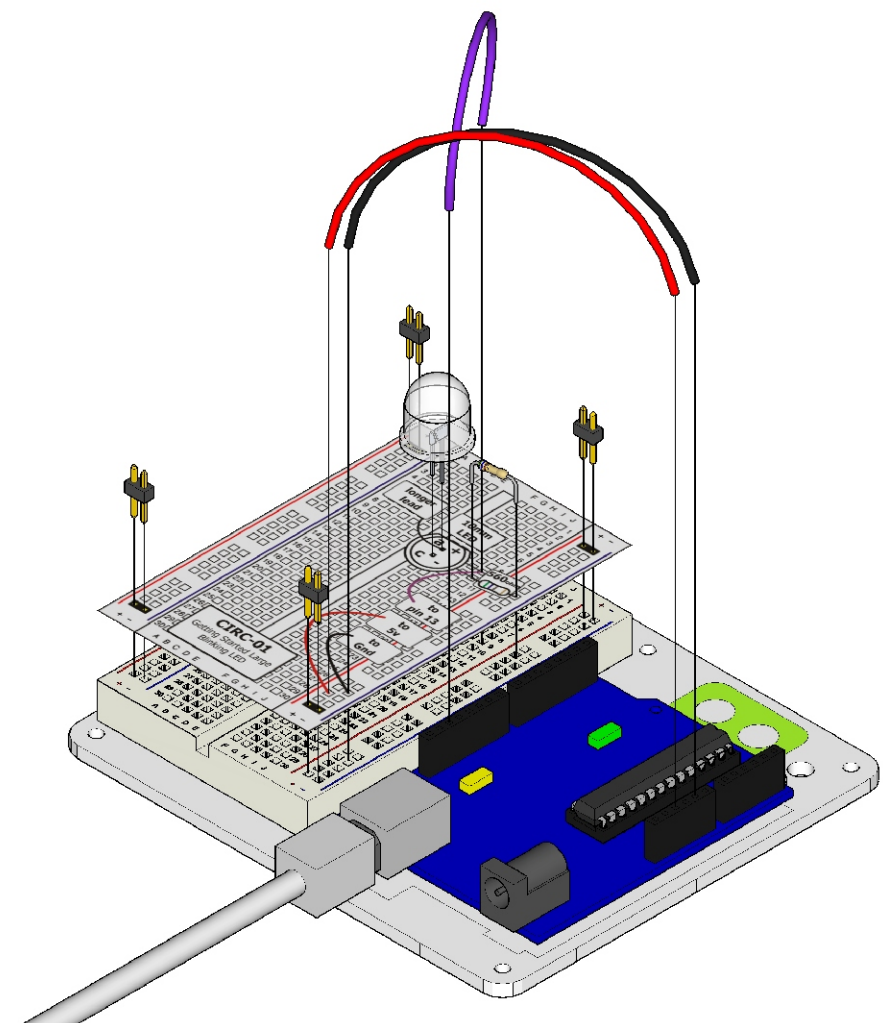
Schematic:



The Internet

..download..
printable
breadboard overlay
<http://tinyurl.com/qukhvc>

..view..
video of the circuit
being assembled
<http://tinyurl.com/cwhx27>



Code (no need to type everything in just)

File > Sketchbook > Examples > Digital > Blink

(example from the great arduino.cc site check it out for other ideas)

```

/*
 * Blink
 *
 * The basic Arduino example. Turns an LED on for one second,
 * then off for one second, and so on... We use pin 13 because,
 * depending on your Arduino board, it has either a built-in LED
 * or a built-in resistor so that you need only an LED.
 *
 * http://www.arduino.cc/en/Tutorial/Blink
 */

int ledPin = 13;           // LED connected to digital pin 13

void setup()              // run once, when the sketch starts
{
  pinMode(ledPin, OUTPUT); // sets the digital pin as output
}

void loop()               // run over and over again
{
  digitalWrite(ledPin, HIGH); // sets the LED on
  delay(1000);               // waits for a second
  digitalWrite(ledPin, LOW);  // sets the LED off
  delay(1000);               // waits for a second
}

```

Not Working? (3 things to try)

LED Not Lighting Up?

LEDs will only work in one direction.
try taking it out and twisting it 180 degrees.
(no need to worry, installing it backwards does no permanent harm)

Program Not Uploading

This happens sometimes, the most likely cause is a confused serial port, you can change this in **tools>serial port>**

Still No Success?

A broken circuit is no fun, send us an e-mail and we will get back to you as soon as we can.

help@oomlout.com

Making it Better

Changing the pin:

The LED is connected to pin 13 but we can use any of the Arduino's pins. To change it take the wire plugged into pin 13 and move it to a pin of your choice (from 0-13) (you can also use analog 0-5 analog 0 is 14...)

Then in the code change the line:

```
int ledPin = 13; -> int ledPin = (newpin);
```

Then upload the sketch: (ctrl-u)

Change the Blink Time:

Unhappy with one second on one second off?

In the code change the lines:

```
digitalWrite(ledPin, HIGH);
delay(time on); //(seconds * 1000)
digitalWrite(ledPin, LOW);
delay(time off); //(seconds * 1000)
```

Control the Brightness:

Along with digital (on/off) control the Arduino can control some pins in an analog (brightness) fashion. (more details on this in later circuits). To play around with it.

Change the LED to pin 9: (also change the wire)

```
ledPin = 13; -> int ledPin = 9;
```

Replace the loop() code with:

```
analogWrite(ledPin, (new number));
```

(new number) = any number between 0 and 255.

0 = off, 255 = on, in between = different brightness

Fading:

We will use another included example program. To open go to.

File > Sketchbook > Examples > Analog > Fade

Then upload to your board and watch as the LED fades in and then out.

More, More, More:

More details, where to buy more parts, where to ask more questions.

<http://tinyurl.com/cmn5nh>

CIRC-02

.:8 LED Fun.: .:Multiple LED's.:



What We're Doing:

We have caused one LED to blink, now its time to up the stakes. Lets connect eight. We'll also have an opportunity to stretch the Arduino a bit by creating various lighting sequences. This circuit is also a nice setup to experiment with writing your own programs and getting a feel for how the Arduino works.

Along with controlling the LEDs we start looking into a few simple programming methods to keep your programs small.

for() loops - used when you want to run a piece of code several times.

arrays[] - used to make managing variables easier (its a group of variables)

The Circuit:

Parts:



CIRC-02
Breadboard sheet
x1



2 Pin Header
x4



5mm GreenLED
x8

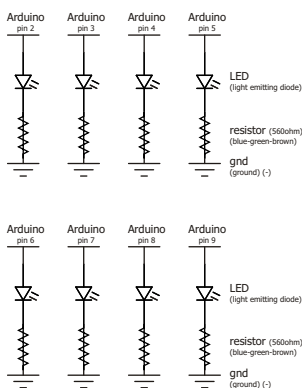


Wire



560 Ohm Resistor
Green-Blue-Brown
x8

Schematic:



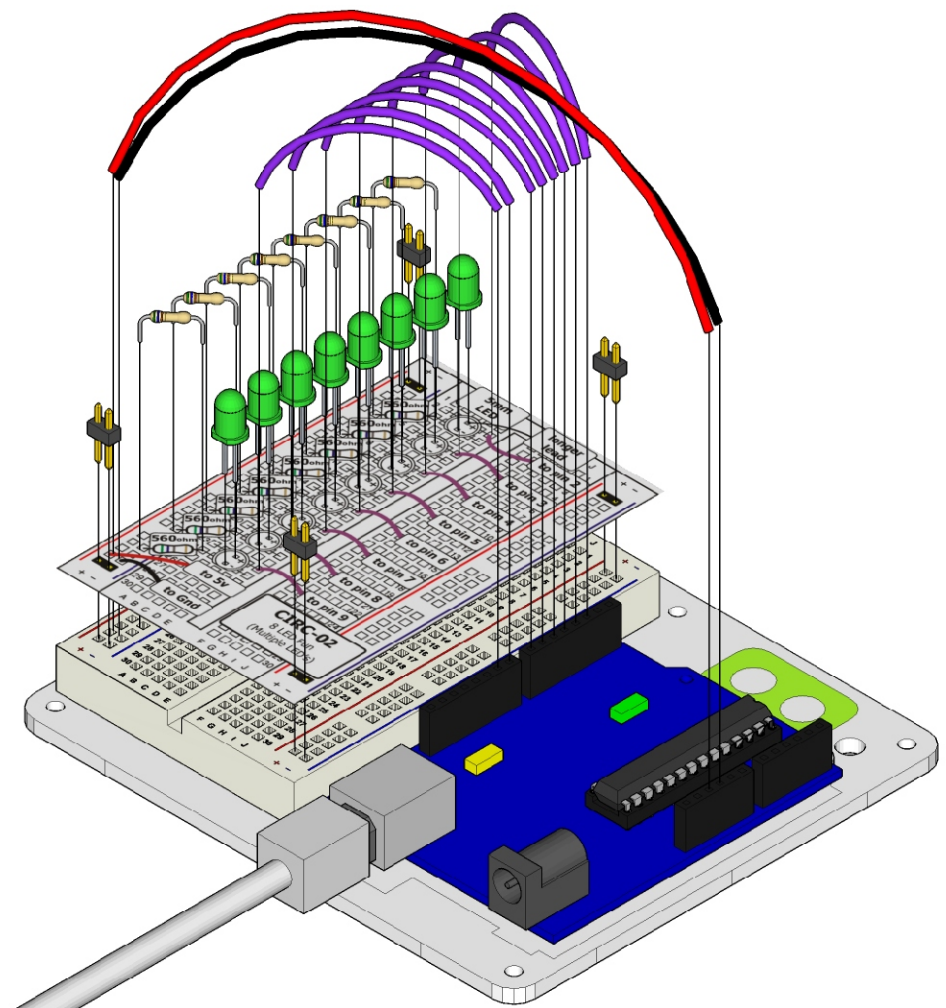
The Internet

..download..

printable
breadboard overlay
<http://tinyurl.com/d4gmo>

..view..

video of the circuit
being assembled
<http://tinyurl.com/coafoh>



Code (no need to type everything in just)**Download the Code from (<http://tinyurl.com/dkpxbn>)**

(and then copy the text and paste it into an empty Arduino Sketch)

```
//LED Pin Variables
int ledPins[] = {2,3,4,5,6,7,8,9};
//An array to hold the
//pin each LED is connected to
//i.e. LED #0 is connected to pin 2

void setup()
{
  for(int i = 0; i < 8; i++){
    //this is a loop and will repeat eight times
    pinMode(ledPins[i],OUTPUT);
    //we use this to set LED pins to output
  }
}

void loop() // run over and over again
{
  oneAfterAnotherNoLoop();
  //this will turn on each LED one by
  //one then turn each oneoff
  //oneAfterAnotherLoop();
  //this does the same as onAfterAnotherNoLoop
  //but with much less typing
  //oneOnAtATime();
  //inAndOut();
}

/*
 * oneAfterAnotherNoLoop() - will light one then
 * delay for delayTime then light the next LED it
 * will then turn them off

void oneAfterAnotherNoLoop(){
  int delayTime = 100;
  //the time (in milliseconds) to pause
  //between LEDs
  digitalWrite(ledPins[0], HIGH); //Turns on LED #0
  //connected to pin 2
  delay(delayTime); //waits delayTime milliseconds
  ...
  digitalWrite(ledPins[7], HIGH); //Turns on LED #7
  //connected to pin 9
  delay(delayTime); //waits delayTime milliseconds
  //Turns Each LED Off
  digitalWrite(ledPins[7], LOW); //Turns off LED #7
  delay(delayTime); //waits delayTime milliseconds
  ...
  -----more code in the downloadable version-----
}

```

Not Working? (3 things to try)**Some LEDs Fail to Light**

It is easy to insert an LED backwards. Check the LEDs that aren't working and ensure they the right way around.

Operating out of sequence

With eight wires it's easy to cross a couple. Double check that the first LED is plugged into pin 2 and each pin there after.

Starting Afresh

Its easy to accidentally misplace a wire without noticing. Pulling everything out and starting with a fresh slate is often easier than trying to track down the problem.

Making it Better**Switching to Loops:**

in the loop() function there are 4 lines. The last three all start with a '/' this means the line is treated as a comment (not run). To switch the program to use loops change the void loop() code to:

```
//oneAfterAnotherNoLoop();
oneAfterAnotherLoop();
//oneOnAtATime();

//inAndOut();
```

Upload the program, and notice that nothing has changed. You can take a look at the two functions, each does the same thing, but use different approaches (hint the second one uses a for loop)

Extra Animations:

Tired of this animation? Then try the other two sample animations. Uncomment their lines and upload the program to your board and enjoy the new light animations. (delete the slashes in front of row 3 and then 4)

Testing out your own Animations:

Jump into the included code and start changing things. The main point is to turn an LED on use digitalWrite(pinNumber, HIGH); then to turn it off use digitalWrite(pinNumber, LOW); . Type away, regardless of what you change you won't break anything.

More, More, More:

More details, where to buy more parts, where to ask more questions.

<http://tinyurl.com/d2hrud>



What We're Doing:

The Arduino's pins are great for directly controlling small electric items like LEDs. However, when dealing with larger items (like a toy motor or washing machine), an external transistor is required. A transistor is incredibly useful. It switches a lot of current using a much smaller current. A transistor has 3 pins. For a negative type (NPN) transistor you connect your load to collector and the emitter to ground. Then when a small current flows from base to the emitter a current will flow through the transistor and your motor will spin (this happens when we set our Arduino pin HIGH). There are literally thousands of different types of transistors, allowing every situation to be perfectly matched. We have chosen a 2N222A a rather common general purpose transistor. The important factors in our case are that its maximum voltage (40 v) and its maximum current (600 milliamp) are both high enough for our toy motor (full details can be found on its datasheet <http://tinyurl.com/o2cm93>)

(The 1N4001 diode is acting as a flyback diode for details on why its there visit: <http://tinyurl.com/b559mx>)

The Circuit:

Parts:



CIRC-03
Breadboard sheet
x1



2 Pin Header
x4



Transistor
2N222A (TO92)
x1



Wire



2.2k Ohm Resist
Red-Red-Red
x1

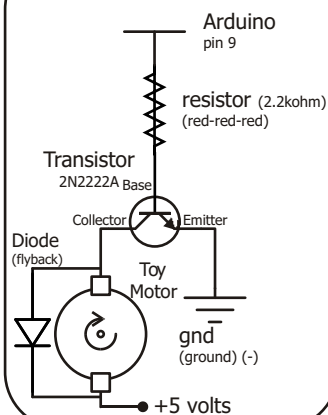


Toy Motor
x1



Diode
(1N4001)
x1

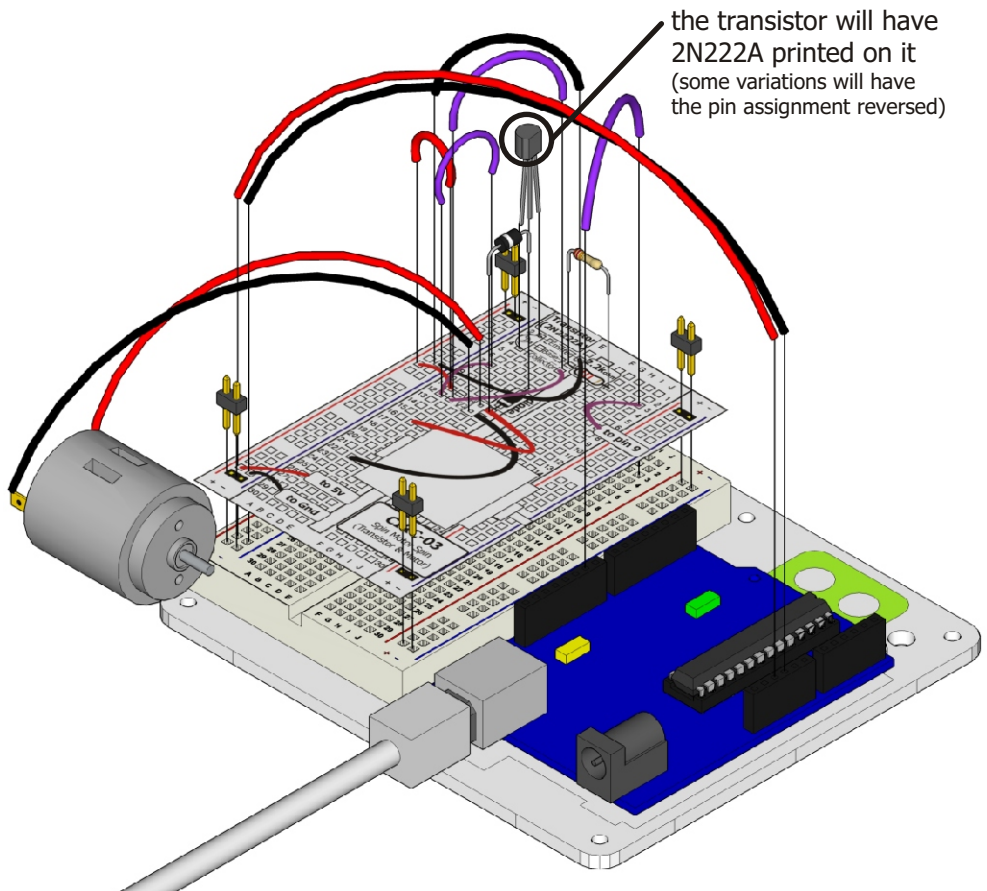
Schematic:



The Internet

..:download:..
printable
breadboard overlay
<http://tinyurl.com/d6jv63>

..:view:..
video of the circuit
being assembled
<http://tinyurl.com/djapig>



Code (no need to type everything in just)**Download the Code from (<http://tinyurl.com/dagyrb>)**

(then simply copy the text and paste it into an empty Arduino Sketch)

```

int motorPin = 9; //pin the motor is connected to

void setup() //runs once
{
  pinMode(motorPin, OUTPUT);
}

void loop()      // run over and over again
{
  motorOnThenOff();
  //motorOnThenOffWithSpeed();
  //motorAcceleration();
}

/*
 * motorOnThenOff() - turns motor on then off
 * (notice this code is identical to the code we
used for
 * the blinking LED)
 */
void motorOnThenOff(){
  int onTime = 2500; //on time
  int offTime = 1000; //off time
  digitalWrite(motorPin, HIGH);
  // turns the motor On
  delay(onTime); // waits for onTime milliseconds
  digitalWrite(motorPin, LOW);
  // turns the motor Off
  delay(offTime); // waits for offTime milliseconds
}

void motorOnThenOffWithSpeed(){
  int onSpeed = 200; // a number between
  //0 (stopped) and 255 (full speed)
  int onTime = 2500;
  int offSpeed = 50; // a number between
  //0 (stopped) and 255 (full speed)
  int offTime = 1000;
  analogWrite(motorPin, onSpeed);
  // turns the motor On
  delay(onTime); // waits for onTime milliseconds
  analogWrite(motorPin, offSpeed);
  // turns the motor Off
  delay(offTime); // waits for offTime milliseconds
}

void motorAcceleration(){
  int delayTime = 50; //time between each speed step
  for(int i = 0; i < 256; i++){
    //goes through each speed from 0 to 255
    analogWrite(motorPin, i); //sets the new speed
    delay(delayTime); // waits for delayTime milliseconds
  }
  for(int i = 255; i >= 0; i--){
    //goes through each speed from 255 to 0
    analogWrite(motorPin, i); //sets the new speed
    delay(delayTime); //waits for delayTime milliseconds
  }
}

```

Not Working? (3 things to try)**Motor Not Spinning?**

Different manufacturers produce the same transistor with different pin assignments. Try turning the transistor 180 degrees.

Transistor Getting Hot

The transistor will get warm, in most cases this is okay, if you are worried about the temperature turn the circuit off for a bit and let it cool down.

Still Not Working?

Sometimes the Arduino board will disconnect from the computer. Try un-plugging and then re-plugging it into your USB port.

Making it Better**Controlling Speed:**

We played with the Arduino's ability to control the brightness of an LED earlier now we will use the same feature to control the speed of our motor. The arduino does this using something called Pulse Width Modulation (PWM). This relies on the Arduino's ability to operate really really fast. Rather than directly controlling the voltage coming from the pin the Arduino will switch the pin on and off very quickly. In the computer world this is going from 0 to 5 volts many times a second, but in the human world we see it as a voltage. For example if the Arduino is PWM'ing at 50% we see the light dimmed 50% because our eyes are not quick enough to see it flashing on and off. The same feature works with transistors. Don't believe me? Try it out.

In the loop() section change it to this

```

// motorOnThenOff();
// motorOnThenOffWithSpeed();
//motorAcceleration();

```

Then upload the programme. You can change the speeds by changing the variables onSpeed and offSpeed

Accelerating and decelerating:

Why stop at two speeds, why not accelerate and decelerate the motor. To do this simply change the loop() code to read

```

// motorOnThenOff();
// motorOnThenOffWithSpeed();
// motorAcceleration();

```

Then upload the program and watch as your motor slowly accelerates up to full speed then slows down again. If you would like to change the speed of acceleration change the variable delayTime (larger means a longer acceleration time)

More, More, More:

More details, where to buy more parts, where to ask more questions.

<http://tinyurl.com/d4wht7>

..:A Single Servo:.. ..:Servos:..



What We're Doing:

Spinning a motor is good fun but when it comes to projects where motion control is required they tend to leave us wanting more. The answer? Hobby servos. They are mass produced, widely available and cost anything from a couple of dollars to hundreds. Inside is a small gearbox (to make the movement more powerful) and some electronics (to make it easier to control). A standard servo is positionable from 0 to 180 degrees. Positioning is controlled through a timed pulse, between 1.25 milliseconds (0 degrees) and 1.75 milliseconds (180 degrees) (1.5 milliseconds for 90 degrees). Timing varies between manufacturer. If the pulse is sent every 25-50 milliseconds the servo will run smoothly. One of the great features of the Arduino is it has a software library that allows you to control two servos (connected to pin 9 or 10) using a single line of code.

The Circuit:

Parts:



CIRC-04
Breadboard sheet
x1



2 Pin Header
x4



3 Pin Header
x1

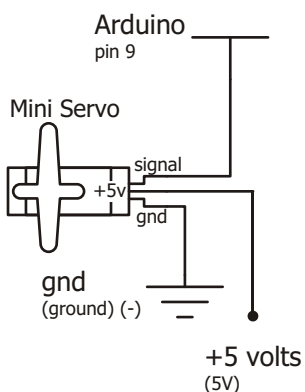


Wire



Mini Servo
x1

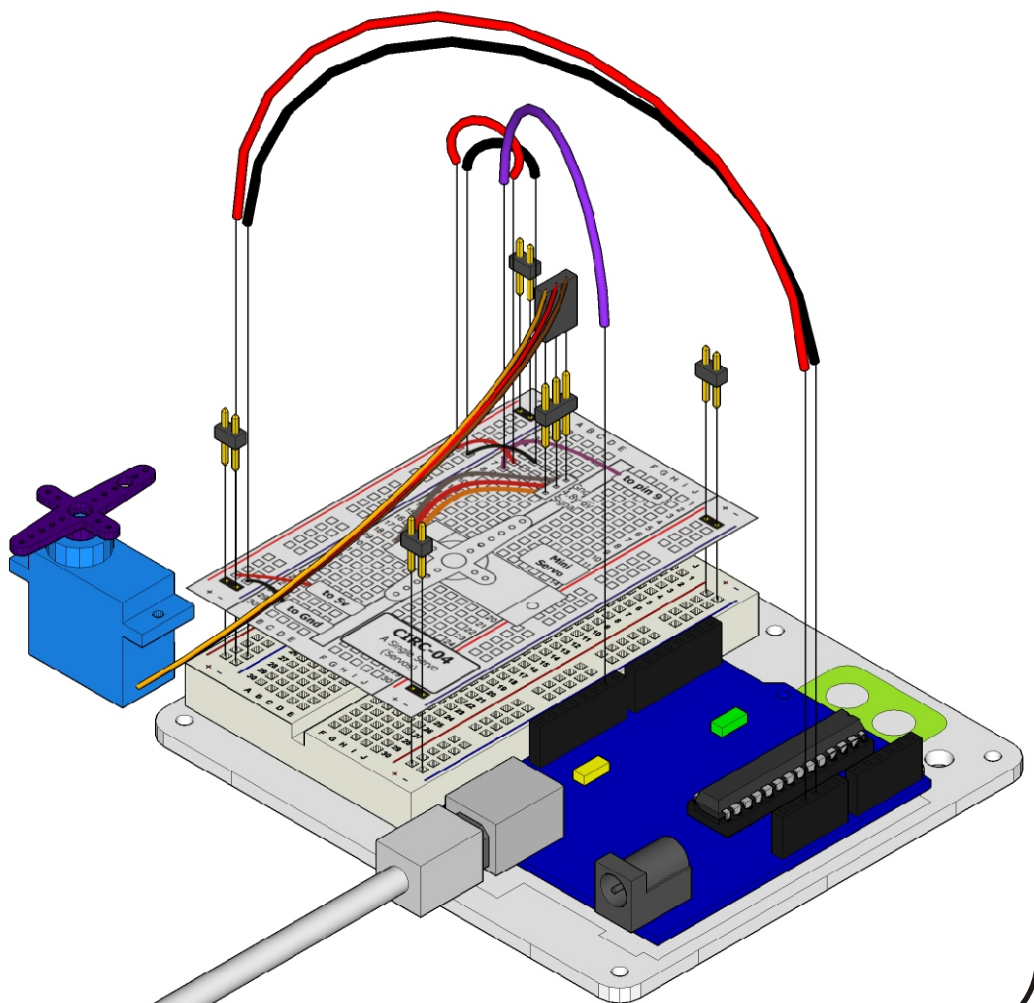
Schematic:



The Internet

..:download:..
printable
breadboard overlay
<http://tinyurl.com/db5fcm>

..:view:..
video of the circuit
being assembled
<http://tinyurl.com/d52954>



Code (no need to type everything in just)**File > Sketchbook > Examples > Library-Servo > Sweep**

(example from the great arduino.cc site check it out for other great ideas)

```
// Sweep
// by BARRAGAN <http://barraganstudio.com>

#include <Servo.h>
Servo myservo; // create servo object to control a servo
int pos = 0; // variable to store the servo position

void setup() {
  myservo.attach(9); // attaches the servo on pin 9 to the servo object
}

void loop() {
  for(pos = 0; pos < 180; pos += 1) // goes from 0 degrees to 180 degrees
  { // in steps of 1 degree
    myservo.write(pos); // tell servo to go to position in variable 'pos'
    delay(15); // waits 15ms for the servo to reach the position
  }
  for(pos = 180; pos>=1; pos-=1) // goes from 180 degrees to 0 degrees
  {
    myservo.write(pos); // tell servo to go to position in variable 'pos'
    delay(15); // waits 15ms for the servo to reach the position
  }
}
```

Not Working? (3 things to try)**Servo Not Twisting?**

Even with colored wires it is still shockingly easy to plug a servo in backwards. This might be the case.

Still not Working

Unfortunately some servos do break when plugged in backwards.

Sad Your Servo is Broken?

Don't worry they are only a few dollars, plus taking one apart is good fun (you can try running the motor directly with a transistor)

Making it Better**Potentiometer Control:**

We have yet to experiment with inputs but if you would like to read ahead, there is an example program **File > Sketchbook > Examples > Library-Servo > Knob**. This uses a potentiometer (CIRC08) to control the servo. You can find instructions online here: <http://tinyurl.com/dymk2>

Self Timing:

While it is easy to control a servo using the Arduino's included library sometimes it is fun to figure out how to program something yourself. Try it. We're controlling the pulse directly so you could use this method to control servos on any of the Arduino's 20 available pins (you need to highly optimize this code before doing that).

```
int servoPin = 9;

void setup(){
  pinMode(servoPin,OUTPUT);
}
```

```
void loop() {
  int pulseTime = 2100; //(the number of microseconds
                        //to pause for (1500 90 degrees
                        // 900 0 degrees 2100 180 degrees)
  digitalWrite(servoPin, HIGH);
  delayMicroseconds(pulseTime);
  digitalWrite(servoPin, LOW);
  delay(25);
}
```

Great Ideas:

Servos can be used to do all sorts of great things, here are a few of our favorites.

Xmas Hit Counter
<http://tinyurl.com/37djhq>

Open Source Robotic Arm (uses a servo controller as well as the Arduino)
<http://tinyurl.com/ckm3wd>

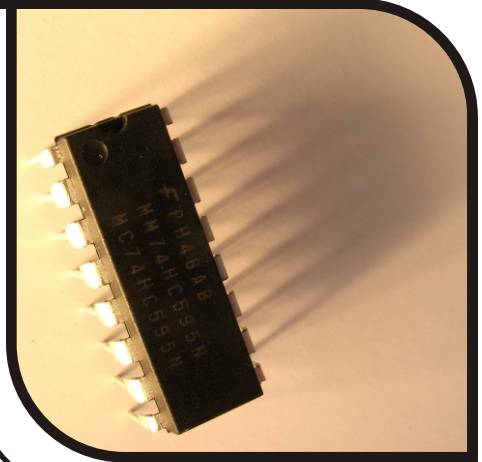
Servo Walker
<http://tinyurl.com/da5jfe>

More, More, More:

More details, where to buy more parts, where to ask more questions.

<http://tinyurl.com/djwlop>

.:8 More LED's.: .:74HC595 Shift Register.:



What We're Doing:

Time to start playing with chips. Or integrated circuits (ICs) as they like to be called. The external packaging of a chip can be very deceptive for example the chip on the Arduino board (a micro controller) and the one we will use in this circuit (a shift register) look very similar but are in fact rather different, for example the price of the Atmega chip on the arduino board is a few dollars while the 74hc595 is a couple dozen cents. It's a good introductory chip, and once your comfortable playing around with it and its datasheet (available online <http://tinyurl.com/pr42xe>) the world of chips will be your oyster. The shift register (also called a serial to parallel converter), will give you an additional 8 outputs (to control LEDs and the like) using only four arduino pins. They can also be linked together to give you a nearly unlimited number of outputs using the same four pins. To use it you "clock in" the data and then latch it. To do this you set the data pin to either HIGH or LOW, pulse the clock, then set the data pin again and pulse the clock repeating until you have shifted out 8 bits of data. Then you pulse the latch and the 8 bits are transferred to the shift registers pins. It sounds complicated but is really simple once you get the hang of it.

(for a more in depth look at how a shift register works visit: <http://tinyurl.com/56uvv7>)

The Circuit:

Parts:



CIRC-05
Breadboard sheet
x1



2 Pin Header
x4



Shift Register
74HC595
x1



Wire

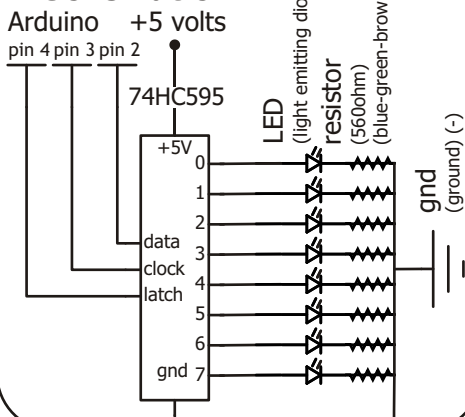


560 Ohm Resistor
Green-Blue-Brown
x8



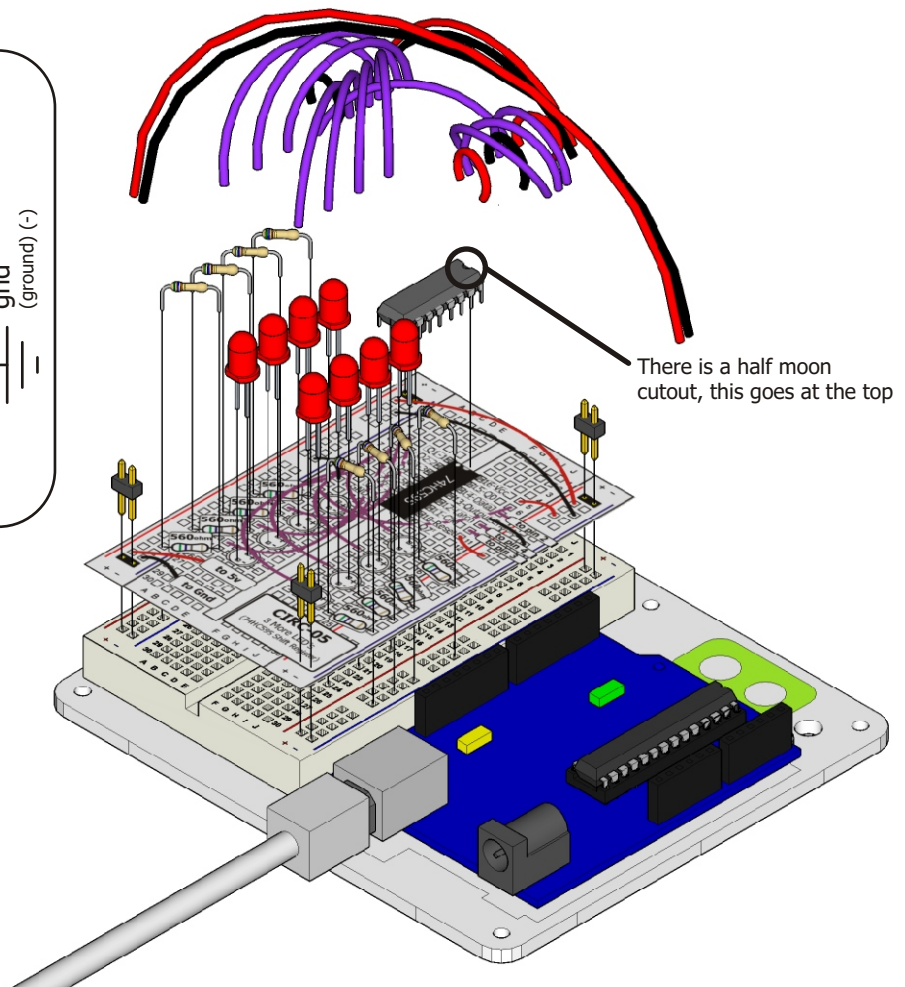
Red LED
x8

Schematic:



The Internet

.:download.:
printable
breadboard overlay
<http://tinyurl.com/d8xepz>
.:view.:
video of the circuit
being assembled
<http://tinyurl.com/c2enkv>



Code (no need to type everything in just)**Download the Code from (<http://tinyurl.com/cv4fjt>)**

(copy the text and paste it into an empty Arduino Sketch)

```
//Pin Definitions
//The 74HC595 uses a protocol called SPI
//which has three pins
int data = 2;
int clock = 3;
int latch = 4;

void setup() //runs once
{
  pinMode(data, OUTPUT);
  pinMode(clock, OUTPUT);
  pinMode(latch, OUTPUT); }

void loop() // run over and over again
{
  int delayTime = 100;
  //delay between LED updates
  for(int i = 0; i < 256; i++){
    updateLEDs(i);
    delay(delayTime); }
}

/*
 * updateLEDs() - sends the LED states set
 * in value to the 74HC595 sequence
 */
void updateLEDs(int value){
  digitalWrite(latch, LOW);
  //Pulls the chips latch low
  shiftOut(data, clock, MSBFIRST, value);
  //Shifts out 8 bits to the shift register

  digitalWrite(latch, HIGH);
  //Pulls the latch high displaying the data
}

----- More Code Online -----
```

Not Working? (3 things to try)**The Arduino's Power LED goes out**

This happened to us a couple of times, it happens when the chip is inserted backwards. If you fix it quickly nothing will break.

Not Quite Working

Sorry to sound like a broken record but it is probably something as simple as a crossed wire.

Frustration?

Shoot us an e-mail, this circuit is both simple and complex at the same time. We want to hear about problems you have so we can address them in future editions.
help@oomlout.com

Making it Better**Doing it the hard way:**

An Arduino makes rather complex actions very easy, shifting out data is one of these cases. However one of the nice features of an Arduino is you can make things as easy or difficult as you like. Lets try an example of this. In your loop switch the line.
updateLEDs(i) -> updateLEDsLong(i);
Upload the program and notice nothing has changed. If you look at the code you can see how we are communicating with the chip one bit at a time. (for more details <http://tinyurl.com/3augzd>)

Controlling Individual LEDs:

Time to start controlling the LEDs in a similar method as we did in CIRC02. As the eight LED states are stored in one byte (an 8 bit value) for details on how this works try <http://tinyurl.com/6vz53>. An Arduino is very good at manipulating bits and there are an entire set of operators that help us out. Details on bitwise maths (<http://tinyurl.com/br8dd>)

Our implementation.

Replace the loop() code with
int delayTime = 100; //the number of

```
milliseconds to delay //between LED updates
for(int i = 0; i < 8; i++){
  changeLED(i,ON);
  delay(delayTime);
}
for(int i = 0; i < 8; i++){
  changeLED(i,OFF);
  delay(delayTime);
}
```

And upload this will cause the lights to light up one after another and then off in a similar manner. Check the code and wikipedia to see how it works, or shoot us an e-mail if you have questions.

More Animations:

Now things get more interesting. If you look back to the code from CIRC02 (8 LED Fun) you see we change the LEDs using digitalWrite(led, state), this is the same format as the routine we wrote changeLED(led, state). You can use the animations you wrote for CIRC02 by copying the code into this sketch and changing all the digitalWrite()'s to changeLED()'s. Powerful? Very. (you'll also need to change a few other things but follow the compile errors and it works itself out)

More, More, More:

More details, where to buy more parts, where to ask more questions.

<http://tinyurl.com/dkjno3>



What We're Doing:

To this point we have controlled light, motion, and electrons, Lets tackle sound next. But sound is an analog phenomena, how will our digital Arduino cope?

We will once again rely on its incredible speed which will let it mimic analog behavior. To do this, we will attach a piezo element to one of the Arduino's digital pins. A piezo element makes a clicking sound each time it is pulsed with current. If we pulse it at the right frequency (ie. quickly enough) these clicks will run together to produce notes. Lets get to experimenting with it and get your Arduino playing 'Twinkle Twinkle Little Star'.

The Circuit:

Parts:



CIRC-06
Breadboard sheet
x1



2 Pin Header
x4

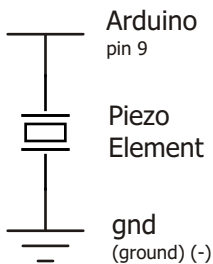


Piezo Element
x1



Wire

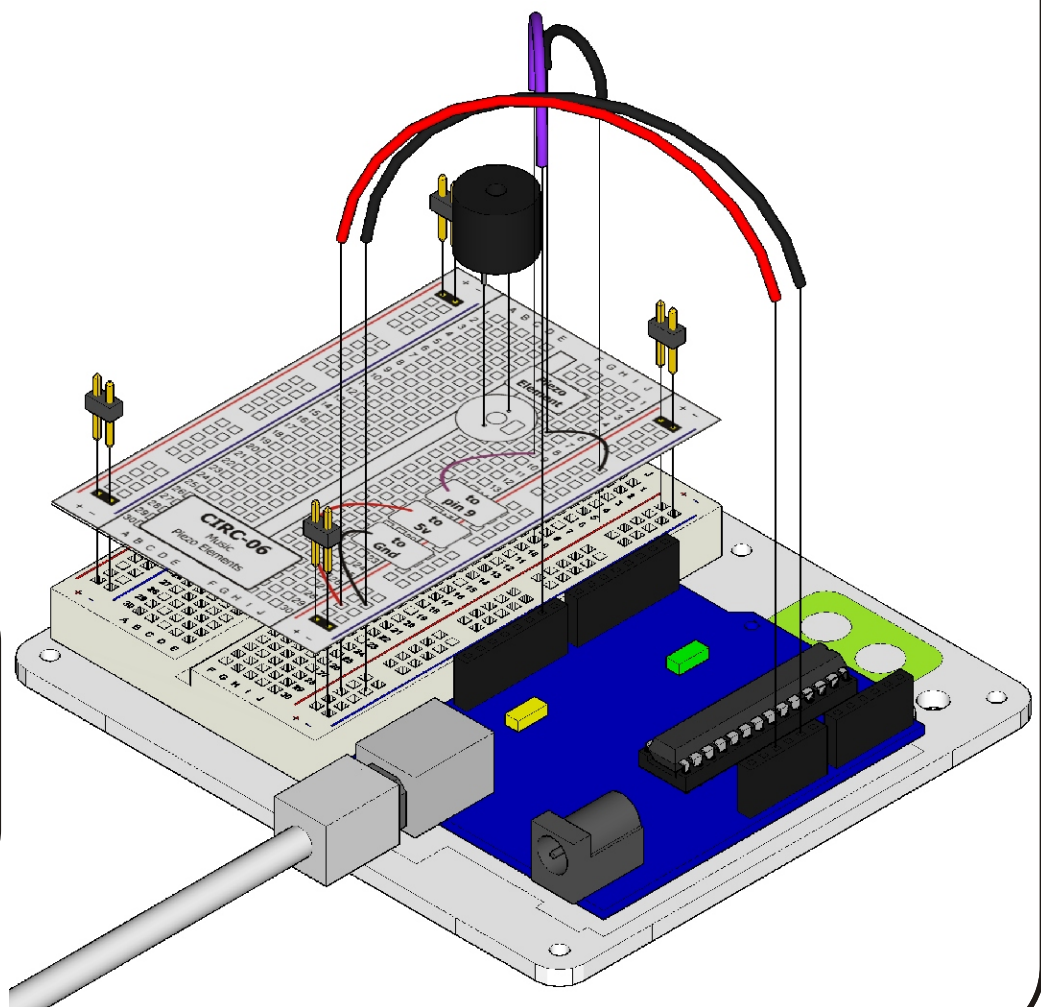
Schematic:



The Internet

.:download:.
printable
breadboard overlay
<http://tinyurl.com/c94aml>

.:view:.
video of the circuit
being assembled
<http://tinyurl.com/mnh33o>



Code (no need to type everything in just)

File > Sketchbook > Examples > Digital > Melody

(example from the great arduino.cc site check it out for other great ideas)

```

/* Melody
 * (Cleft) 2005 D. Cuartielles for K3
 *
 * This example uses a piezo speaker to play melodies. It sends
 * a square wave of the appropriate frequency to the piezo,
 * generating the corresponding tone.
 *
 * The calculation of the tones is made following the
 * mathematical operation:
 *
 *     timeHigh = period / 2 = 1 / (2 * toneFrequency)
 *
 * where the different tones are described as in the table:
 *
 * note  frequency      period  timeHigh
 * c      261 HZ         3830    1915
 * d      294 HZ         3400    1700
 * e      329 HZ         3038    1519
 * f      349 HZ         2864    1432
 * g      392 HZ         2550    1275
 * a      440 HZ         2272    1136
 * b      493 HZ         2028    1014
 * c      523 HZ         1912    956
 *
 * http://www.arduino.cc/en/Tutorial/Melody
 */
int speakerPin = 9;

int length = 15; // the number of notes
char notes[] = "ccggaagffeedc "; // a space represents a rest
int beats[] = { 1, 1, 1, 1, 1, 1, 2, 1, 1, 1, 1, 1, 2, 4 };
int tempo = 300;

void playTone(int tone, int duration) {
  for (long i = 0; i < duration * 1000L; i += tone * 2) {
    digitalWrite(speakerPin, HIGH);
    delayMicroseconds(tone);
    digitalWrite(speakerPin, LOW);
    delayMicroseconds(tone);
  }
}

void playNote(char note, int duration) {
  char names[] = { 'c', 'd', 'e', 'f', 'g', 'a', 'b', 'c' };
  int tones[] = { 1915, 1700, 1519, 1432, 1275, 1136, 1014, 956 };
  // play the tone corresponding to the note name
  for (int i = 0; i < 8; i++) {
    if (names[i] == note) {
      playTone(tones[i], duration);
    }
  }
}

void setup() {
  pinMode(speakerPin, OUTPUT);
}

void loop() {
  for (int i = 0; i < length; i++) {
    if (notes[i] == ' ') {
      delay(beats[i] * tempo); // rest
    } else {
      playNote(notes[i], beats[i] * tempo);
      // pause between notes
      delay(tempo / 2);
    }
  }
}

```

Not Working? (3 things to try)

No Sound

Given the size and shape of the piezo element it is easy to miss the right holes on the breadboard. Try double checking its placement.

Can't Think While the Melody is Playing.

Just pull up the piezo element whilst you think, upload your program then plug it back in.

Tired of Twinkle Twinkle Little Star?

The code is written so you can easily add your own songs, check out the code below to get started.

Making it Better

Playing with the speed:

The timing for each note is calculated based on variables, as such we can tweak the sound of each note or the timing. To change the speed of the melody you need to change only one line.

```
int tempo = 300; ---> int tempo = (new #)
```

Change it to a larger number to slow the melody down, or a smaller number to speed it up.

Tuning the notes:

If you are worried about the notes being a little out of tune this can be fixed as well. The notes have been calculated based on a formula in the comment block at the top of the program. But to tune individual notes just adjust their values in the tones[] array up or down until they sound right. (each note is matched by its name in the names[] (array ie. c = 1915)

```
char names[] = { 'c', 'd', 'e', 'f', 'g', 'a', 'b', 'c' };
int tones[] = { 1915, 1700, 1519, 1432, 1275, 1136, 1014, 956 };
```

Composing your own melodies:

The program is pre-set to play 'Twinkle Twinkle Little Star' however the way it is programmed makes changing the song easy. Each song is defined in one int and two arrays, the int length defines the number of notes, the first array notes[] defines each note, and the second beats[] defines how long each note is played. Some Examples:

Twinkle Twinkle Little Star

```
int length = 15;
char notes[] = "ccggaagffeedc ";
int beats[] = { 1, 1, 1, 1, 1, 1, 2, 1, 1, 1, 1, 1, 2, 4 };
```

Happy Birthday (first line)

```
int length = 13;
char notes[] = "ccdcfeccdcgf ";
int beats[] = {1,1,1,1,1,2,1,1,1,1,1,2,4};
```

More, More, More:

More details, where to buy more parts, where to ask more questions.

<http://tinyurl.com/cpf6so>

::Button Pressing:: ::Pushbuttons::



What We're Doing:

Up to this point we have focused entirely on outputs, time to get our Arduino to listen, watch and feel. We'll start with a simple pushbutton. Wiring up the pushbutton is simple. There is one component, the pull up resistor, that might seem out of place.

This is included because an Arduino doesn't sense the same way we do (ie button pressed, button unpressed). Instead it looks at the voltage on the pin and decides whether it is HIGH or LOW. The button is set up to pull the Arduino's pin LOW when it is pressed, however, when the button is unpressed the voltage of the pin will float (causing occasional errors). To get the Arduino to reliably read the pin as HIGH when the button is unpressed, we add the pull up resistor.

(note: the first example program uses only one of the two buttons)

The Circuit:

Parts:



CIRC-07
Breadboard sheet
x1



2 Pin Header
x4



Pushbutton
x2



Wire



10k Ohm Resistor
Brown-Black-Red
x2

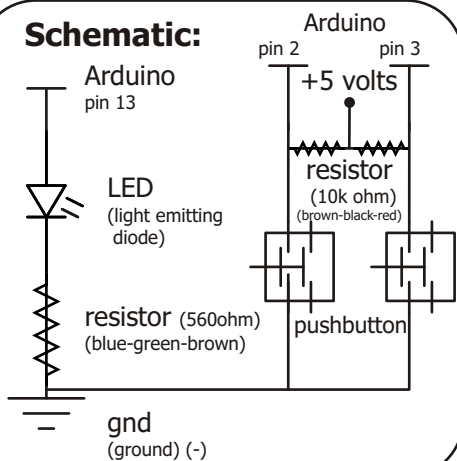


560 Ohm Resistor
Green-Blue-Brown
x1



Red LED
x1

Schematic:



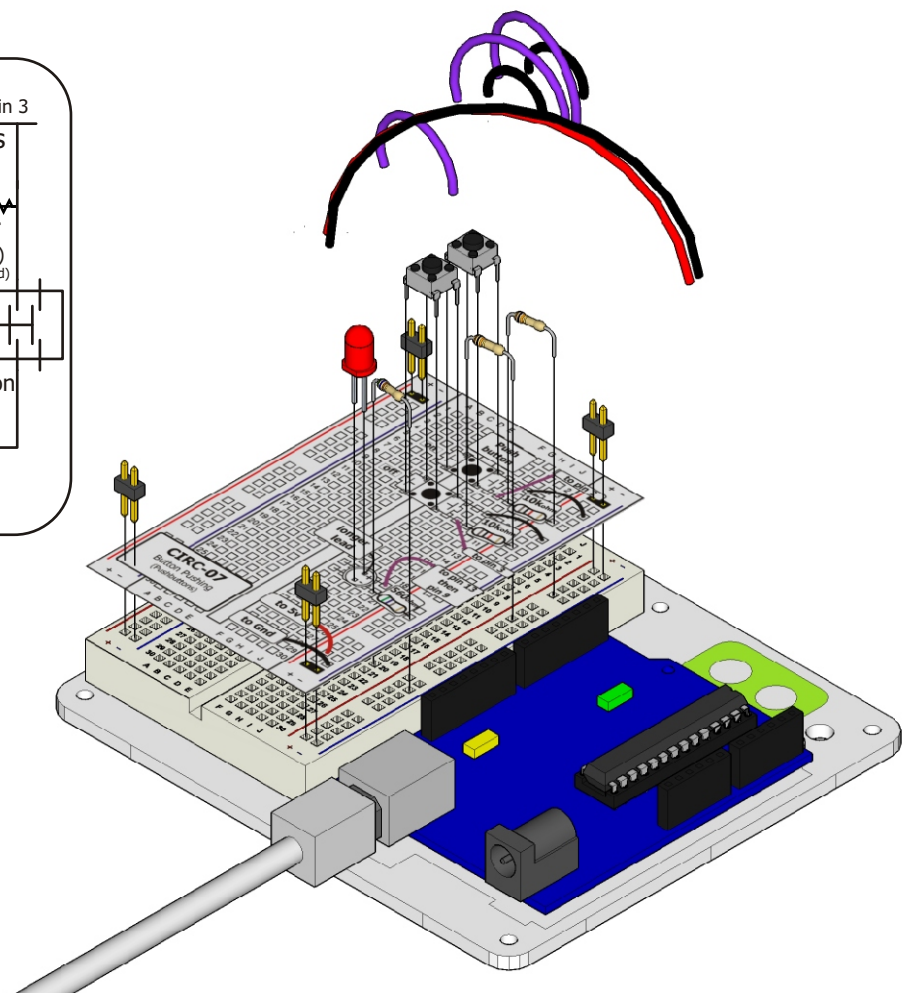
The Internet

::download::

printable
breadboard overlay
<http://tinyurl.com/dzmqh8w>

::view::

video of the circuit
being assembled
<http://tinyurl.com/dnlm6g>



Code

 (no need to type everything in just)

File > Sketchbook > Examples > Digital > Button

(example from the great arduino.cc site check it out for other great ideas)

```

/*
 * Button
 * by DojoDave <http://www.0j0.org>
 *
 * Turns on and off a light emitting diode(LED) connected to digital * pin 13,
when pressing a pushbutton attached to pin 7. *
 * http://www.arduino.cc/en/Tutorial/Button
 */
int ledPin = 13;           // choose the pin for the LED
int inputPin = 2;         // choose the input pin (for a pushbutton)
int val = 0;              // variable for reading the pin status

void setup() {
  pinMode(ledPin, OUTPUT); // declare LED as output
  pinMode(inputPin, INPUT); // declare pushbutton as input
}

void loop(){
  val = digitalRead(inputPin); // read input value
  if (val == HIGH) {           // check if the input is HIGH
    digitalWrite(ledPin, LOW); // turn LED OFF
  } else {
    digitalWrite(ledPin, HIGH); // turn LED ON
  }
}

```

Not Working?

 (3 things to try)

Light Not Turning On

The pushbutton is square and because of this it is easy to put it in the wrong way. Give it a 90 degree twist and see if it starts working.

Light Not Fading

A bit of a silly mistake we constantly made, when you switch from simple on off to fading remember to move the LED wire from pin 13 to pin 9

Underwhelmed?

No worries these circuits are all super stripped down to make playing with the components easy, but once you throw them together the sky is the limit.

Making it Better

On button off button:

The initial example may be a little underwhelming (ie. I don't really need an Arduino to do this), lets make it a little more complicated. One button will turn the LED on the other will turn the LED off. Change the code to.

```

int ledPin = 13;           // choose the pin for the LED
int inputPin1 = 3;         // button 1
int inputPin2 = 2;         // button 2

void setup() {
  pinMode(ledPin, OUTPUT); // declare LED as output
  pinMode(inputPin1, INPUT); // make button 1 an input
  pinMode(inputPin2, INPUT); // make button 2 an input
}

void loop(){
  if (digitalRead(inputPin1) == LOW) {
    digitalWrite(ledPin, LOW); // turn LED OFF
  } else if (digitalRead(inputPin2) == LOW) {
    digitalWrite(ledPin, HIGH); // turn LED ON
  }
}

```

Upload the program to your board, and start toggling the LED on and off.

Fading up and down:

Lets use the buttons to control an analog signal. To do this you will need to change the wire connecting the LED from pin 13 to pin 9, also change this in code.

```
int ledPin = 13; ----> int ledPin = 9;
```

Next change the loop() code to read.

```

int value = 0;
void loop(){
  if (digitalRead(inputPin1) == LOW) { value--; }
  else if (digitalRead(inputPin2) == LOW) { value++; }
  value = constrain(value, 0, 255);
  analogWrite(ledPin, value);
  delay(10);
}

```

Changing Fade Speed:

If you would like the LED to fade faster or slower, there is only one line of code that needs changing;

```
delay(10); ----> delay(new #);
```

To fade faster make the number smaller, slower requires a larger number.

More, More, More:

More details, where to buy more parts, where to ask more questions.

<http://tinyurl.com/c64tmt>

CIRC-08

.:Twisting.: .:Potentiometers.:



What We're Doing:

Along with the digital pins the Arduino has it also has 6 pins which can be used for analog input. These inputs take a voltage (from 0 to 5 volts) and convert it to a digital number between 0 (0 volts) and 1024 (5 volts) (10 bits of resolution). A very useful device that exploits these inputs is a potentiometer (also called a variable resistor). When it is connected with 5 volts across its outer pins the middle pin will read some value between 0 and 5 volts dependent on the angle to which it is turned (ie. 2.5 volts in the middle). We can then use the returned values as a variable in our program.

The Circuit:

Parts:



CIRC-08
Breadboard sheet
x1



2 Pin Header
x4



Potentiometer
10k ohm
x1



Wire

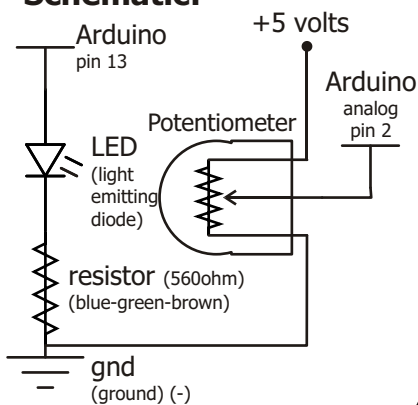


560 Ohm Resistor
Green-Blue-Brown
x1



Green LED
x1

Schematic:



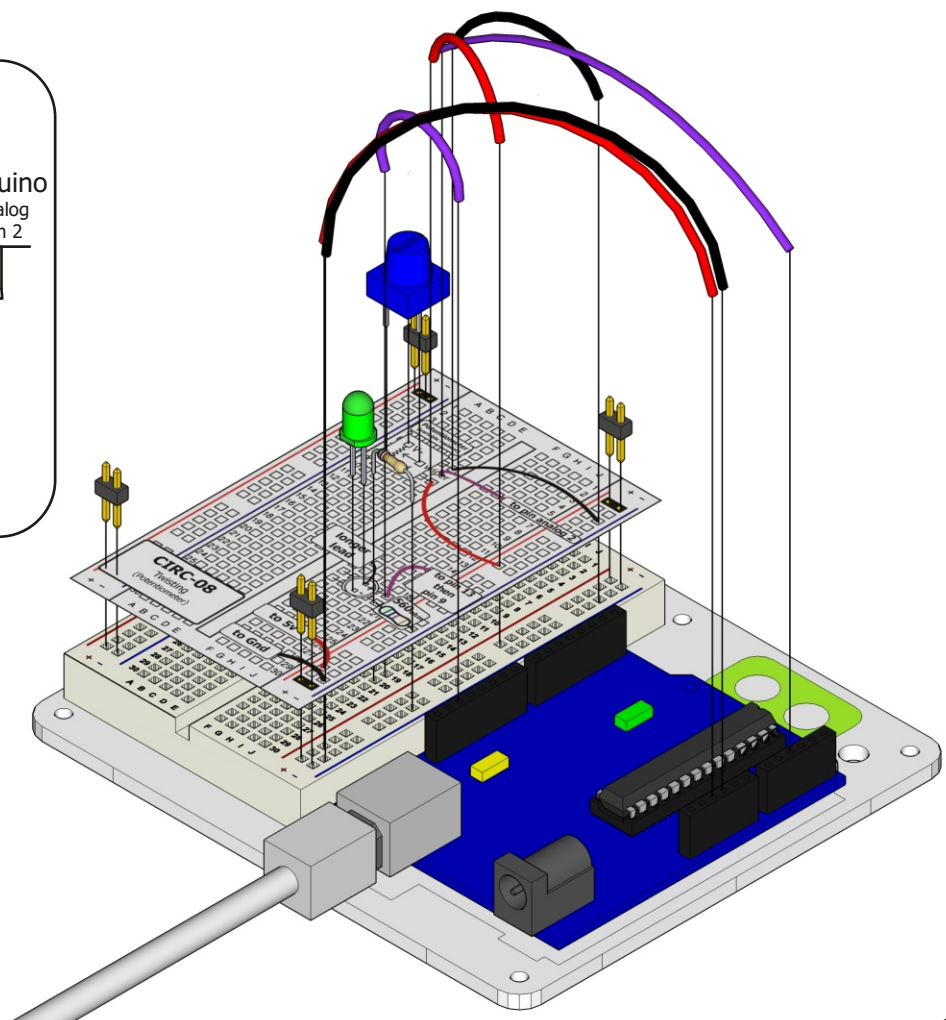
The Internet

.:download.:

printable
breadboard overlay
<http://tinyurl.com/d62o7q>

.:view.:

video of the circuit
being assembled
<http://tinyurl.com/cormru>



Code

 (no need to type everything in just)

File > Sketchbook > Examples > Analog > AnalogInput

(example from the great arduino.cc site check it out for other great ideas)

```

/*
 * AnalogInput
 * by DojoDave <http://www.0j0.org>
 *
 * Turns on and off a light emitting diode(LED) connected to digital * pin 13. The amount of
time the LED will be on and off depends on
 * the value obtained by analogRead(). In the easiest case we connect
 * a potentiometer to analog pin 2.
 *
 * http://www.arduino.cc/en/Tutorial/AnalogInput
 */

int potPin = 2;    // select the input pin for the potentiometer
int ledPin = 13;  // select the pin for the LED
int val = 0;      // variable to store the value coming from the sensor

void setup() {
  pinMode(ledPin, OUTPUT); // declare the ledPin as an OUTPUT
}

void loop() {
  val = analogRead(potPin); // read the value from the sensor
  digitalWrite(ledPin, HIGH); // turn the ledPin on
  delay(val); // stop the program for some time
  digitalWrite(ledPin, LOW); // turn the ledPin off
  delay(val); // stop the program for some time
}

```

Not Working?

 (3 things to try)

Sporadically Working

This is most likely due to a slightly dodgy connection with the potentiometer's pins. This can usually be conquered by taping the potentiometer down.

The Control is Backward

There are two ways to fix this, either switch the red and black wires connected to the potentiometer, or turn the potentiometer around. (sorry sometimes the factory ships us a backwards potentiometer)

Still Backward

You can try operating the circuit upside down. Sometimes this helps.

Making it Better

Threshold Switching:

Sometimes you will want to switch an output when a value exceeds a certain threshold. To do this with a potentiometer change the loop() code to.

```

void loop() {
  int threshold = 512;
  if(analogRead(potPin) > threshold){
    digitalWrite(ledPin, HIGH);}
  else{ digitalWrite(ledPin, LOW);}
}

```

This will cause the LED to turn on when the value is above 512 (about halfway), you can adjust the sensitivity by changing the threshold value.

Fading:

Lets control the brightness of an LED directly from the potentiometer. To do this we need to first change the pin the LED is connected to. Move the wire from pin 13 to pin 9 and change one line in the code.

```
int ledPin = 13; ----> int ledPin = 9;
```

Then change the loop code to.

```

void loop() {
  int value = analogRead(potPin) / 4;
  analogWrite(ledPin, value);
}

```

Upload the code and watch as your LED fades in relation to your potentiometer spinning. (Note: the reason we divide the value by 4 is the analogRead() function returns a value from 0 to 1024 (10 bits), and analogWrite() takes a value from 0 to 255 (8 bits))

Controlling a Servo:

This is a really neat example and brings a couple of circuits together. Wire up the servo like you did in CIRC-04, then open the example program Knob (**File > Sketchbook > Examples > Library-Servo > Knob**), then change one line of code.

```
int potpin = 0; ----> int potpin = 2;
```

 Upload to your Arduino and then watch as the servo shaft turns as you turn the potentiometer.

More, More, More:

More details, where to buy more parts, where to ask more questions.

<http://tinyurl.com/cva3kq>

CIRC-09

::Light: ::Photo Resistors::



What We're Doing:

Whilst getting input from a potentiometer can be useful for human controlled experiments, what do we use when we want an environmentally controlled experiment?

We use exactly the same principles but instead of a potentiometer (twist based resistance) we use a photo resistor (light based resistance). The Arduino cannot directly sense resistance (it senses voltage) so we set up a voltage divider (<http://tinyurl.com/2sunta>). The exact voltage at the sensing pin is calculable, but for our purposes (just sensing relative light) we can experiment with the values and see what works for us. A low value will occur when the sensor is well lit while a high value will occur when it is in darkness.

The Circuit:

Parts:



CIRC-10
Breadboard sheet
x1



2 Pin Header
x4



Photo-Resistor
x1



Wire



10k Ohm Resistor
Brown-Black-Red
x1

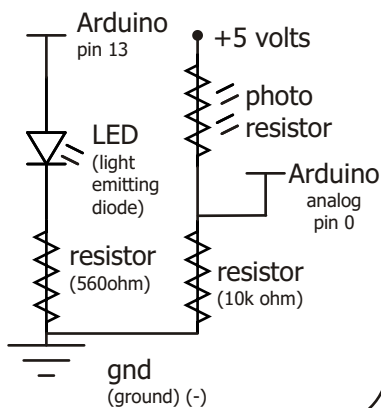


560 Ohm Resistor
Green-Blue-Brown
x1



Green LED
x1

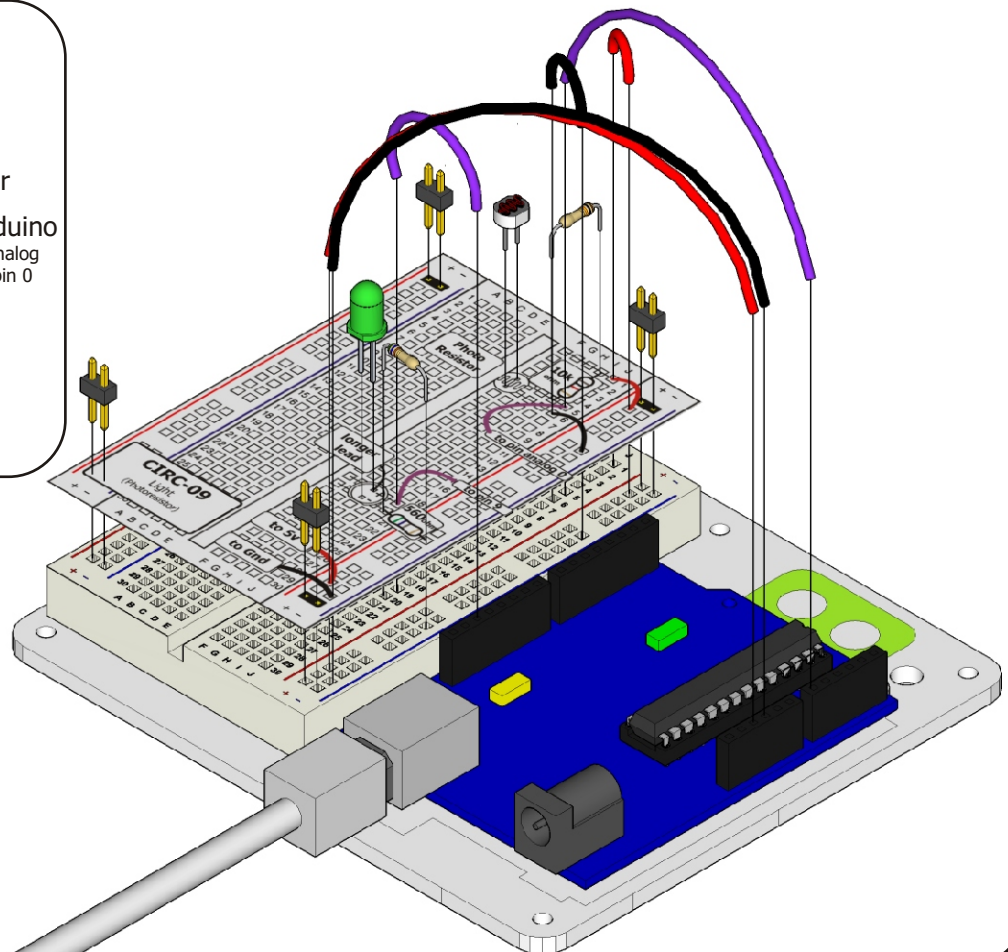
Schematic:



The Internet

::download::
printable
breadboard overlay
<http://tinyurl.com/cmzfd>

::view::
video of the circuit
being assembled
<http://tinyurl.com/cdlld6>



Code

 (no need to type everything in just)

Download the Code from (<http://tinyurl.com/crdum6>)

(copy the text and paste it into an empty Arduino Sketch)

```

/*
 * A simple programme that will change the
 * intensity of an LED based on the amount of
 * light incident on the photo resistor.
 */

//PhotoResistor Pin
int lightPin = 0; //the analog pin the
                 //photoresistor is
                 //connected to
                 //the photoresistor is not
                 //calibrated to any units so
                 //this is simply a raw sensor
                 value (relative light)
//LED Pin
int ledPin = 9; //the pin the LED is connected to
               //we are controlling brightness so
               //we use one of the PWM (pulse
               //width modulation pins)

void setup()
{
  pinMode(ledPin, OUTPUT); //sets the led pin to
                           //output
}

}
/*
 * loop() - this function will start after setup
 * finishes and then repeat
 */
void loop()
{
  int lightLevel = analogRead(lightPin); //Read the
                                         // lightlevel
  lightLevel = map(lightLevel, 0, 900, 0, 255);
              //adjust the value 0 to 900 to
  lightLevel = constrain(lightLevel, 0, 255);
              //make sure the value is between 0 and 255
  analogWrite(ledPin, lightLevel); //write the value
}

```

Not Working?

 (3 things to try)

LED is Remaining Dark

This is a mistake we continue to make time and time again, if only they could make an LED that worked both ways. Pull it up and give it a twist.

It Isn't Responding to Changes in Light.

Given that the spacing of the wires on the photo-resistor is not standard, it is easy to misplace it. Double check its in the right place

Frustration?

Shoot us an e-mail, this circuit is both simple and complex at the same time. We want to hear about problems you have so we can address them in future editions.
help@oomlout.com

Making it Better

Reverse the response:

Perhaps you would like the opposite response. Don't worry we can easily reverse this response just change.

```

  analogWrite(ledPin, lightLevel); ---->
  analogWrite(ledPin, 255 - lightLevel);

```

Upload and watch the response change.

Night light:

Rather than controlling the brightness of the LED in response to light, lets instead turn it on or off based on a threshold value. Change the loop() code with.

```

void loop(){
  int threshold = 300;
  if(analogRead(lightPin) > threshold){
    digitalWrite(ledPin, HIGH);
  }else{
    digitalWrite(ledPin, LOW);
  }
}

```

Light controlled servo:

Lets use our newly found light sensing skills to control a servo (and at the same time engage in a little bit of Arduino code hacking). Wire up a servo connected to pin 9 (like in CIRC-04). Then open the Knob example program (the same one we used in CIRC-08) **File > Sketchbook > Examples > Library-Servo > Knob**. Upload the code to your board and watch as it works unmodified.

Using the full range of your servo:

You'll notice that the servo will only operate over a limited portion of its range. This is because with the voltage dividing circuit we use the voltage on analog pin 0 will not range from 0 to 5 volts but instead between two lesser values (these values will change based on your setup). To fix this play with the `val = map(val, 0, 1023, 0, 179);` line. For hints on what to do visit <http://arduino.cc/en/Reference/Map>.

More, More, More:

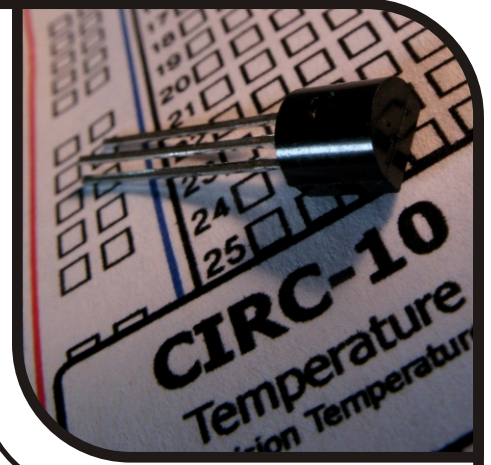
More details, where to buy more parts, where to ask more questions.

<http://tinyurl.com/cpa83c>

CIRC-10

Temperature

Temperature Sensor

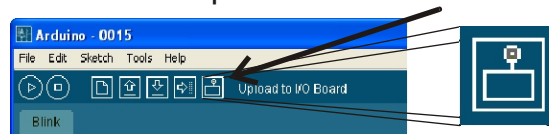


What We're Doing:

What's the next phenomena we will measure with our Arduino? Temperature. To do this we'll use a rather complicated IC (integrated circuit) hidden in a package identical to our 2N222A transistors. It has three pins ground, signal and +5 volts, and is easy to use. It outputs 10 millivolts per degree centigrade on the signal pin (to allow measuring temperatures below freezing there is a 500 mV offset eg. 25° C = 750 mV, 0° C = 500mV). To convert this from the digital value to degrees we will use some of the Arduino's maths abilities. Then to display it we'll use one of the IDE's rather powerful features, the debug window. We'll output the value over a serial connection to display on the screen. Let's get to it.

One extra note, this circuit uses the Arduino IDE's serial monitor. To open this, first upload the program then click the button which looks like a square with an antennae.

The TMP36 Datasheet:
<http://tinyurl.com/plbx38>



The Circuit:

Parts:



CIRC-10
Breadboard sheet
x1



2 Pin Header
x4

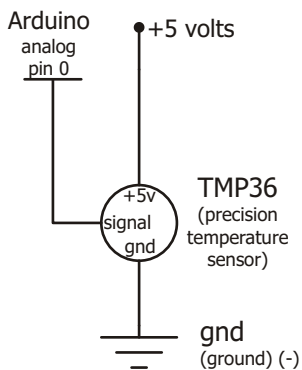


TMP36
Temperature Sensor
x1



Wire

Schematic:



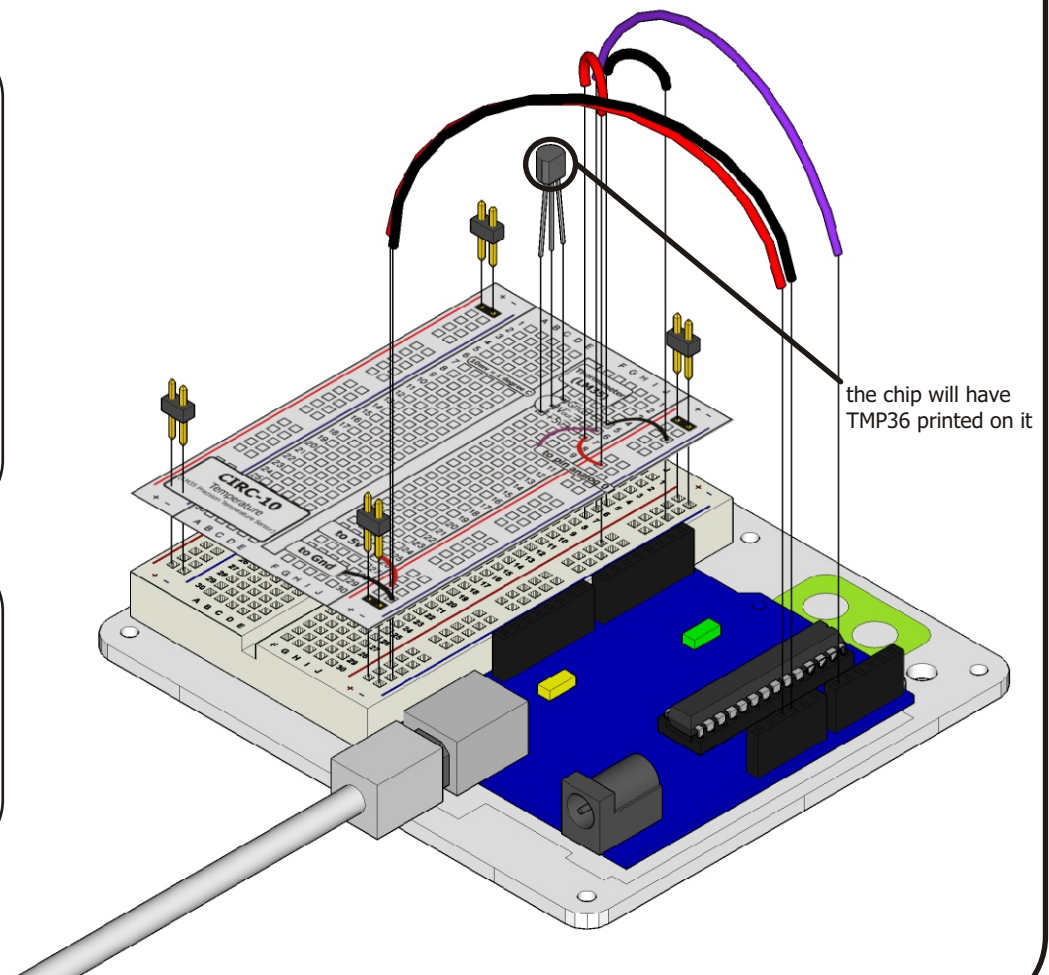
The Internet

download:

printable
breadboard overlay
<http://tinyurl.com/ctdjod>

view:

video of the circuit
being assembled
<http://tinyurl.com/d85jyx>



Code

 (no need to type everything in just)

Download the Code from (<http://tinyurl.com/dfj8rs>)

(copy the text and paste it into an empty Arduino Sketch)

```

/*-----
 * | Arduino Experimentation Kit Example Code |
 * | CIRC-10 .: Temperature :. |
 *-----
 *
 * A simple program to output the current temperature
 * to the IDE's debug window
 * For more details on this circuit:
 * http://tinyurl.com/c89tvd */

//TMP36 Pin Variables
int temperaturePin = 0; //the analog pin the TMP36's
                        //Vout pin is connected to
                        //the resolution is
                        //10 mV / degree centigrade
                        //(500 mV offset) to make
                        //negative temperatures an option

void setup()
{
  Serial.begin(9600); //Start the serial connection
                    //with the computer
                    //to view the result open the
                    //serial monitor
                    //last button beneath the file
                    //bar (looks like a box with an
                    //antennae)
}

void loop() // run over and over
again
{
  float temperature =
  getVoltage(temperaturePin);
  //getting the voltage reading from the
  //temperature sensor

  temperature = (temperature - .5) * 100; //converting from 10 mv
  //per degree wit 500 mv offset to
  //degrees ((voltage - 500mV) times 100)
  Serial.println(temperature); //printing the result
  delay(1000); //waiting a second
}

/*
 * getVoltage() - returns the voltage on the analog input
 * defined by pin
 */
float getVoltage(int pin){
  return (analogRead(pin) * .004882814); //converting from a 0
  //to 1024 digital range
  // to 0 to 5 volts
  //(each 1 reading equals ~ 5 millivolts)
}

```

Not Working?

 (3 things to try)

Nothing Seems to Happen

This program has no outward indication it is working. To see the results you must open the Arduino IDE's serial monitor. (instructions on previous page)

Gibberish is Displayed

This happens because the serial monitor is receiving data at a different speed than expected. To fix this, click the pull-down box that reads "**** baud" and change it to "9600 baud".

Temperature Value is Unchanging/Wrong

This will happen if the LM35 is plugged in backwards. Look carefully at the layout sheet.

Making it Better

Outputting voltage:

This is a simple matter of changing one line. Our sensor outputs 10mv per degree centigrade so to get voltage we simply display the result of getVoltage().

```
delete the line temperature = (temperature - .5) * 100;
```

Outputting degrees Fahrenheit:

Again this is a simple change requiring only math. to go degrees C ----> degrees F we use the formula.

$$(F = C * 1.8) + 32)$$

add the line

```
temperature =
(((temperature - .5) * 100)*1.8) + 32;
before Serial.println(temperature);
```

More informative output:

Lets add a message to the serial output to make what is appearing in the Serial Monitor more informative. To do

this first revert to the original code then change:

```
Serial.println(temperature);
```

---->

```
Serial.print(temperature);
Serial.println(" degrees centigrade");
```

The change to the first line means when we next output it will appear on the same line, then we add the informative text and a new line.

Changing the serial speed:

If you ever wish to output a lot of data over the serial line time is of the essence. We are currently transmitting at 9600 baud but much faster speeds are possible. To change this change the line:

```
Serial.begin(9600); ----> Serial.begin(115200);
```

Upload the sketch turn on the serial monitor, then change the speed from 9600 baud to 115200 baud in the pull down menu. You are now transmitting data 12 times faster.

More, More, More:

More details, where to buy more parts, where to ask more questions.

<http://tinyurl.com/c89tvd>

CIRC-11

.:Larger Loads:. .:Relays:.


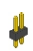

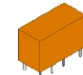







What We're Doing:

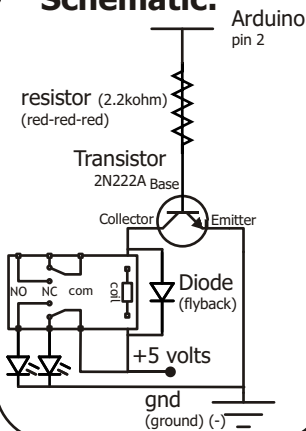
The final circuit is a bit of a test. We combine what we learned about using transistors in CIRC03 to control a relay. A relay is an electrically controlled mechanical switch. Inside the little plastic box is an electromagnet that, when energized, causes a switch to trip (often with a very satisfying clicking sound). You can buy relays that vary in size from a quarter of the size of the one in this kit up to as big as a fridge, each capable of switching a certain amount of current. They are immensely fun because there is an element of the physical to them. While all the silicon we've played with to this point is fun sometimes you just want to wire up a hundred switches to control something magnificent. Relays give you the ability to dream it up then control it with your Arduino. Now to using today's technology to control the past. (The 1N4001 diode is acting as a flyback diode for details on why it's there visit: <http://tinyurl.com/b559mx>)

The Circuit:

Parts:

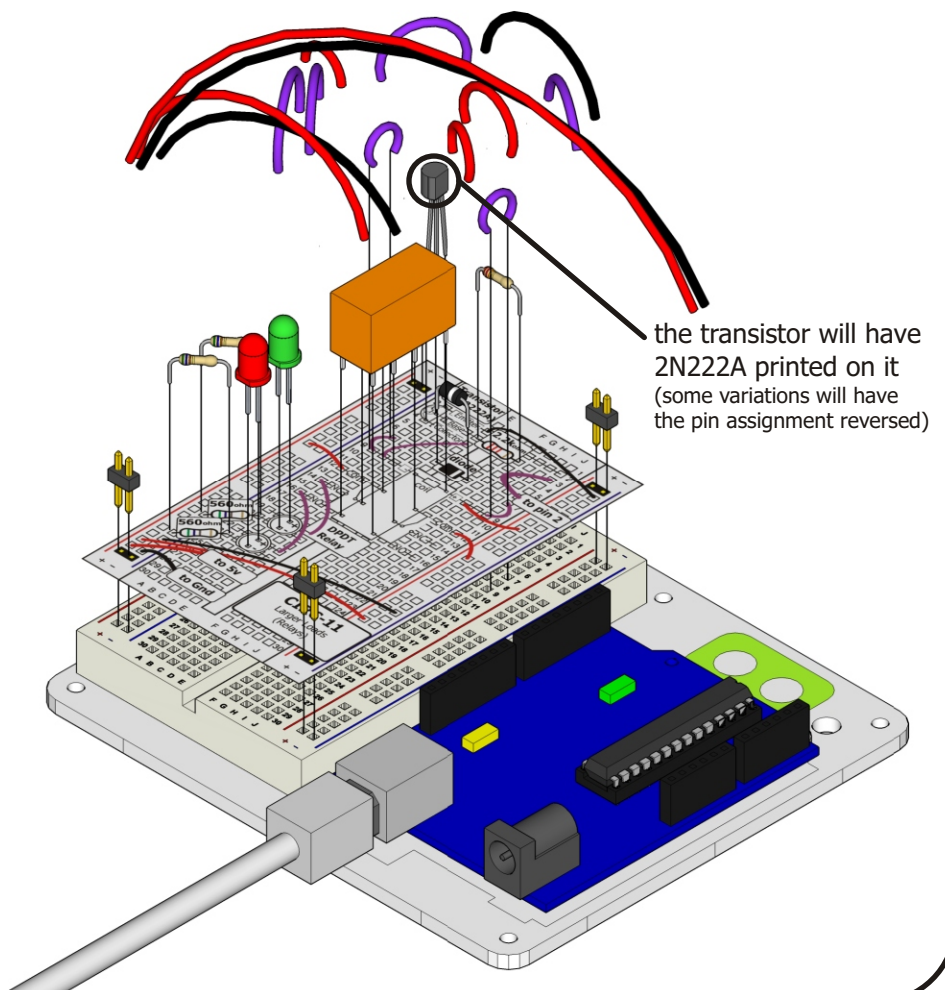
- | | | | |
|--|--|---|---|
|  CIRC-11 Breadboard sheet
x1 |  2 Pin Header
x4 |  Transistor 2N222A (TO92)
x1 |  Relay (DPDT)
x1 |
|  2.2k Ohm Resistor Red-Red-Red
x1 |  560 Ohm Resistor Green-Blue-Brown
x1 |  Green LED
x1 |  Red LED
x1 |
|  Diode (1N4001)
x1 | | | |

Schematic:



The Internet

- ..download:..
printable
breadboard overlay
<http://tinyurl.com/cxpvqg>
- ..view:..
video of the circuit
being assembled
<http://tinyurl.com/chf7rx>



Code (no need to type everything in just)**File > Sketchbook > Examples > Digital > Blink**

(example from the great arduino.cc site check it out for other great ideas)

```

/*
 * Blink
 *
 * The basic Arduino example. Turns on an LED on for one second,
 * then off for one second, and so on... We use pin 13 because,
 * depending on your Arduino board, it has either a built-in LED
 * or a built-in resistor so that you need only an LED.
 *
 * http://www.arduino.cc/en/Tutorial/Blink
 */

int ledPin = 2;           // ***** CHANGE TO PIN 2 *****

void setup()              // run once, when the sketch starts
{
  pinMode(ledPin, OUTPUT); // sets the digital pin as output
}

void loop()               // run over and over again
{
  digitalWrite(ledPin, HIGH); // sets the LED on
  delay(1000);                // waits for a second
  digitalWrite(ledPin, LOW);  // sets the LED off
  delay(1000);                // waits for a second
}

```

Not Working? (3 things to try)**Nothing Happens**

The example code uses pin 13 and we have the relay connected to pin 2. Make sure you made this change in the code.

No Clicking Sound

The transistor or coil portion of the circuit isn't quite working. Check the transistor is plugged in the right way.

Not Quite Working

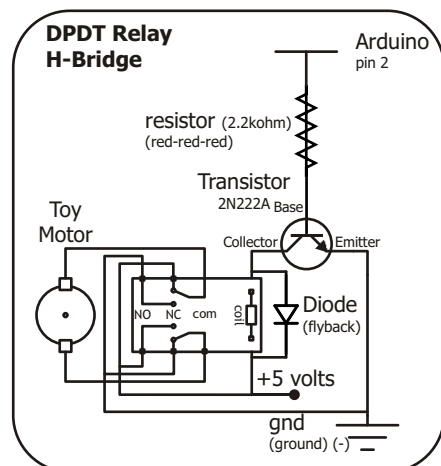
The included relays are designed to be soldered rather than used in a breadboard. As such you may need to press it in to ensure it works. (and it may pop out occasionally)

Making it Better**Controlling a Motor**

In CIRC-03 we controlled a motor using a transistor. However if you want to control a larger motor a relay is a good option. To do this simply remove the red LED, and connect the motor in its place (remember to bypass the 560 Ohm resistor)

Controlling Motor Direction

A bit of a complicated improvement to finish. To control the direction of spin of a DC motor we must be able to reverse the direction of current flow through it. To do this manually we reverse the leads. To do it electrically we require something called an h-bridge. It can be constructed using either four transistors (2 PNP and 2 NPN) or using one DPDT relay. To control the motor's direction, wire up the following circuit



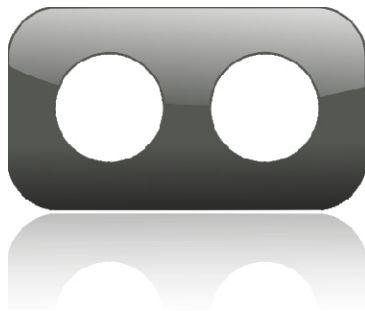
It looks complicated but can be accomplished using only a few extra wires. Give it a try.

More, More, More:

More details, where to buy more parts, where to ask more questions.

<http://tinyurl.com/cfagqn>

www.oomlout.com



This work is licenced under the Creative Commons Attribution-Share Alike 3.0 Unported License. To view a copy of this licence, visit <http://creativecommons.org/licenses/by-sa/3.0/> or send a letter to Creative Commons, 171 Second Street, Suite 300, San Francisco, California 94105, USA.