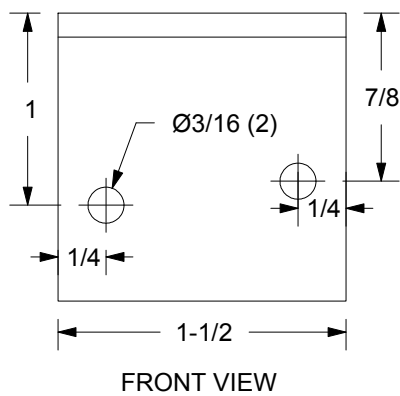
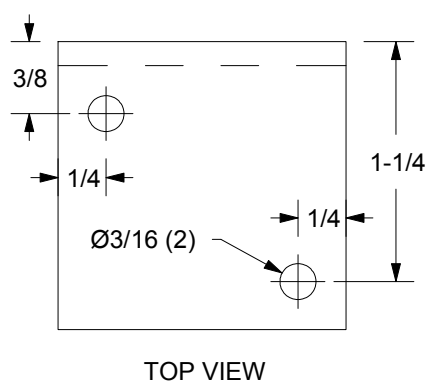
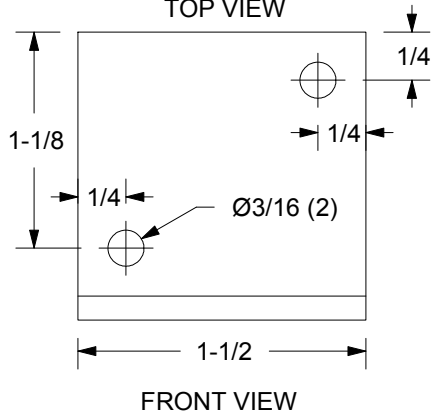
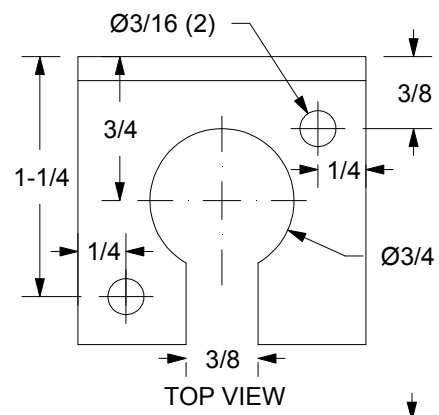


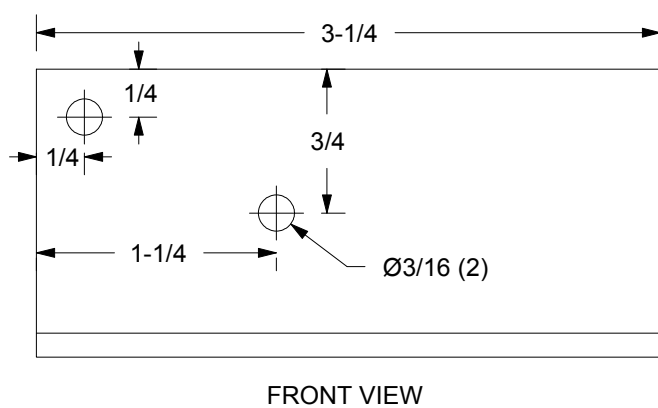
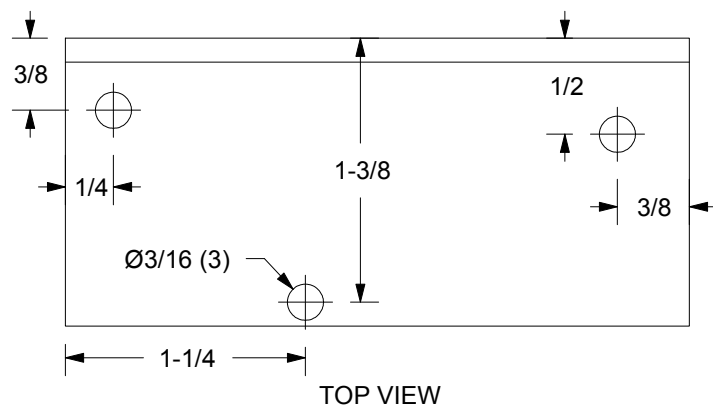
STEPPER MOTOR BRACKET



TOP SPINDLE BRACKET



SPINDLE MOTOR BRACKET



BOTTOM SPINDLE BRACKET

NOTES:
MATERIAL 1 1/2 X 1 1/2 X 1/8 ALUMINUM ANGLE

PART NAME:		ALUMINUM BRACKETS	
DRAWN BY:	NC	NO. REQ:	1
DATE:	24/4/2012	UNITS:	INCHES
SCALE:	1" = 1"	SHT:	1 OF 1
SIZE:	TABLOID	REV:	0