

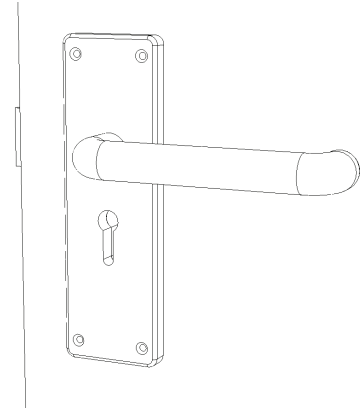
# PrintCity

3D · Innovate · Educate · Collaborate

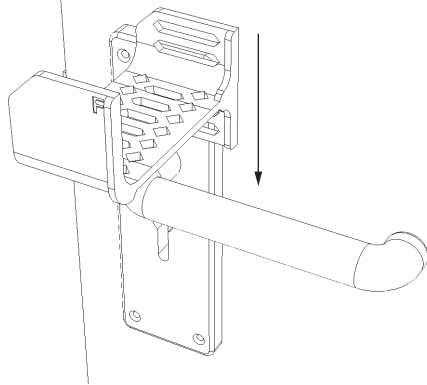
## Armie

### Door with Large Backplate Installation Instructions

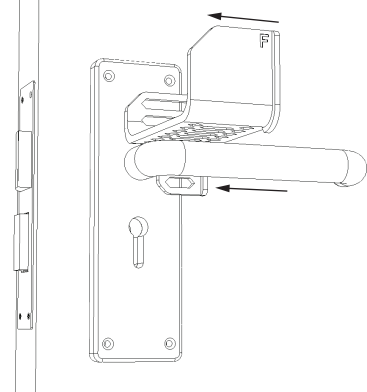
1. Secure the door in place.



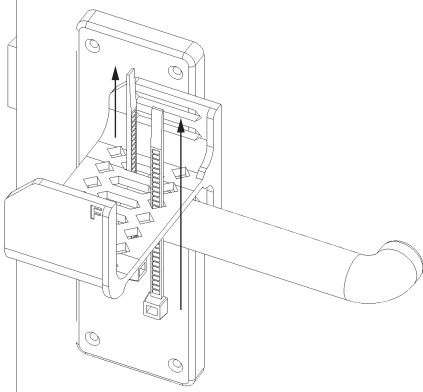
2. Push Armie 90 Degrees against the door handle backplate.



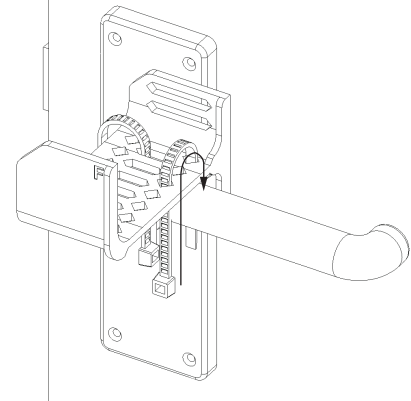
3. Place Armie on top of the handle. Push Armie against the handle arm.



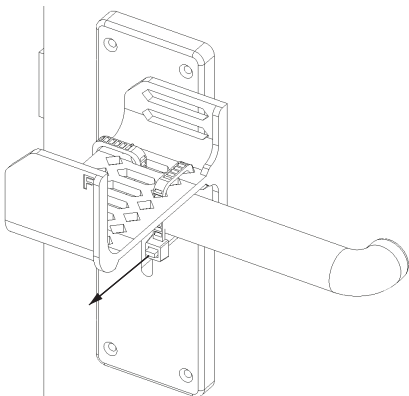
4. Thread cable ties through the holes aligned with the handle.



5. Loop the cable ties over Armie and the door handle.



6. Tighten the cable ties around the handle and cut excess ends. Add additional ties to ensure Armie is secure.



7. Use your arm to open the door using Armie.

