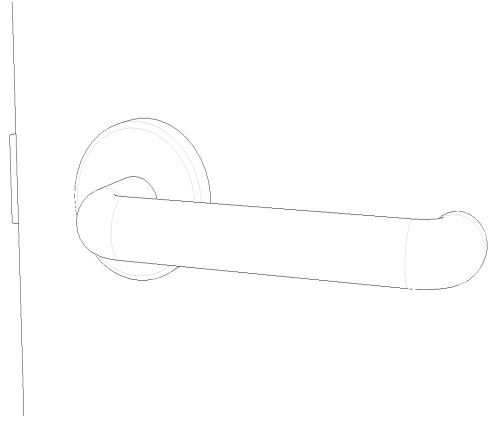


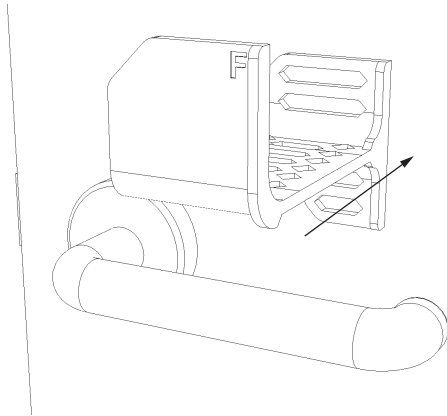
Armie

Door with Small Backplate Installation Instructions

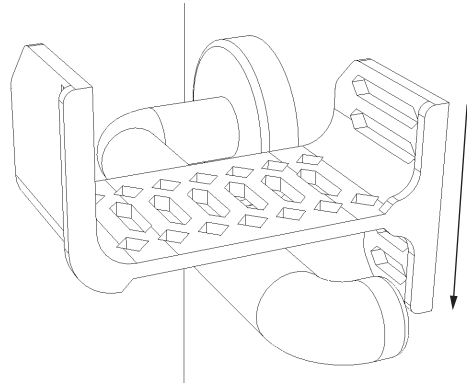
1. Secure the door in place.



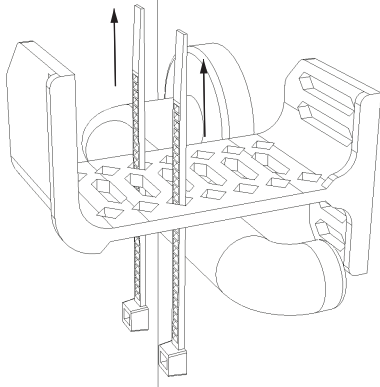
2. Push Armie 90 Degrees against the door.



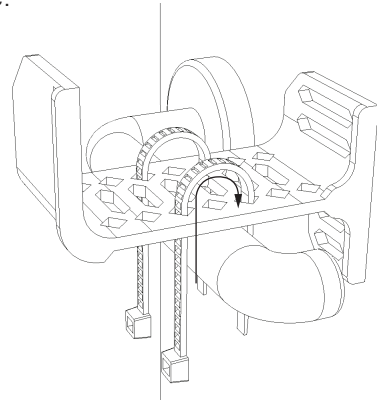
3. Place Armie on the top of the handle towards the middle.



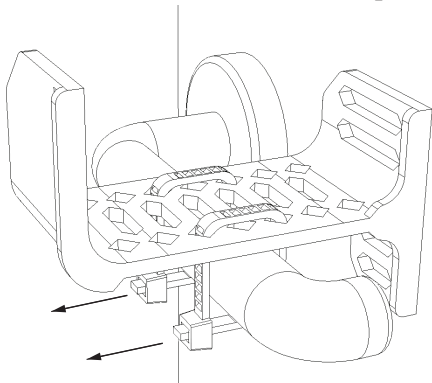
4. Thread cable ties through the holes aligned with the handle.



5. Loop the cable ties over Armie and the door handle.



6. Tighten the cable ties around the handle, cut any excess cable tie that isn't required.



7. Use your arm to open the door using Armie.

