

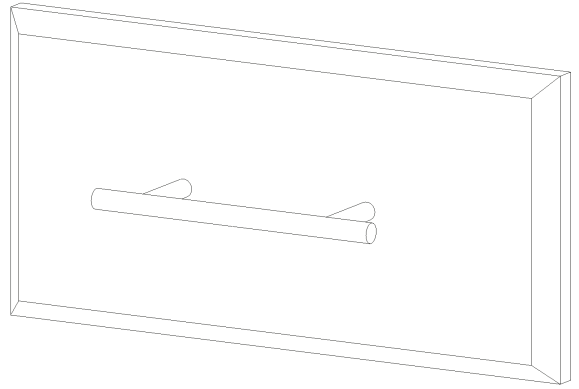
PrintCity

3D · Innovate · Educate · Collaborate

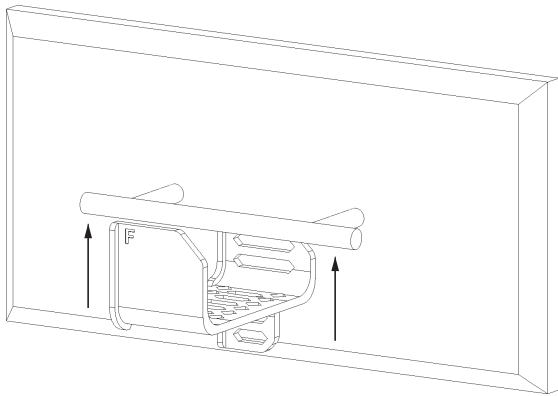
Armie

Drawer Handle Installation Instructions

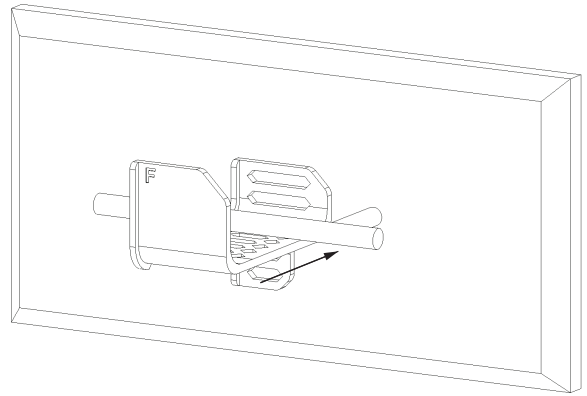
1. Secure the drawer in place.



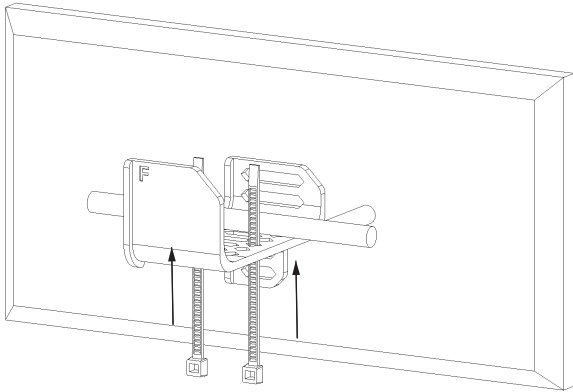
2. Place Armie under the handle.



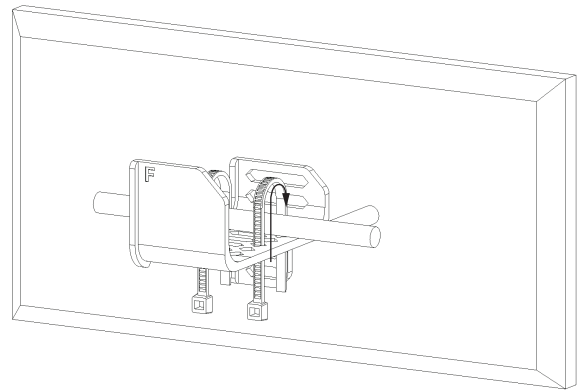
3. Push Armie 90 degrees against the Drawer.



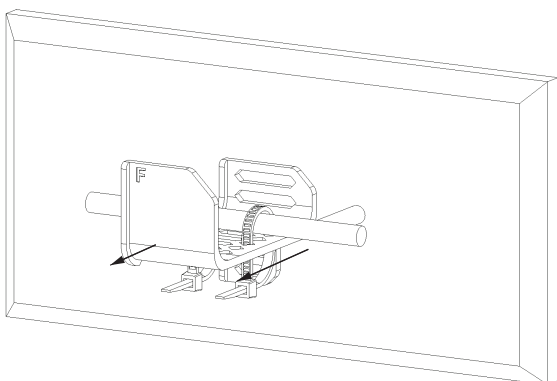
4. Thread cable ties through the holes which align with the handle.



5. Loop the cable ties over the drawer handle.



6. Tighten the cable ties around the handle till secured.



7. Use your arm to open the drawer using Armie.

