

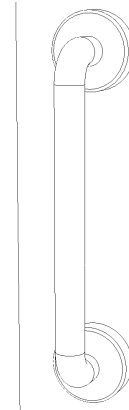
PrintCity

3D · Innovate · Educate · Collaborate

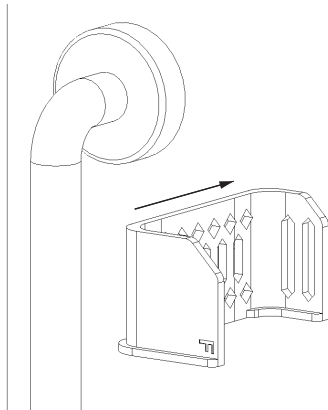
Armie

Pull Door Installation Instructions

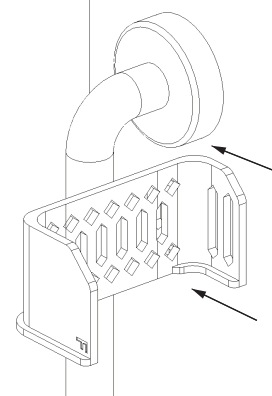
1. Secure the door in place.



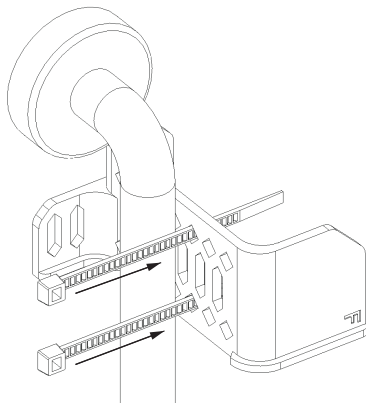
2. Push Armie against the door at 90 degrees.



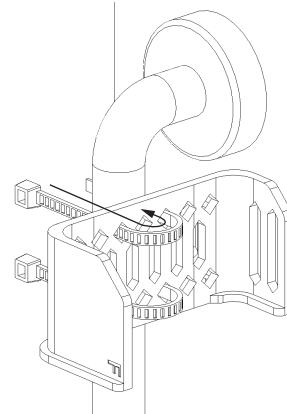
3. Place Armie against the pull handle towards the top.



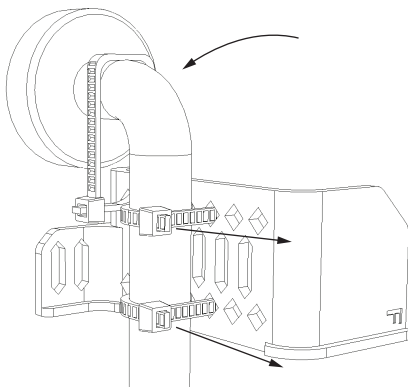
4. Thread cable ties through the holes aligned to the handle.



5. Loop the cable ties over the pull handle and Armie.



6. Tighten the cable ties around the handle. Add an additional tie around the top of the handle to prevent Armie sliding.



7. Use your arm to open the drawer using Armie.

