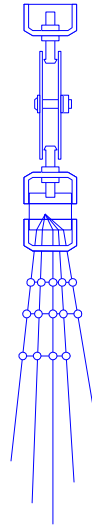
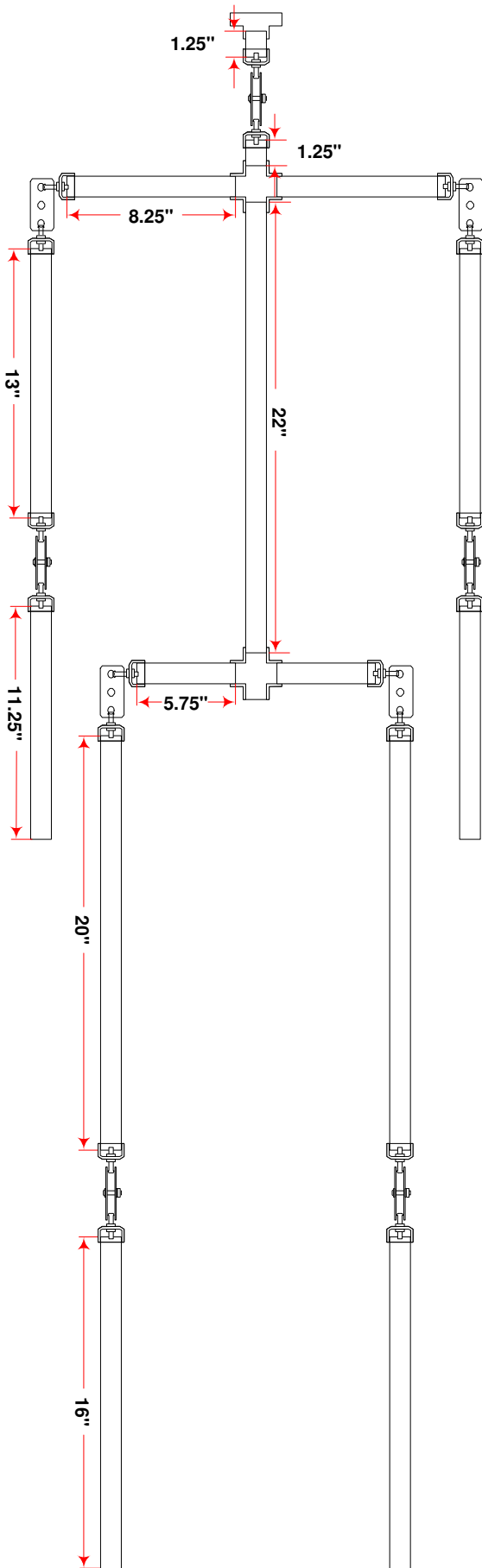


1	2	3	4	5	6	7	8	9	10	11	12
---	---	---	---	---	---	---	---	---	----	----	----



1
2
3
4
5
6
7
8
9
10
11
12
13
14
15
16
17
18
19
20
21
22
23
24

H1: Preliminary ZMT 041208	Splatter f/X, Inc. Houston, TX SFXHouston@gmail.com	
H2: Cost Modification ZMT 042008		
ARTICULATED MONSTER FRAME		Sheet 1 of 1
Original Design: Mike Taylor	Scale: NTS	REV:B
ENG/Drawn: M. Taylor	Drawing#: 10001B.AMF	
Checked: D. Taylor		