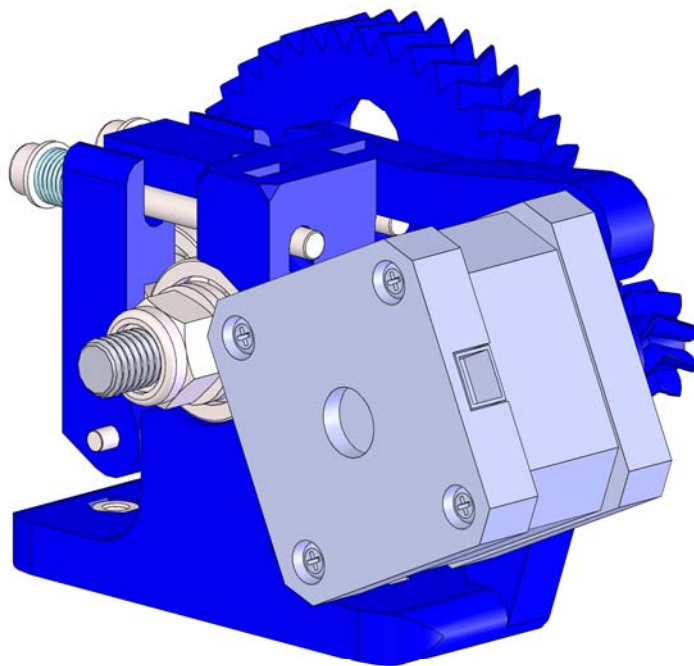


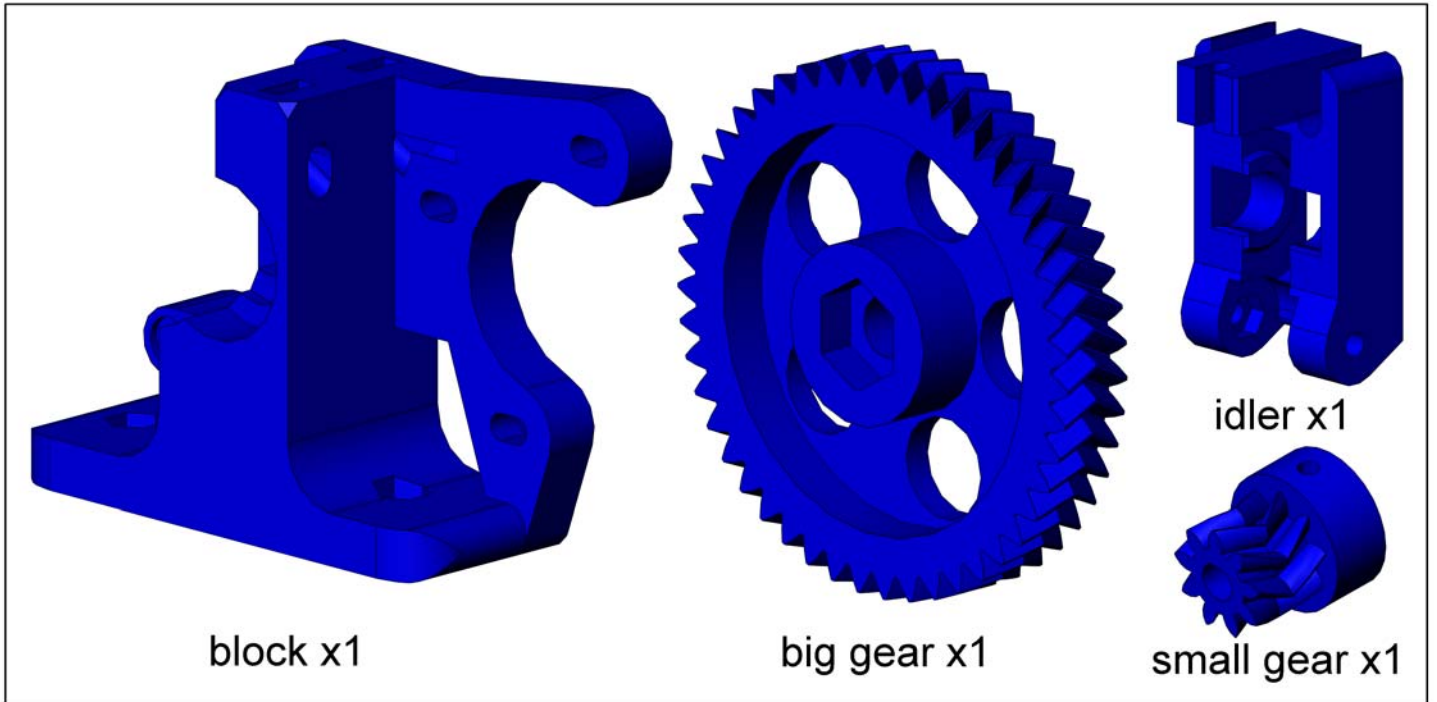
Get ColdEnd 1

Wade's Geared Extruder

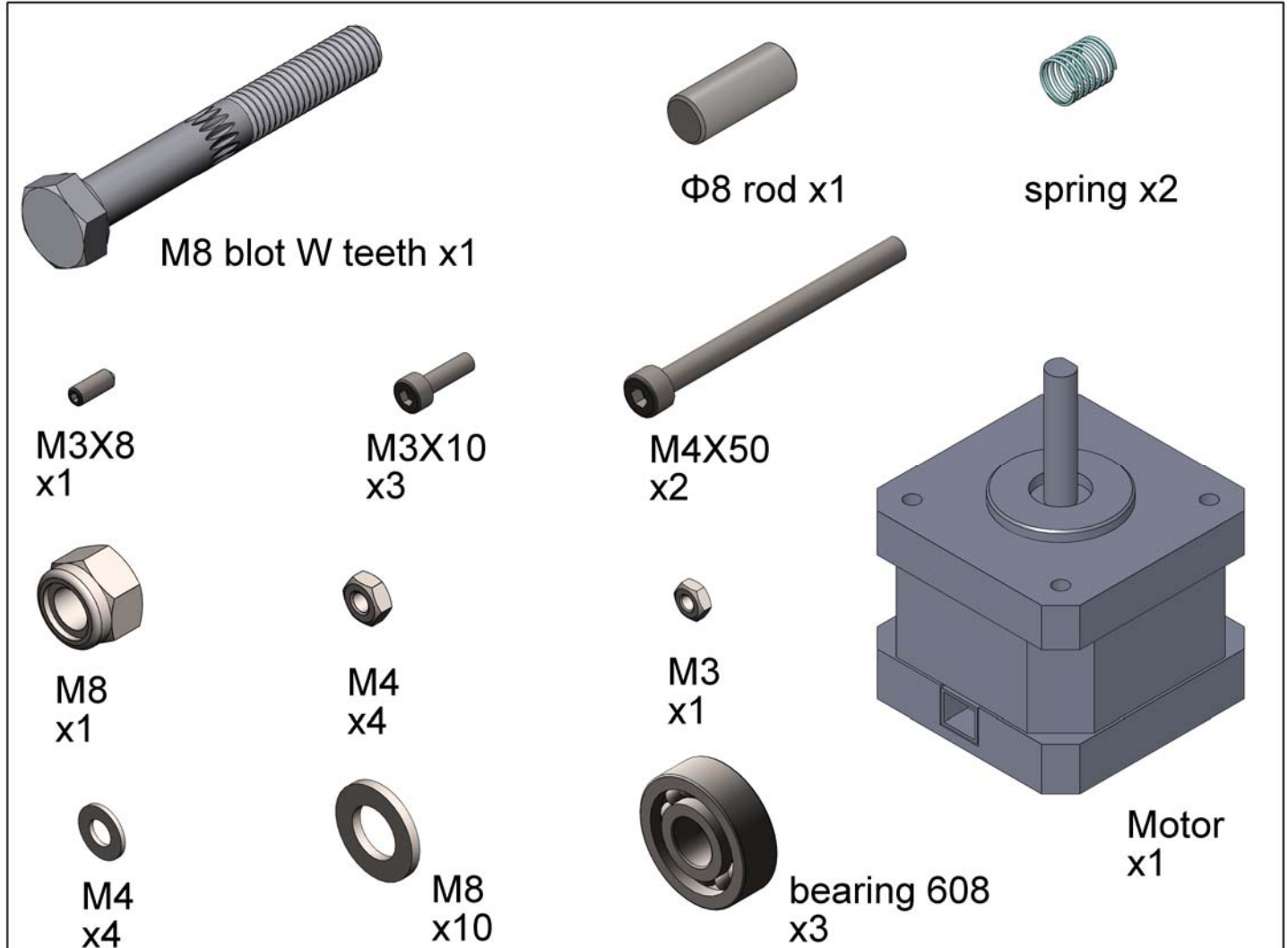


bill of material

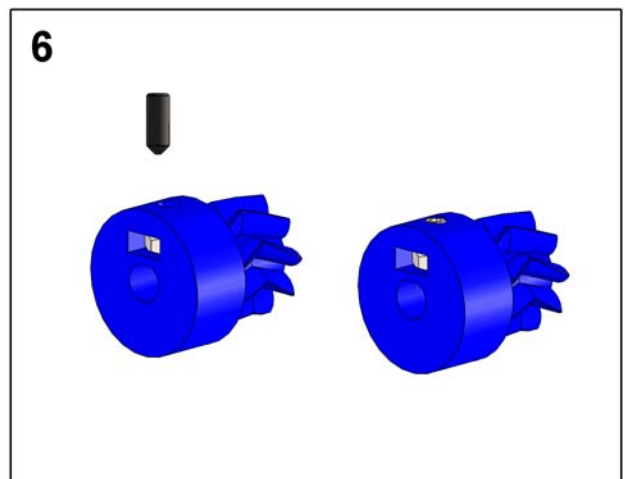
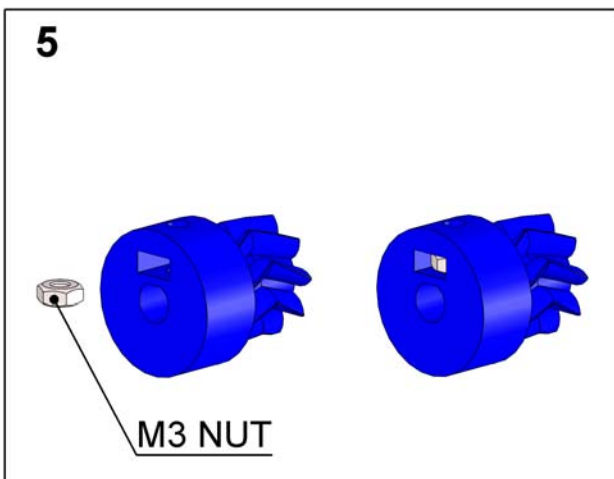
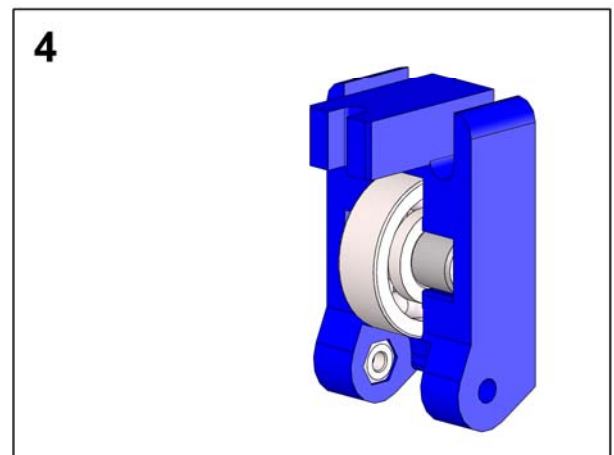
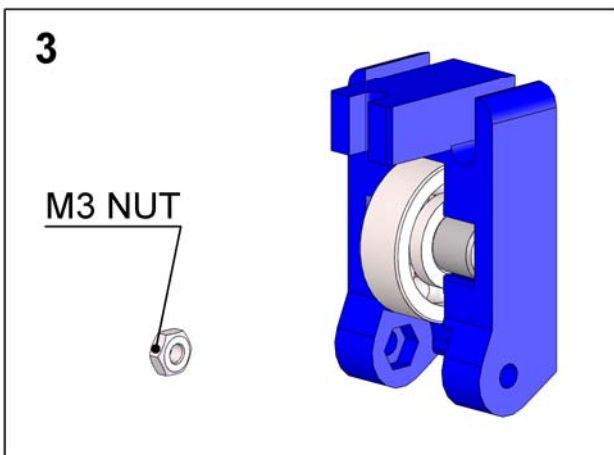
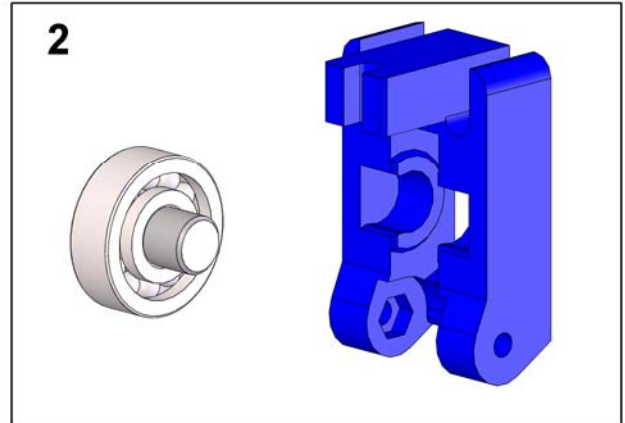
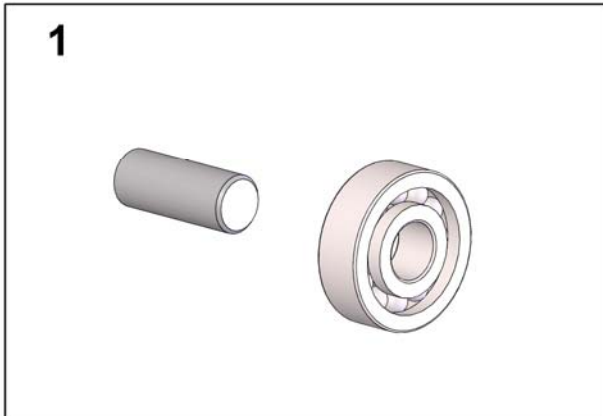
print parts



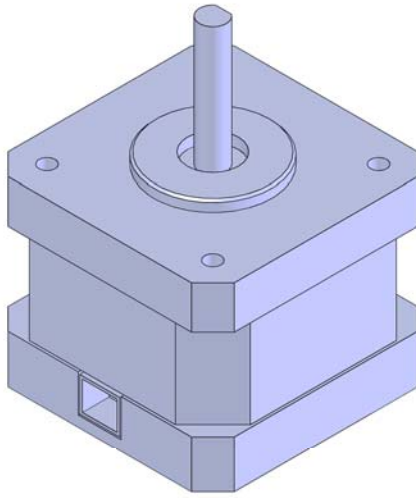
non print parts



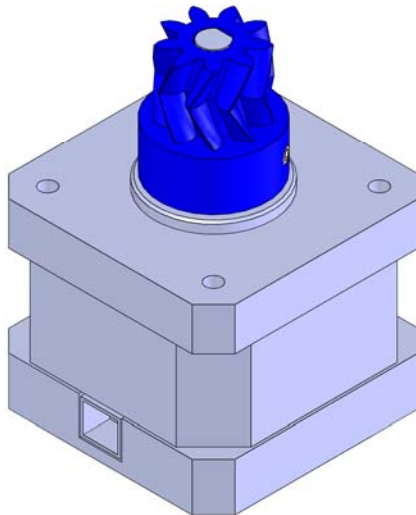
Assembling the extruder



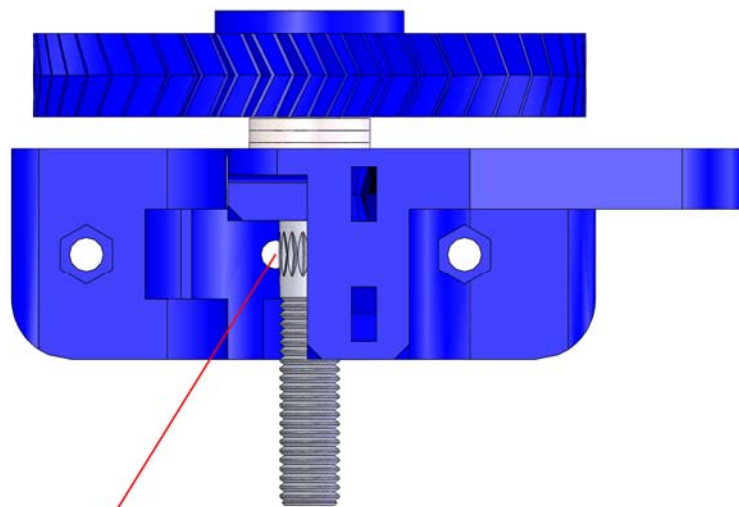
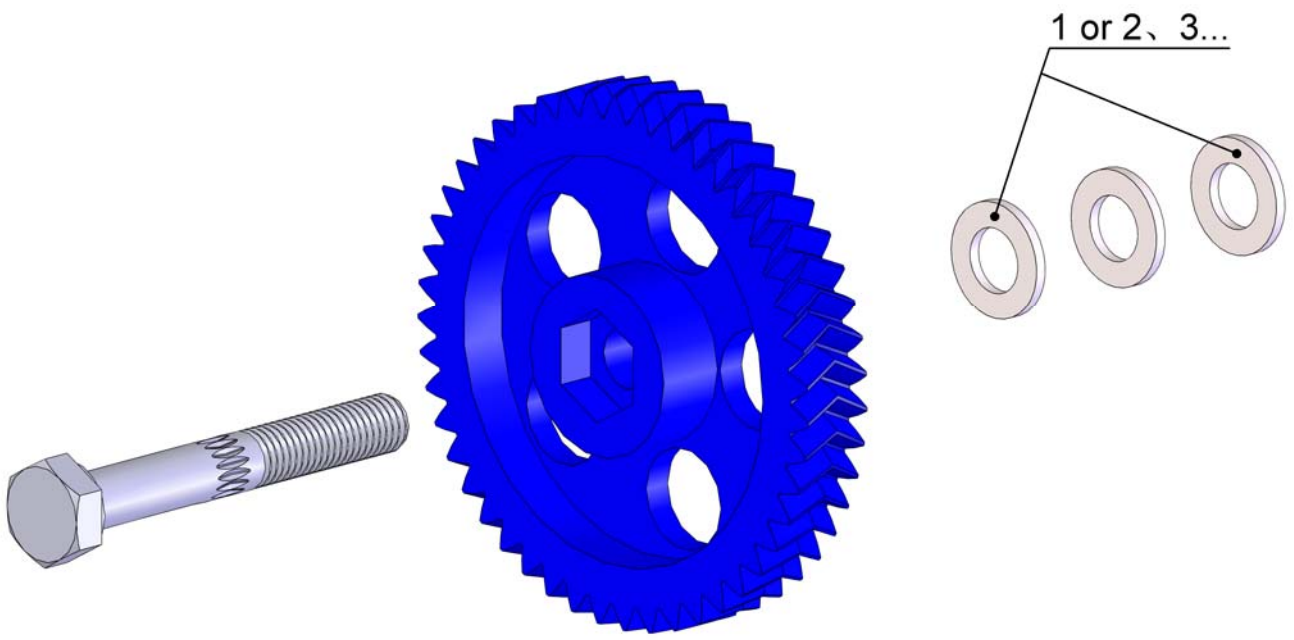
7



8

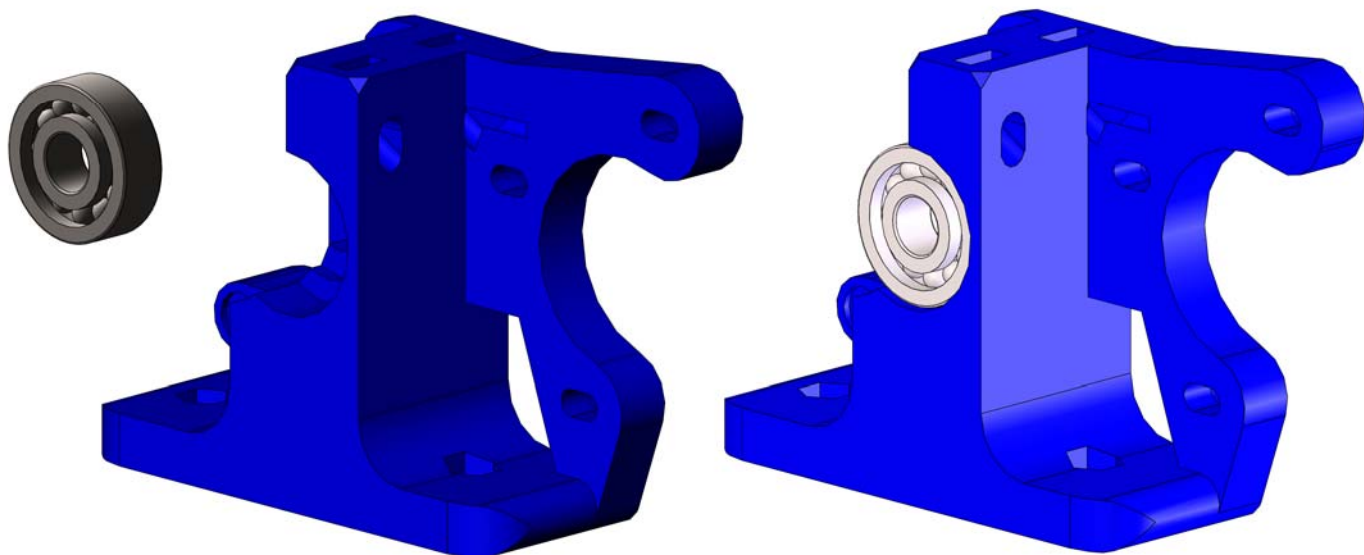


9

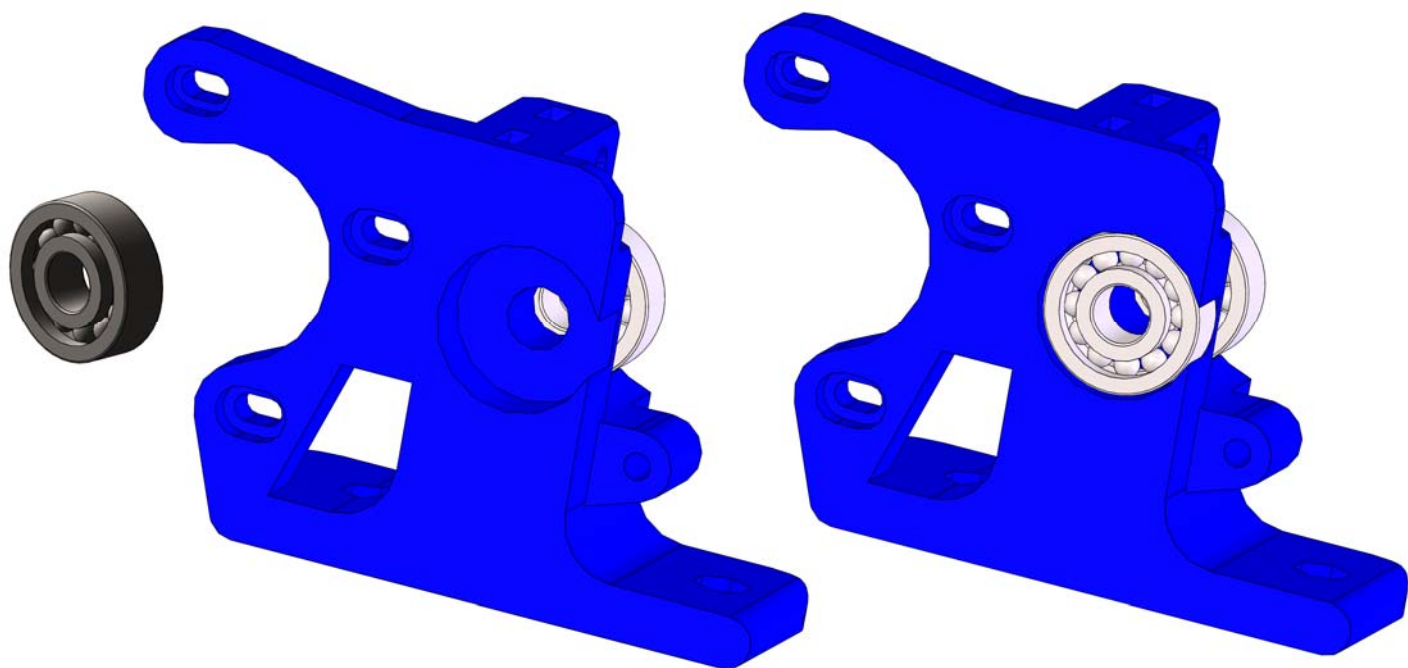


the M8 bolt's teeth crosses the filament feed channel

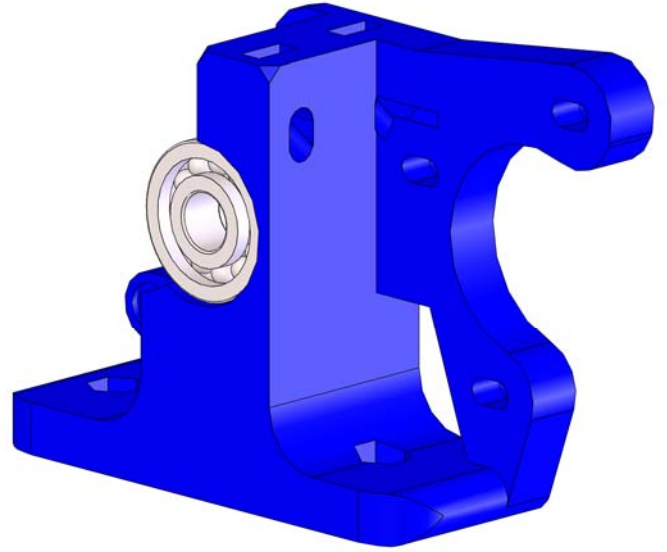
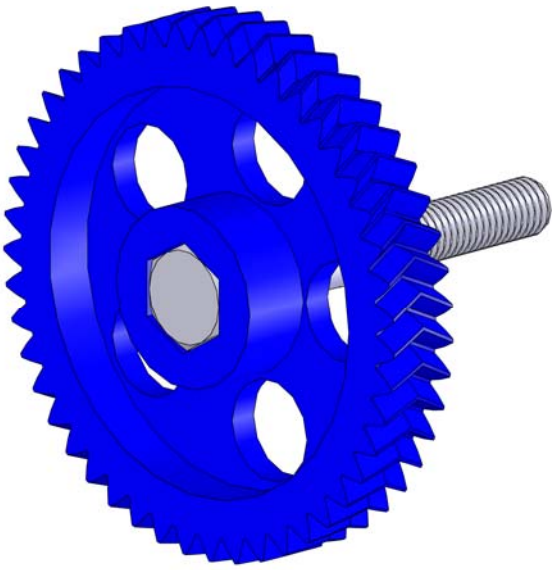
10



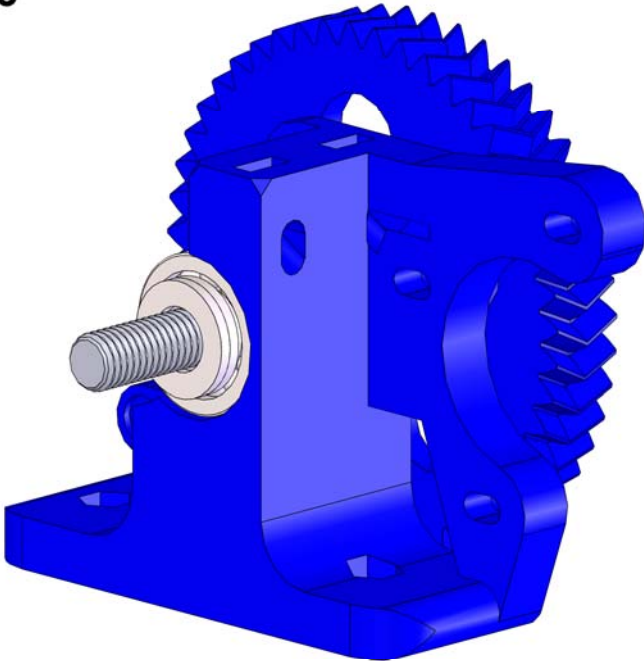
11



12



13

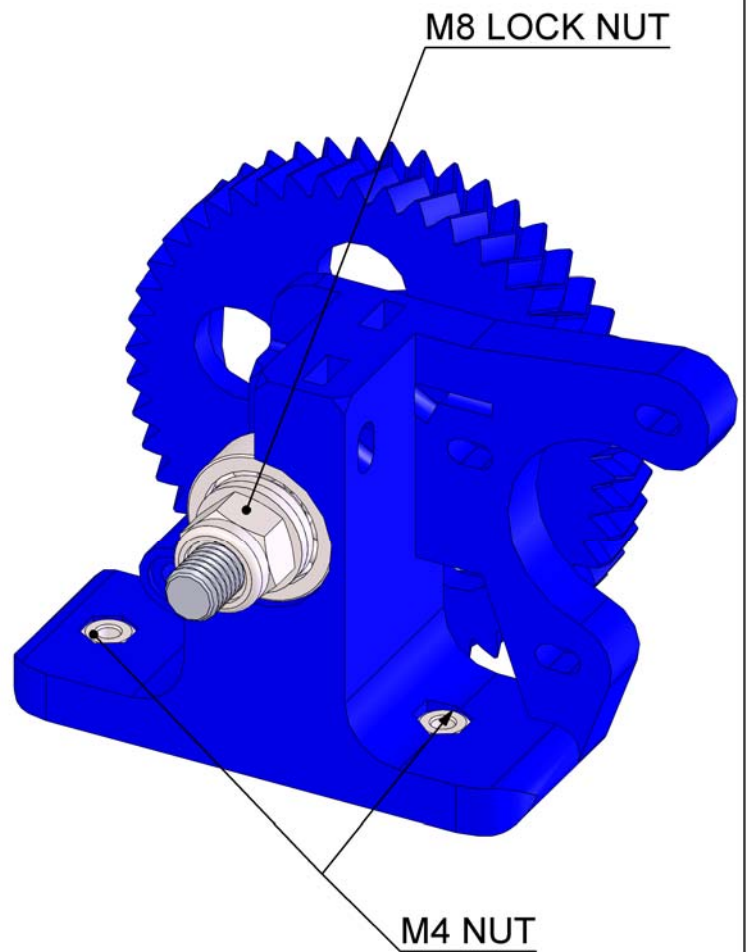


M4 NUT

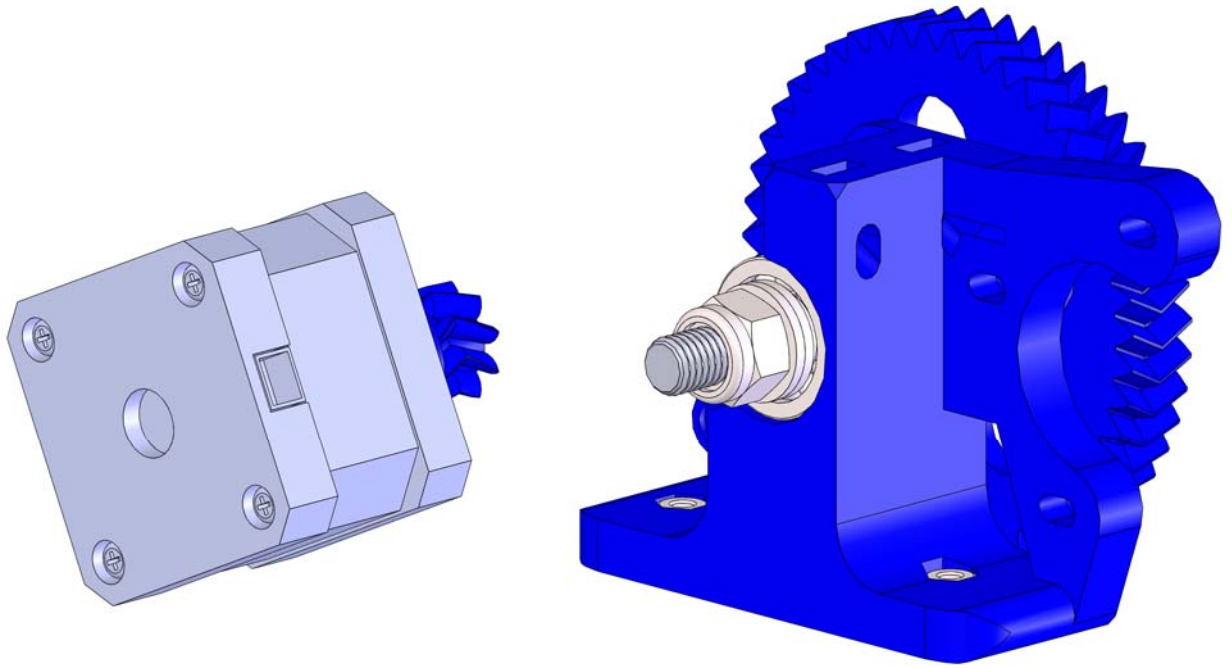


M8 LOCK NUT

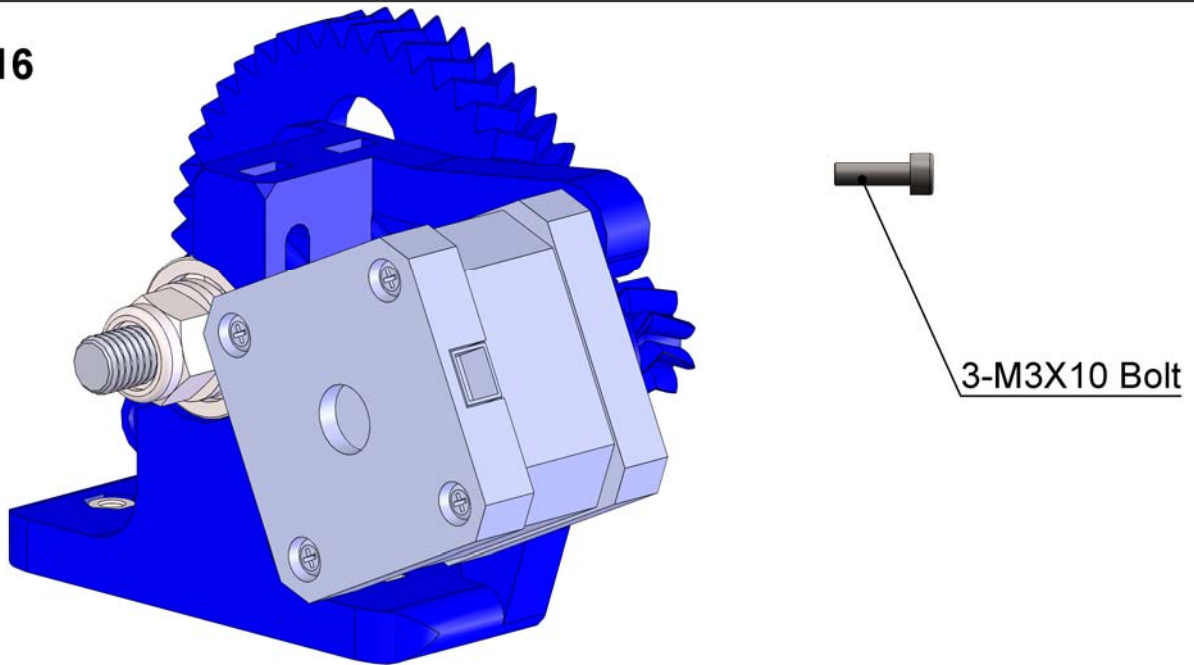
14



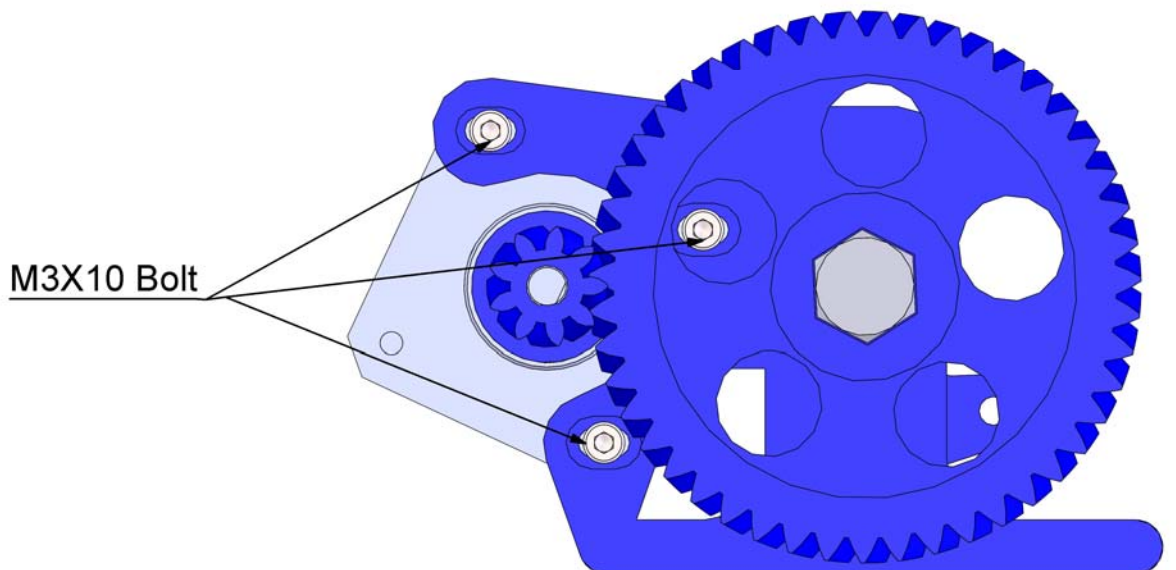
15



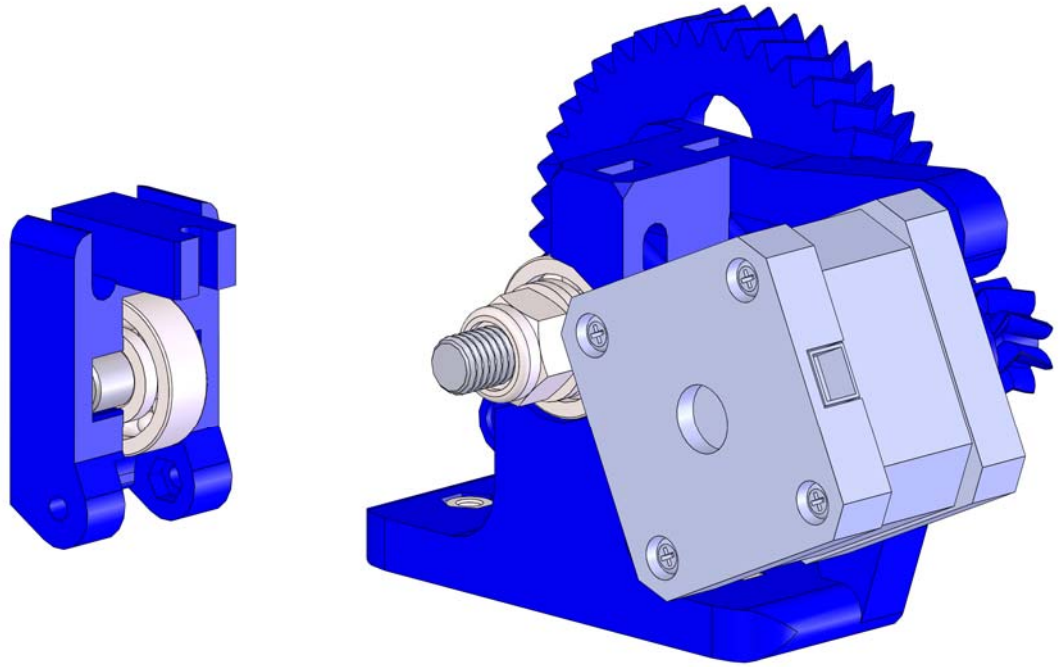
16



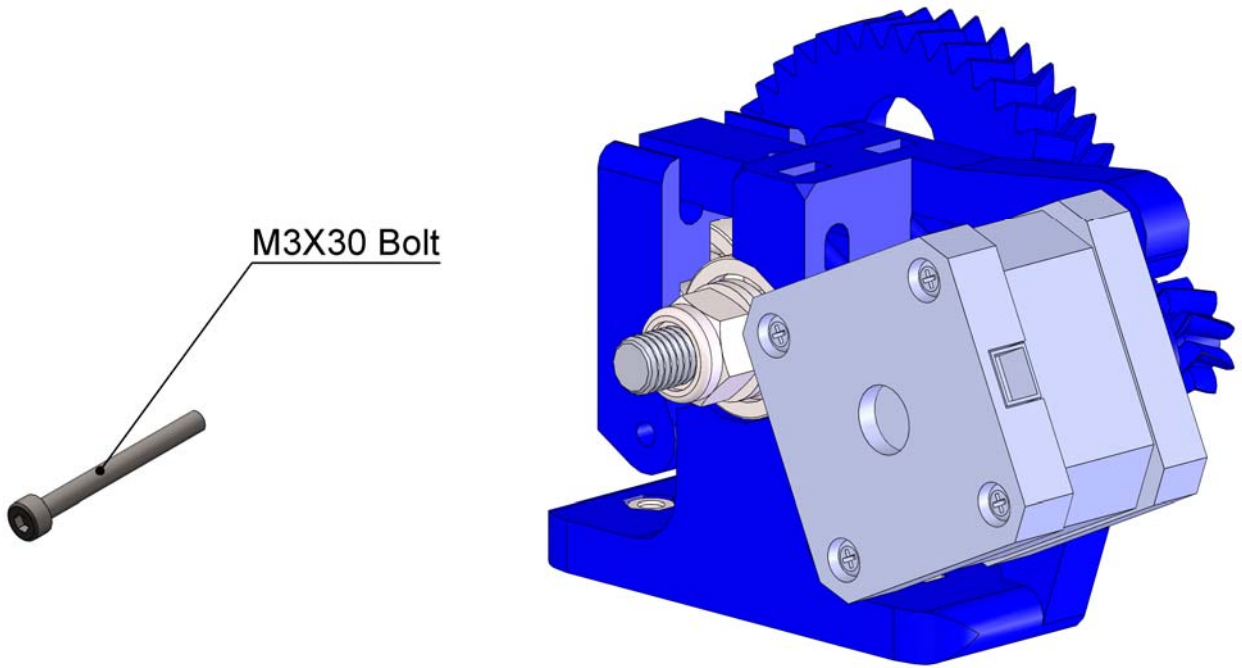
17



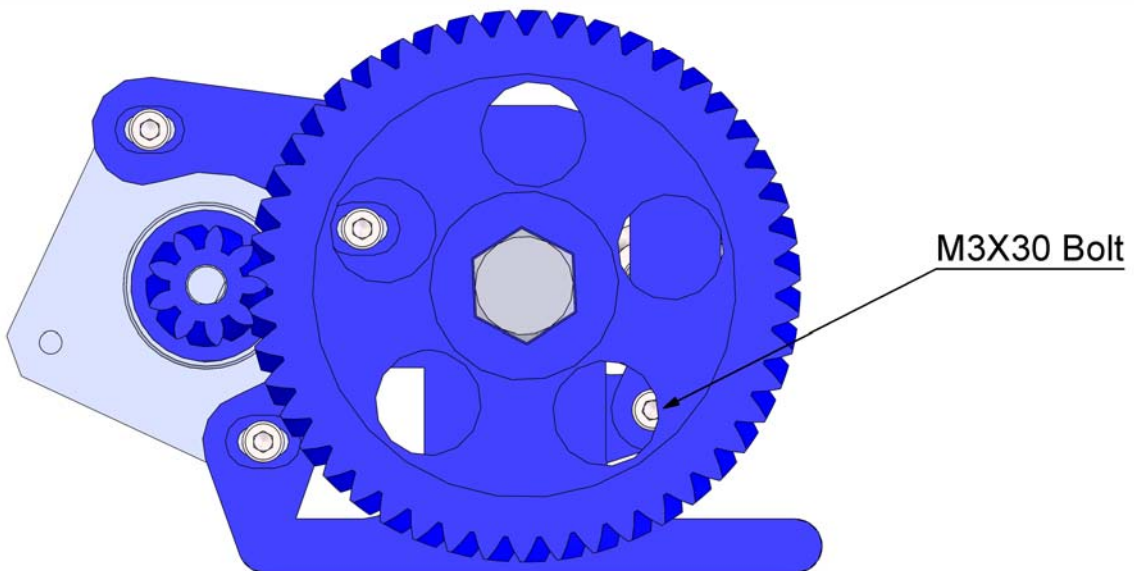
18



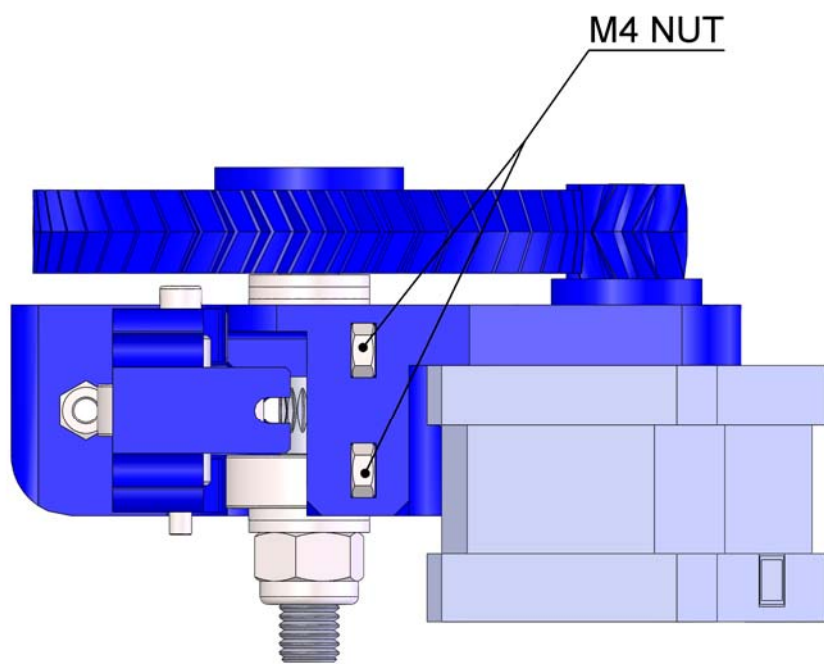
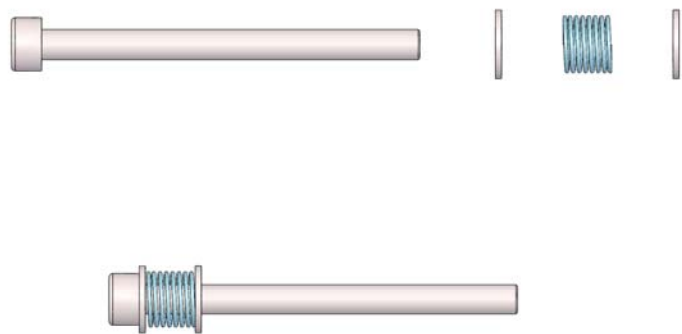
19



20



21



22

