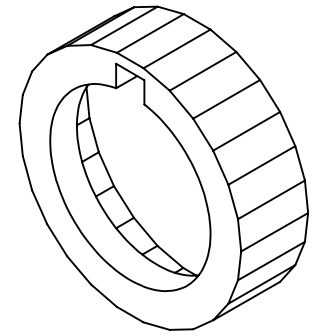
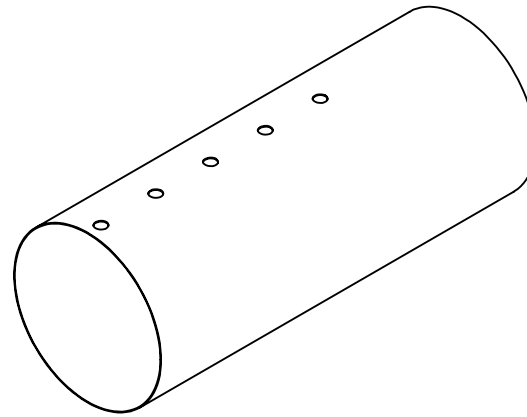
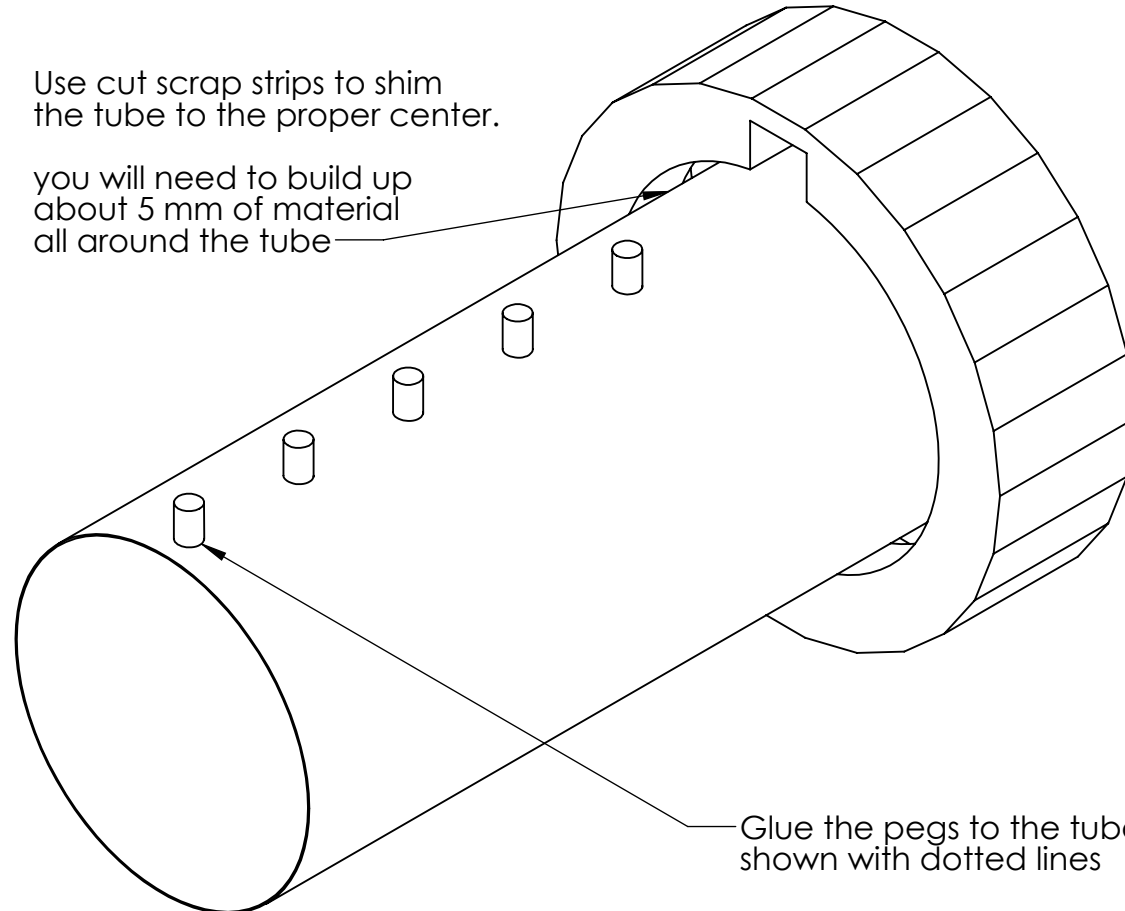


Roll the pin strip tight
and glue it to look like the small cylinder
shown here



Use cut scrap strips to shim
the tube to the proper center.

you will need to build up
about 5 mm of material
all around the tube



Glue the pegs to the tube on the spots
shown with dotted lines