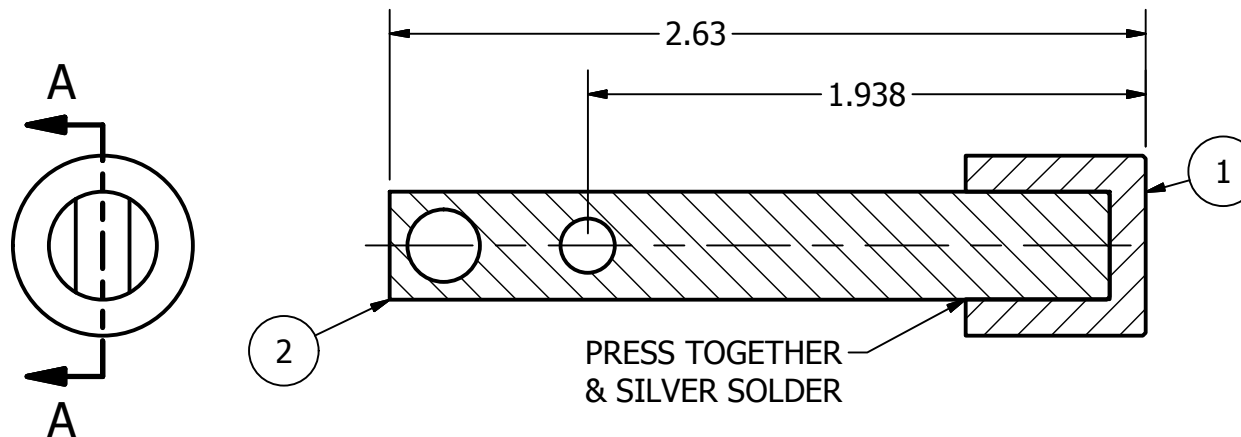


PARTS LIST			
ITEM	QTY	PART NUMBER	DESCRIPTION
1	1	Piston	MATERIAL: BRASS
2	1	Con Rod	MATERIAL: BRASS



SECTION A-A
SCALE 1.5

DRAWN Rob	5/12/2017	TITLE		
CHECKED				
QA				
MFG				
APPROVED				
		SIZE A	DWG NO Assy - Piston, Master	REV
		SCALE		SHEET 1 OF 1