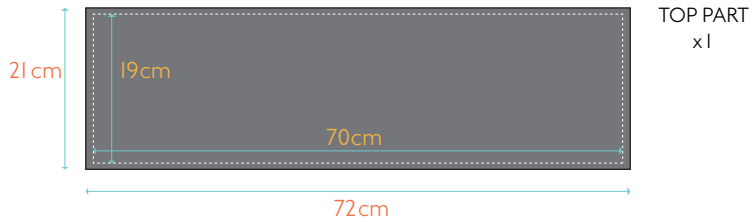
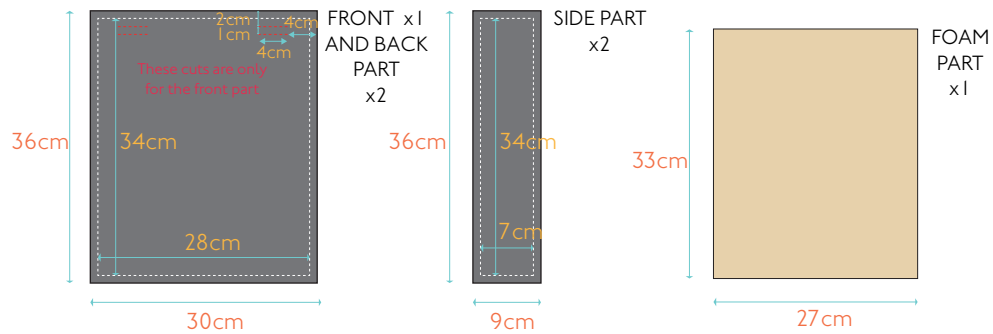


INTERCHANGEABLE CITY BACKPACK TEMPLATE

TOP



MIDDLE



BOTTOM



INSIDE



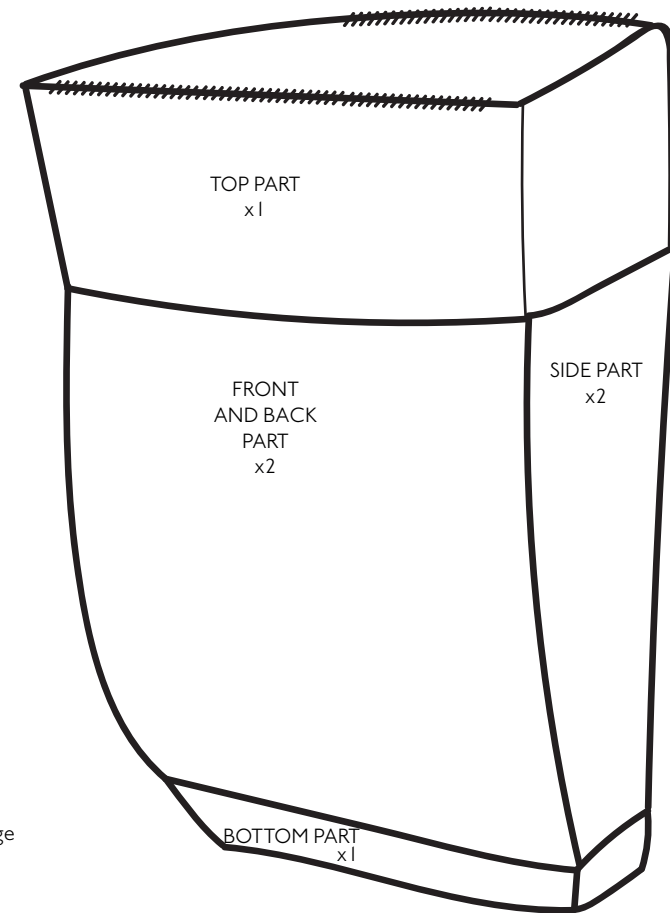
- Where to fold
- End of the fabric
- Cuts
- Where to sew, at 1cm from the edge
- Foam
- Strap
- Fabric

FABRIC

60cm x 130cm
and you have
extra just in case
you need it !

FOAM

33cm x 27cm



You will find more informations in the steps below with pictures and explanations