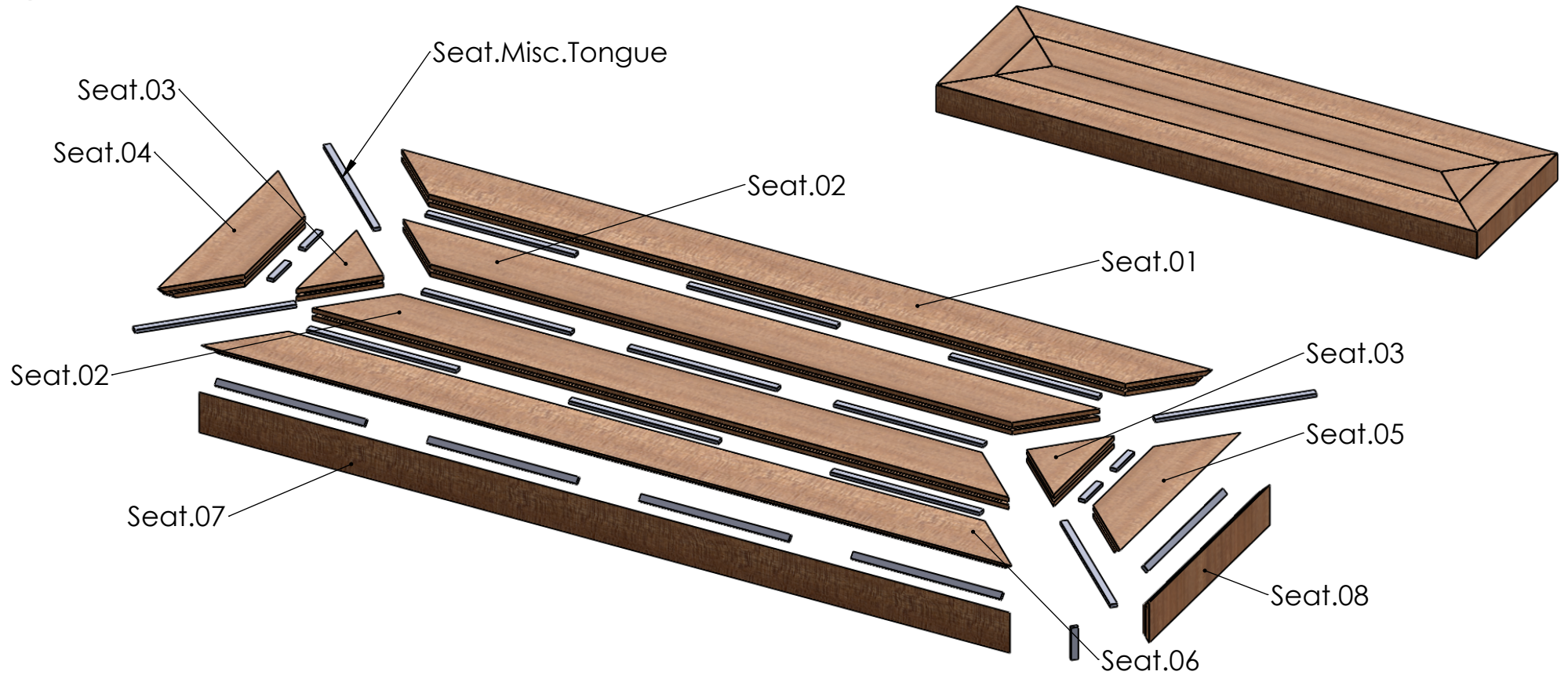


Mud Bench Design REV A - 1/31/14

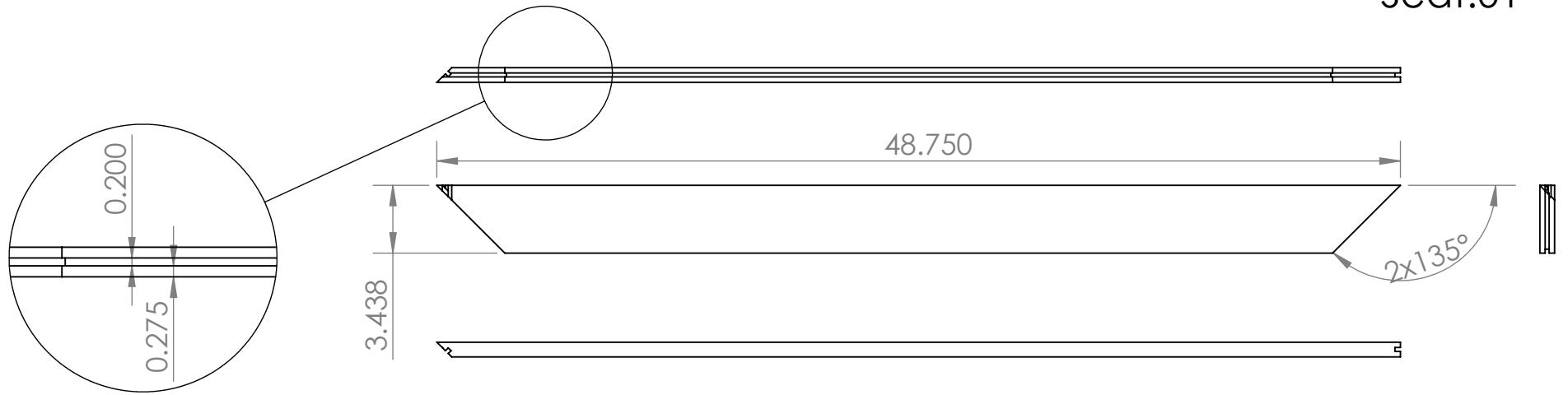
Assembly 1: Seat

Created: Aaron Floeter



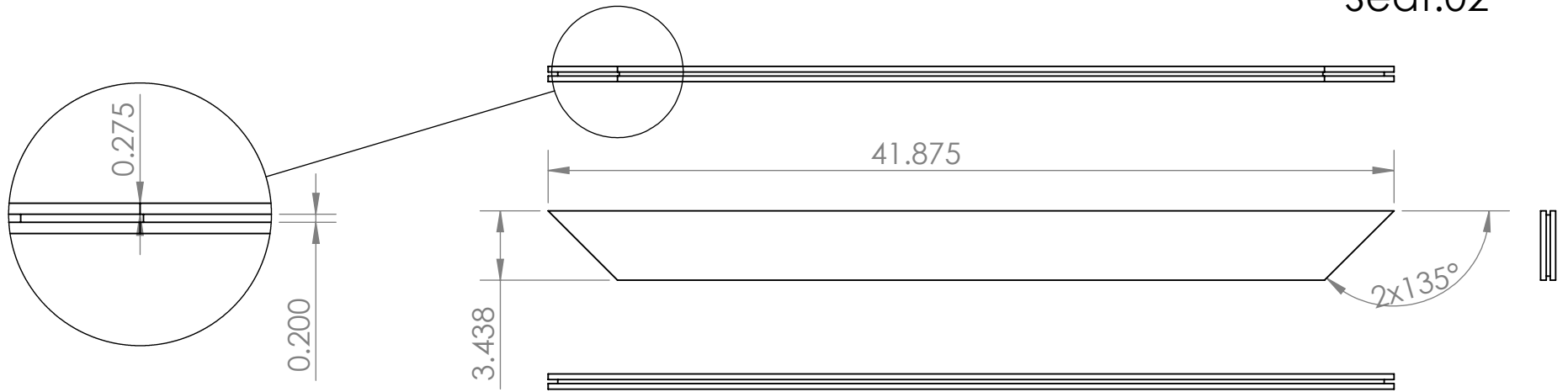
Qty	Part Number	Thickness	Length	8' (96") Piece
1	Seat.01	3/4"	48 3/4"	1
2	Seat.02	3/4"	41 7/8"	1 & 2
2	Seat.03	3/4"	6 7/8"	3
1	Seat.04	3/4"	13 3/4"	3
1	Seat.05	3/4"	13 3/4"	3
1	Seat.06	3/4"	48 3/4"	2
1	Seat.07	3/4"	48 3/4"	3
1	Seat.08	3/4"	13 3/4"	3
	Seat.Misc.Tongue	3/4"		

Seat.01



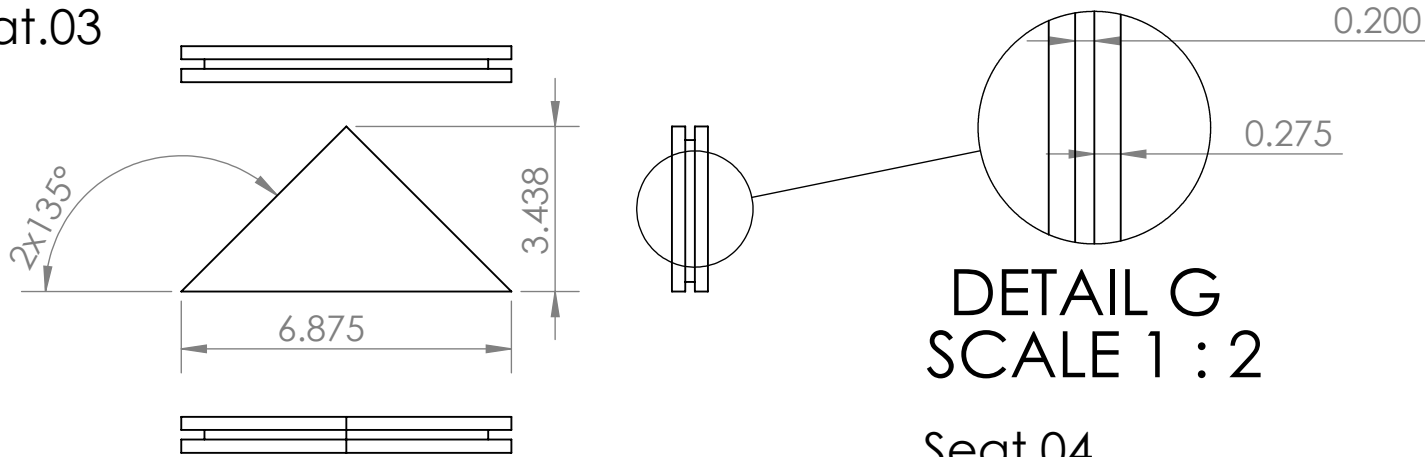
DETAIL B
SCALE 1 : 4

Seat.02



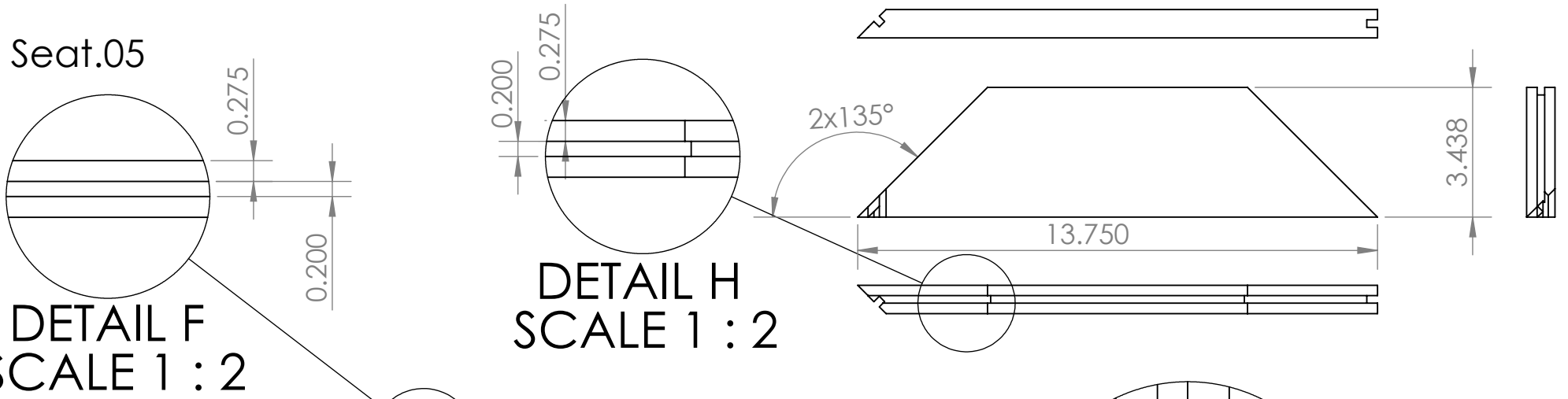
DETAIL C
SCALE 1 : 4

Seat.03

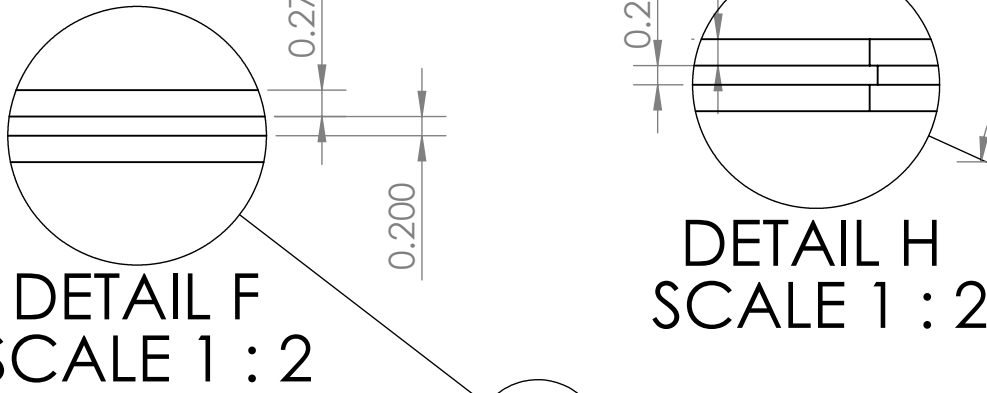


DETAIL G
SCALE 1 : 2

Seat.04

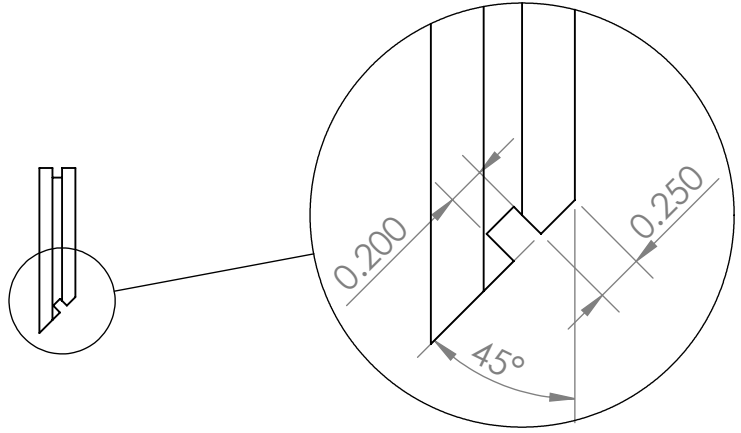
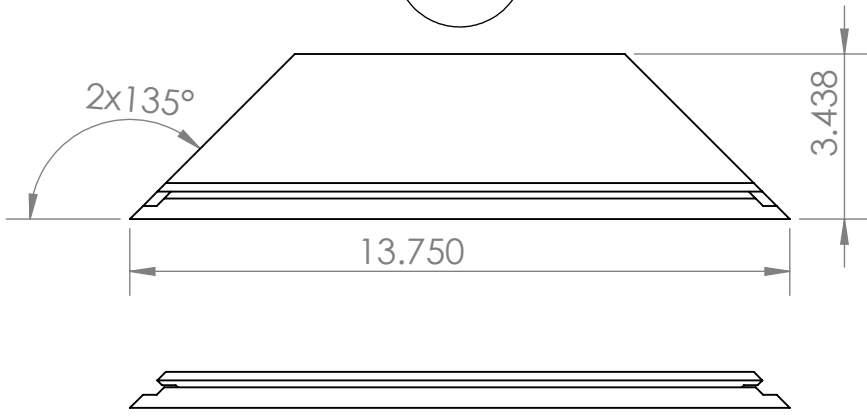


Seat.05



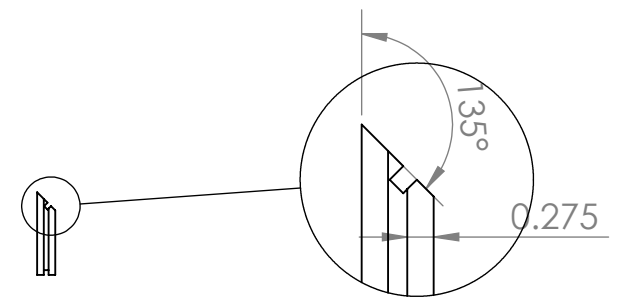
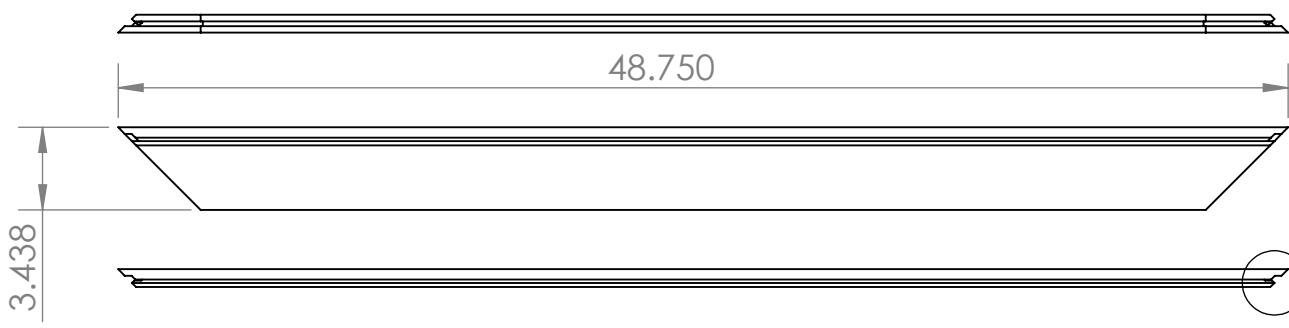
DETAIL F
SCALE 1 : 2

DETAIL H
SCALE 1 : 2

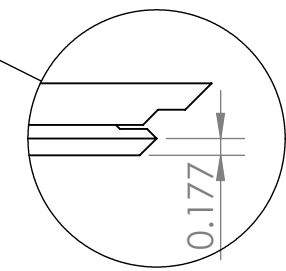


DETAIL D
SCALE 1 : 1

Seat.06

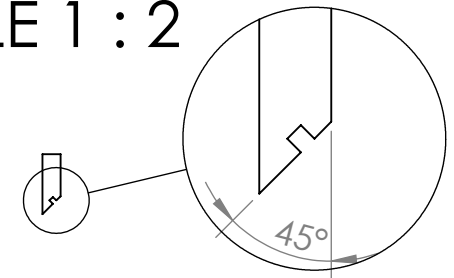
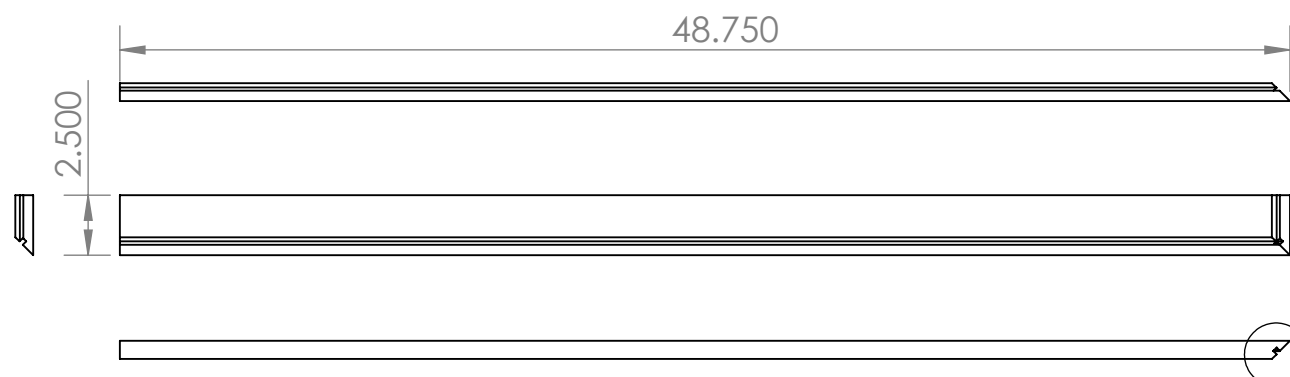


DETAIL U
SCALE 1 : 2



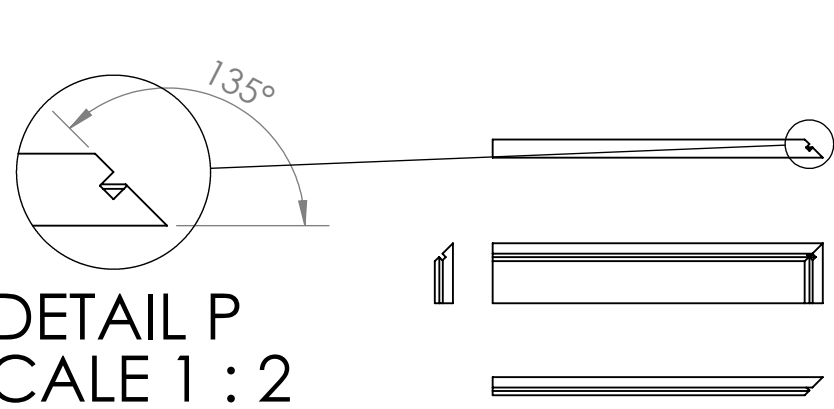
DETAIL T
SCALE 1 : 2

Seat.07

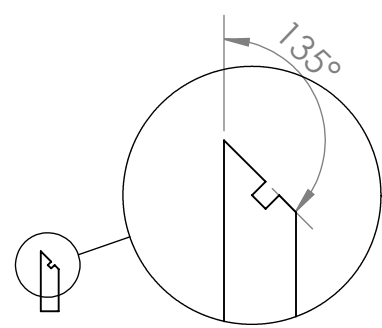


DETAIL L
SCALE 1 : 2

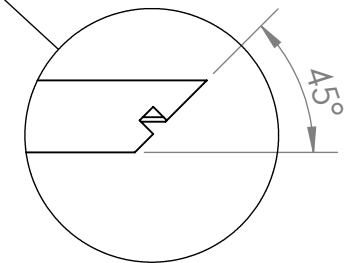
Seat.08



DETAIL P
SCALE 1 : 2



DETAIL K
SCALE 1 : 2



DETAIL N
SCALE 1 : 2