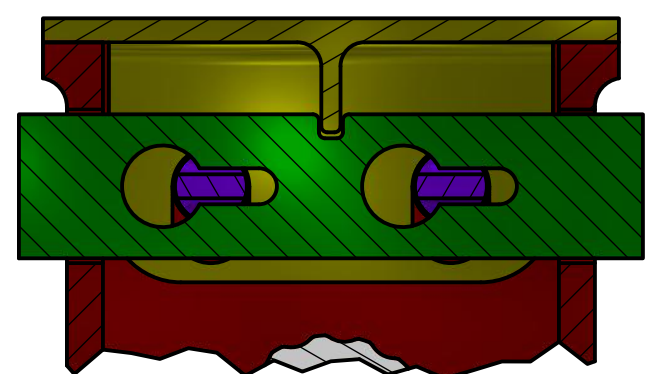
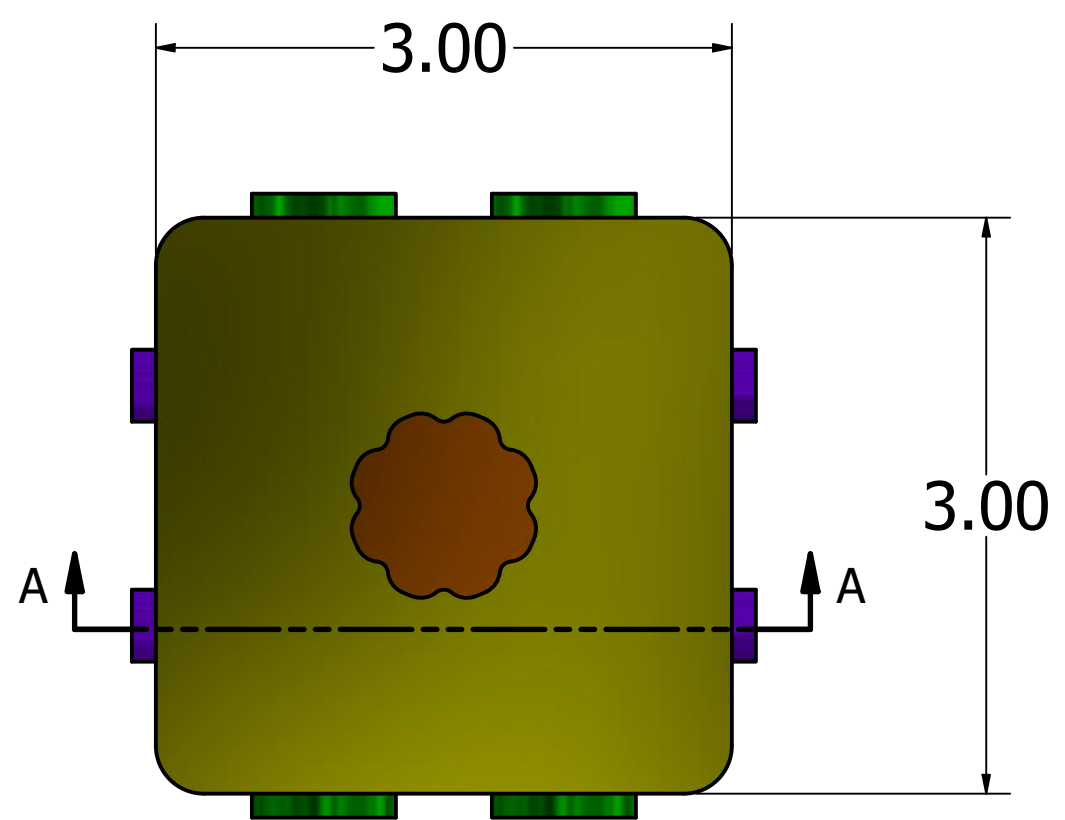


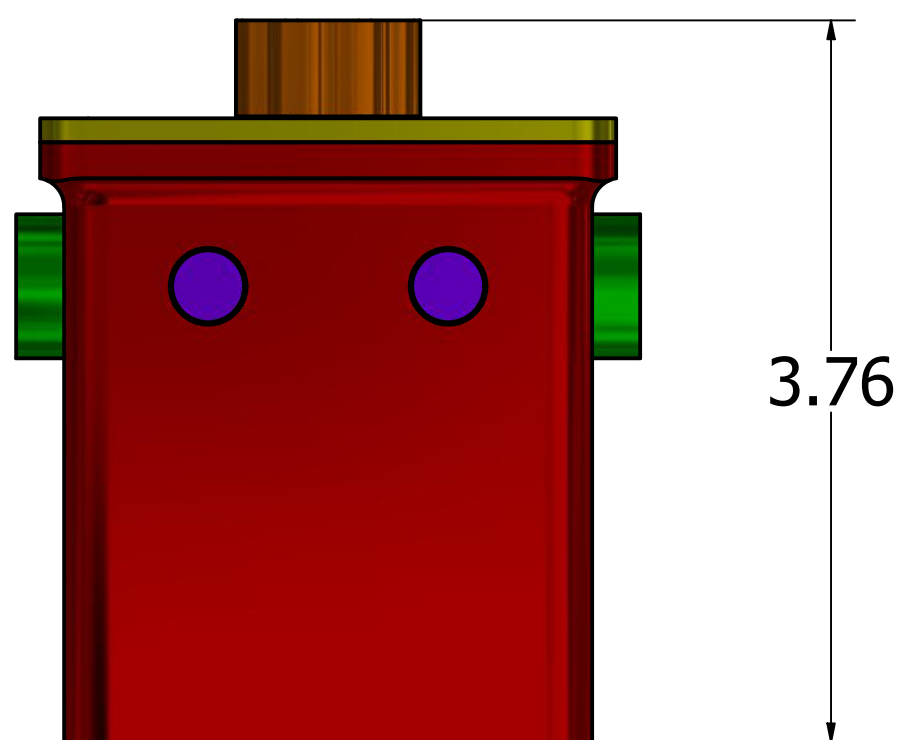
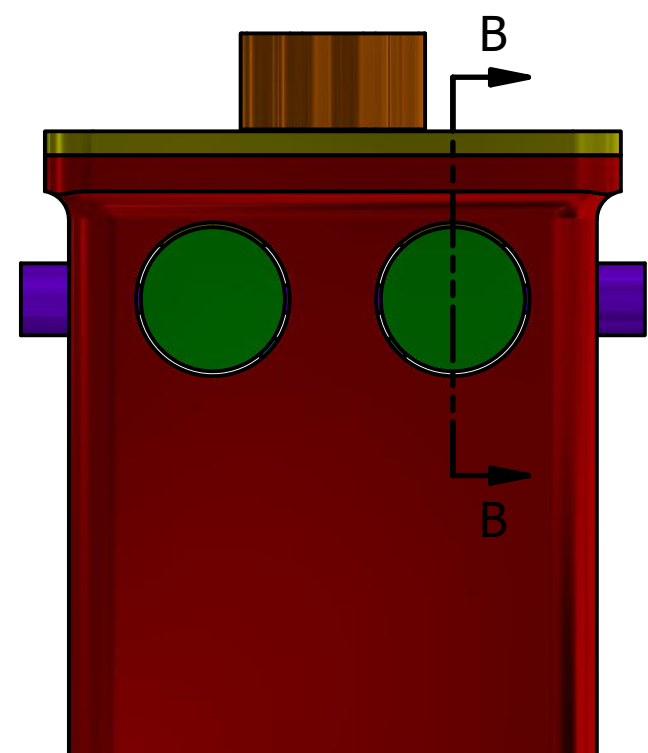
8 7 6 5 4 3 2 1

D

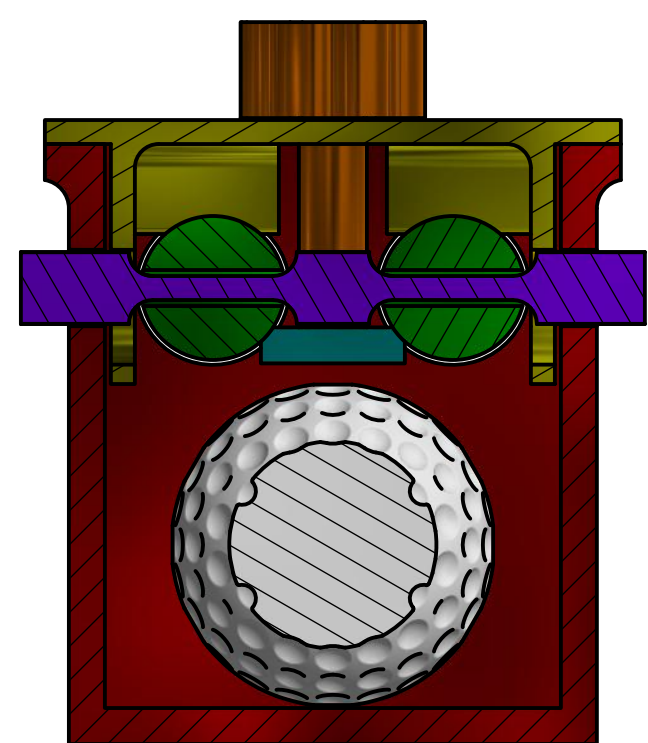
D



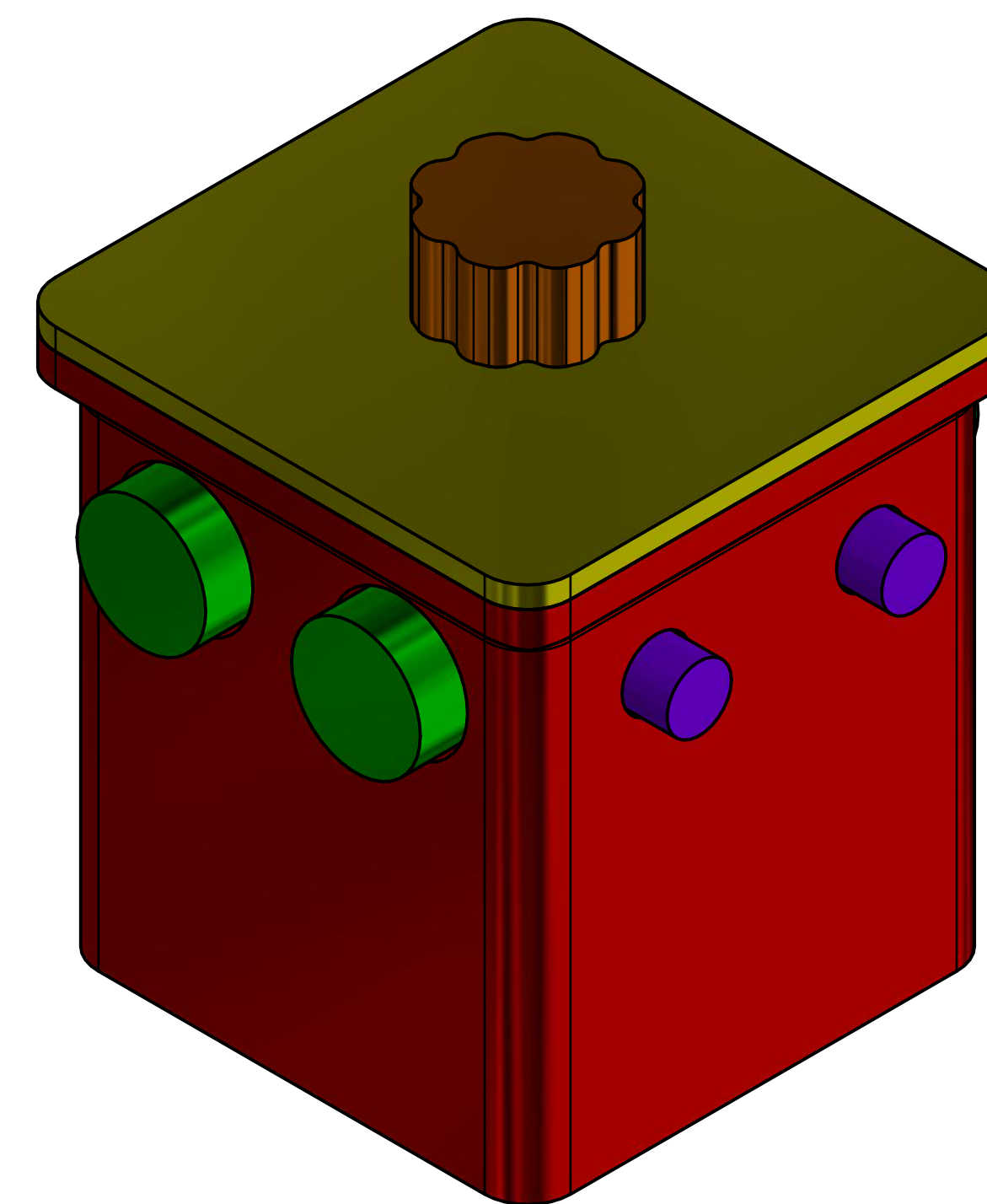
SECTION B-B  
SCALE 1



3.76



SECTION A-A  
SCALE 1



C

C

B

B

B

B

A

A

All Dimensions are in Inches

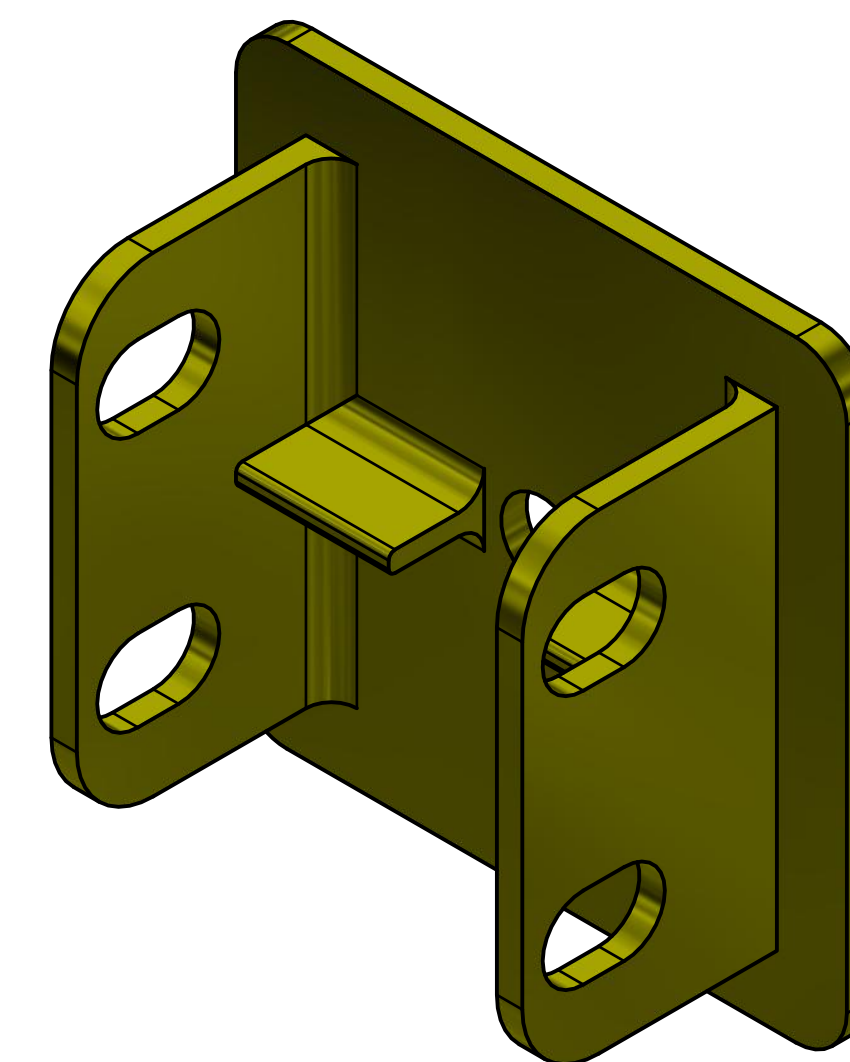
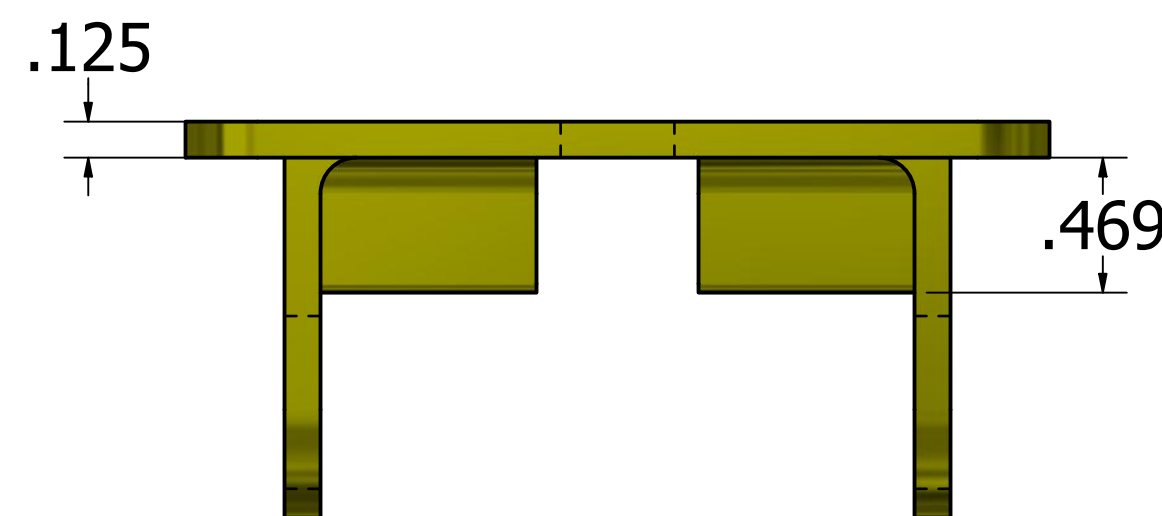
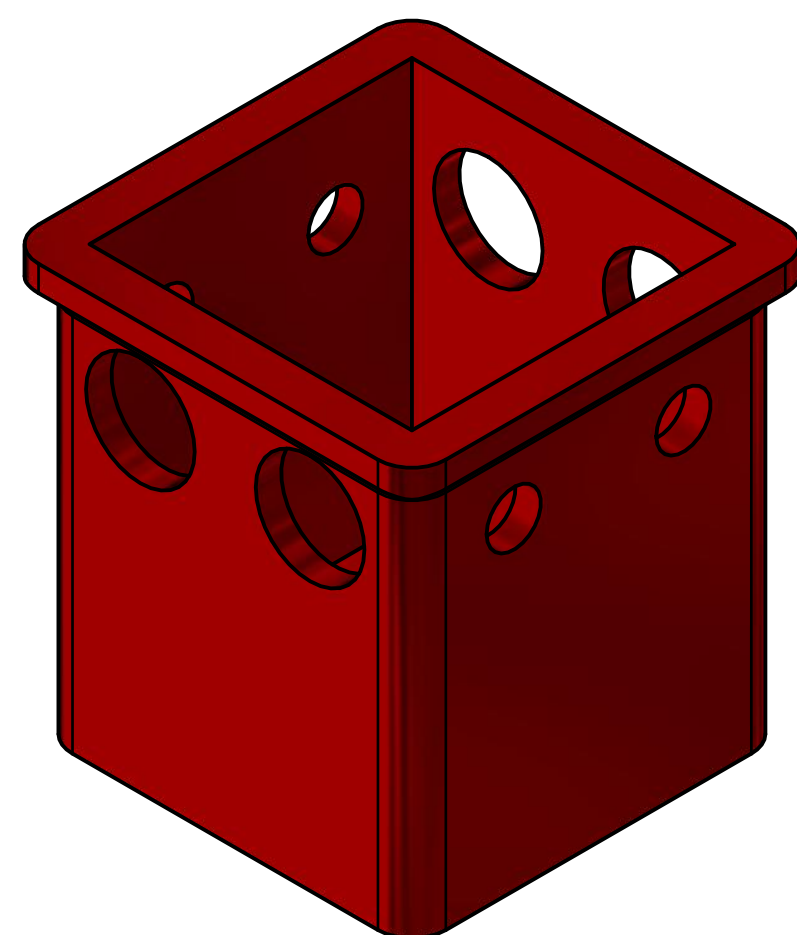
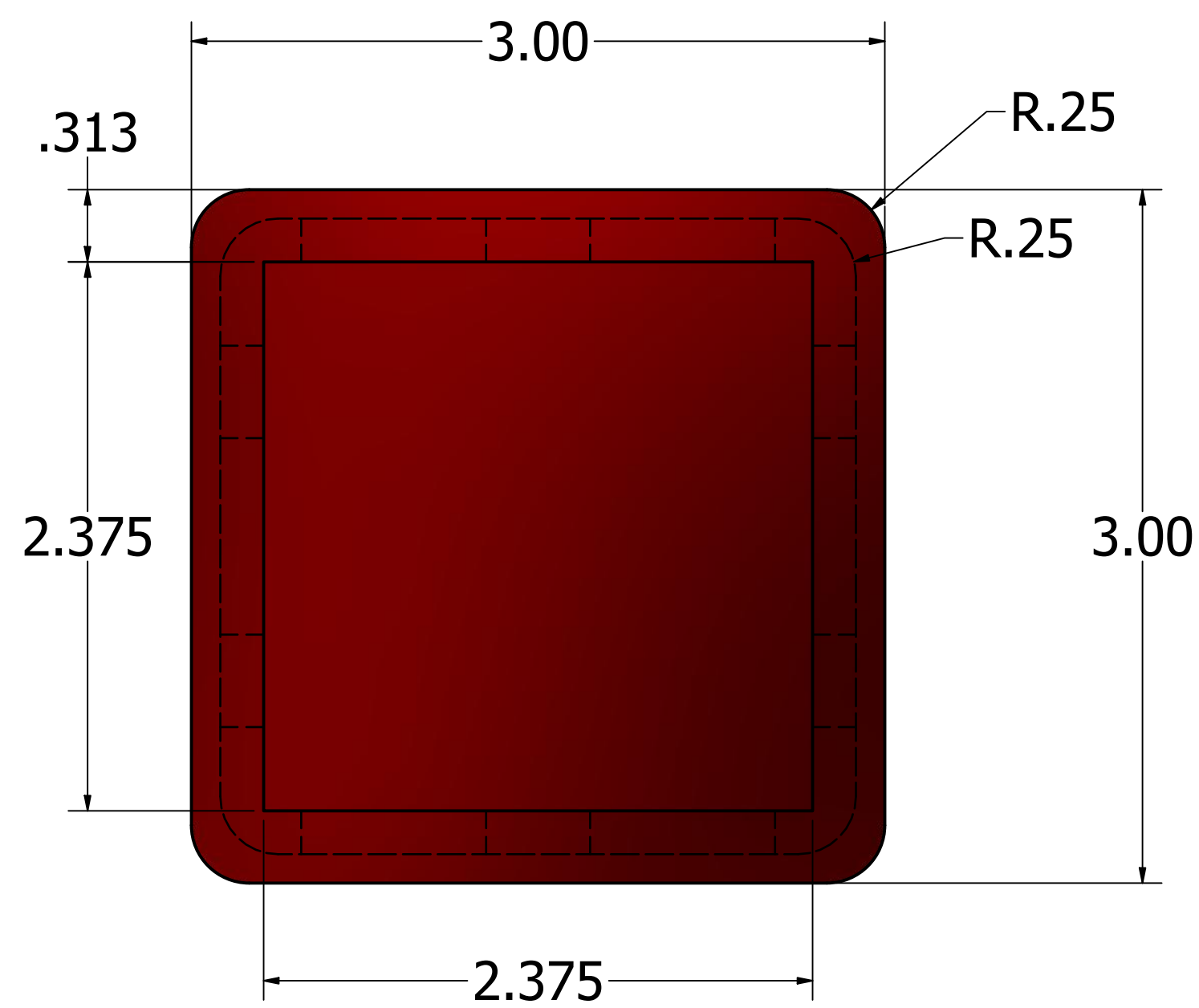
DRAWN	12/17/2020			
CHECKED		TITLE		
QA				
MFG				
APPROVED				
		SIZE	DWG NO	REV
		D		
		SCALE	1	SHEET 1 OF 5

8 7 6 5 4 3 2 1

8 7 6 5 4 3 2 1

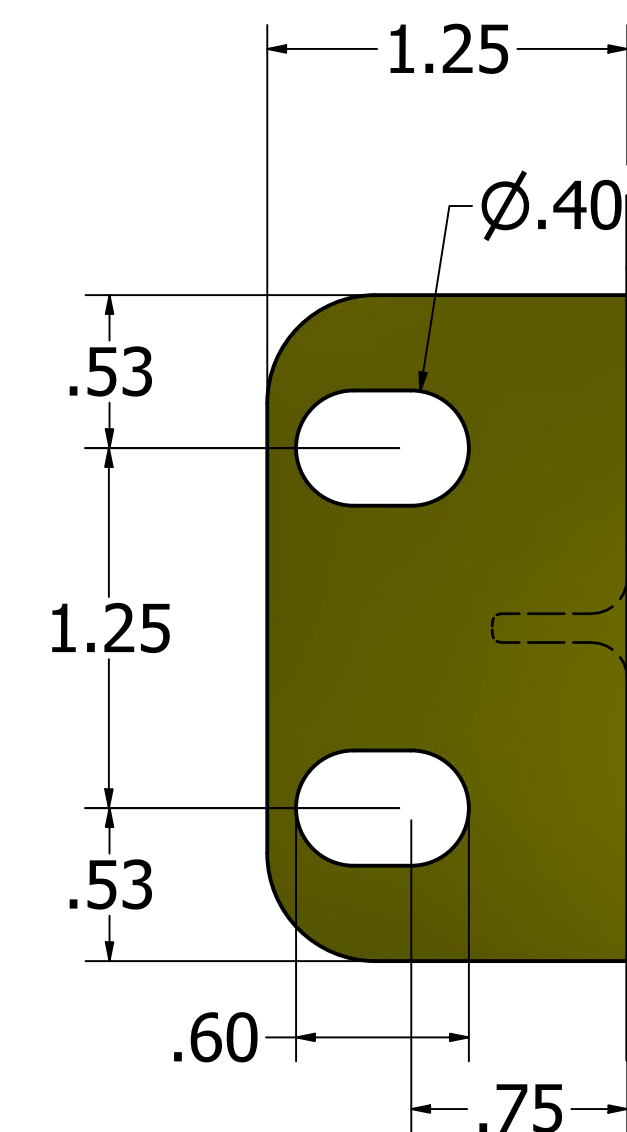
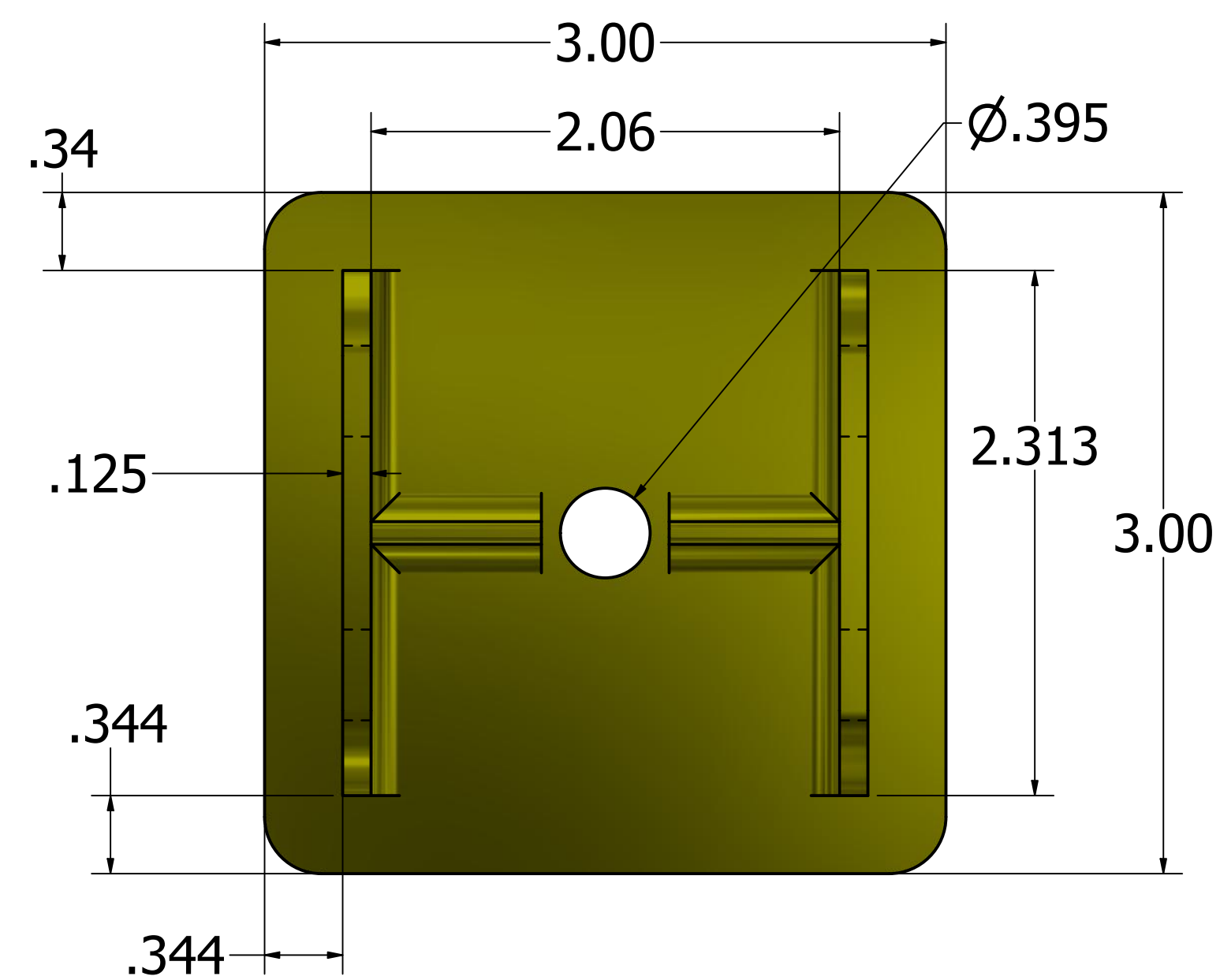
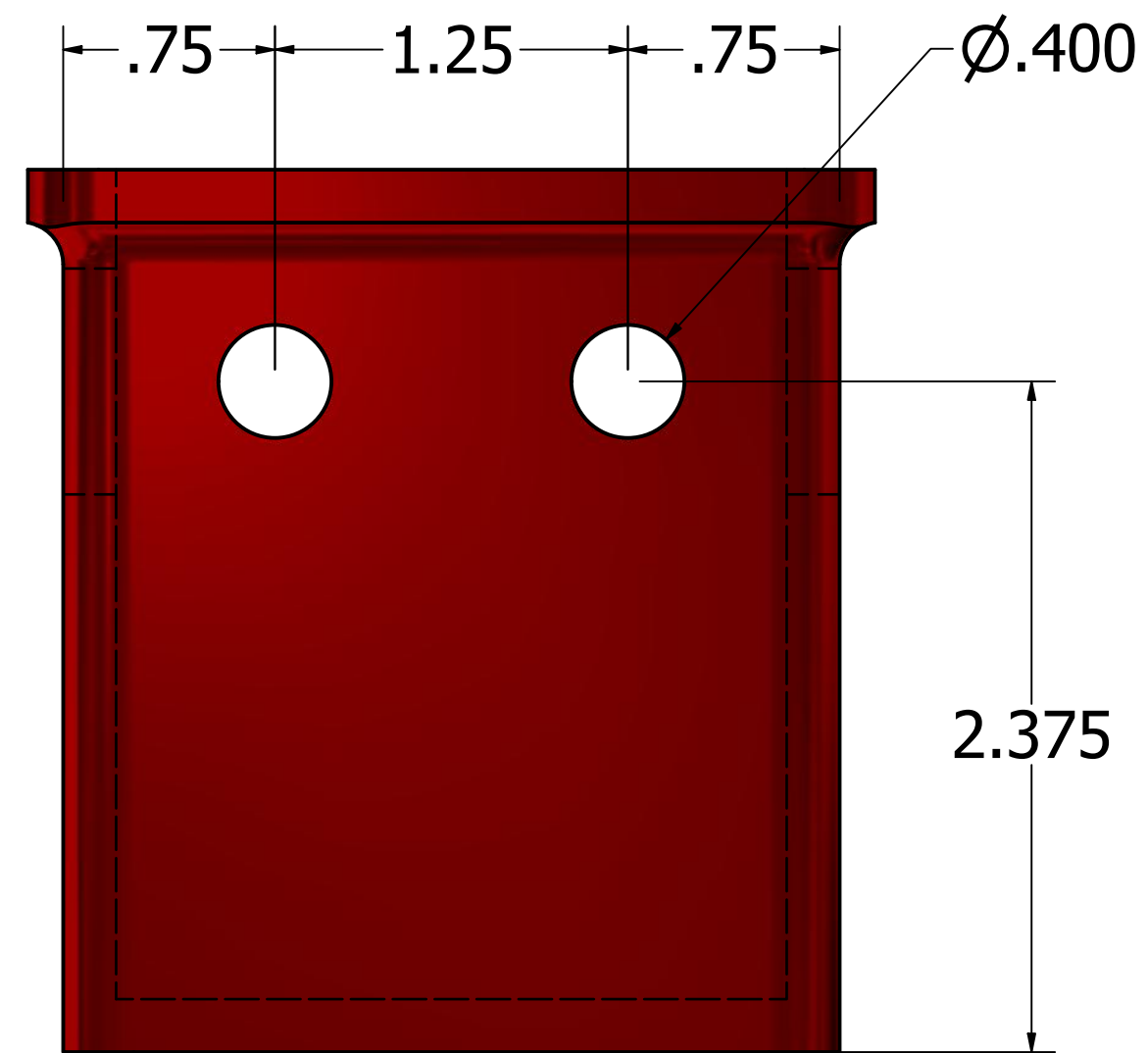
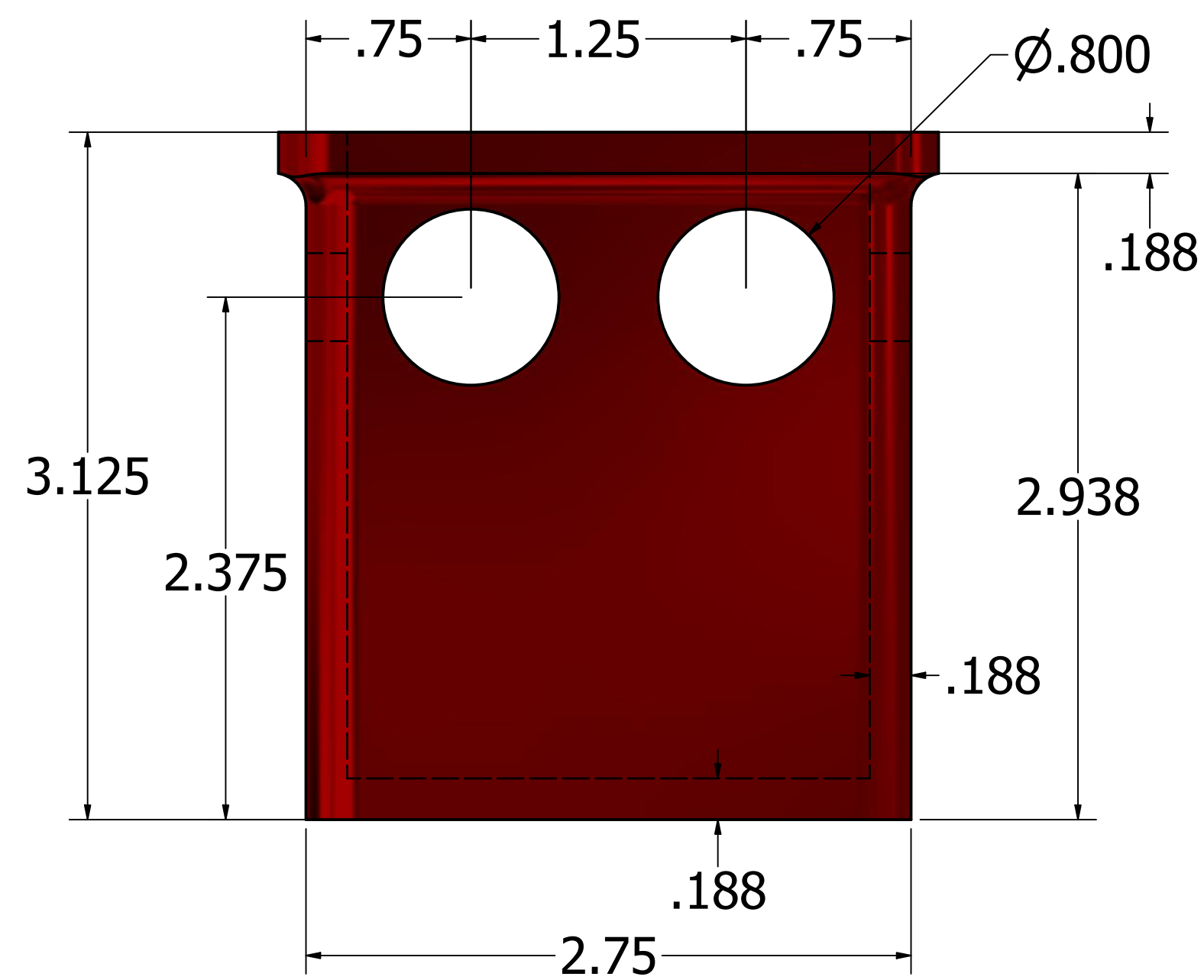
D

D



C

C



B

B

Lid

Box

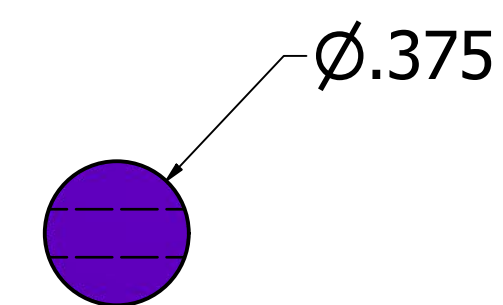
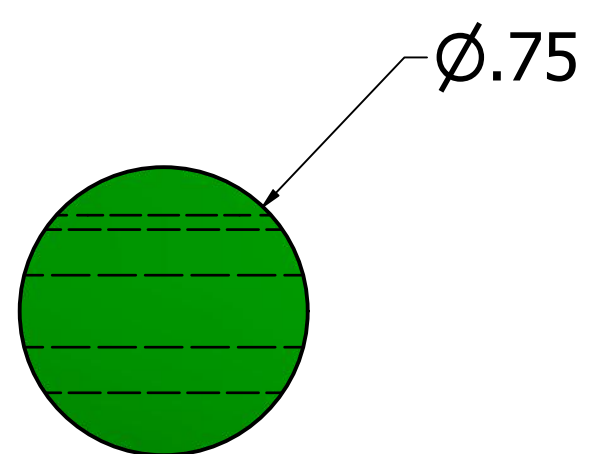
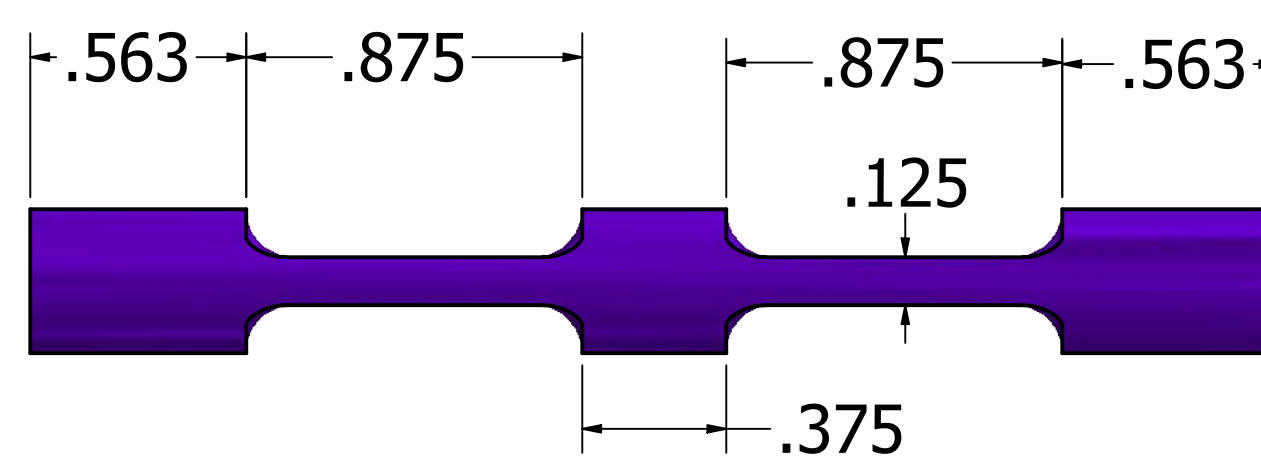
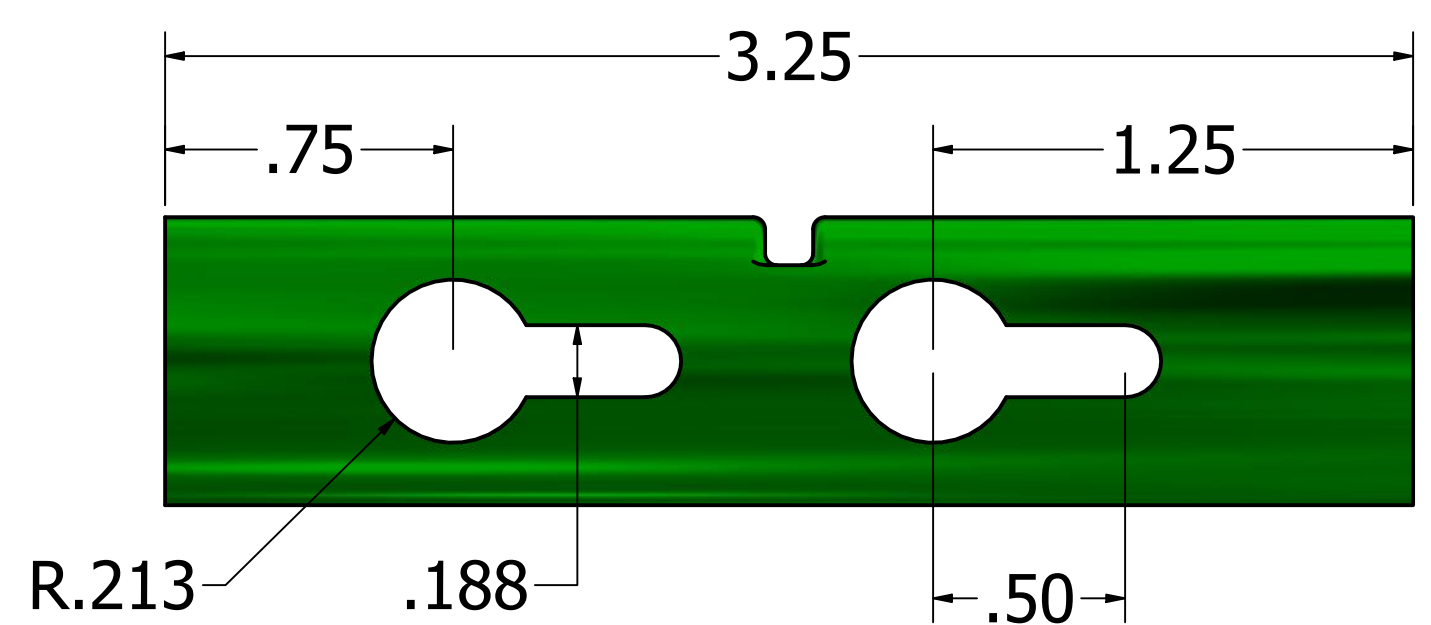
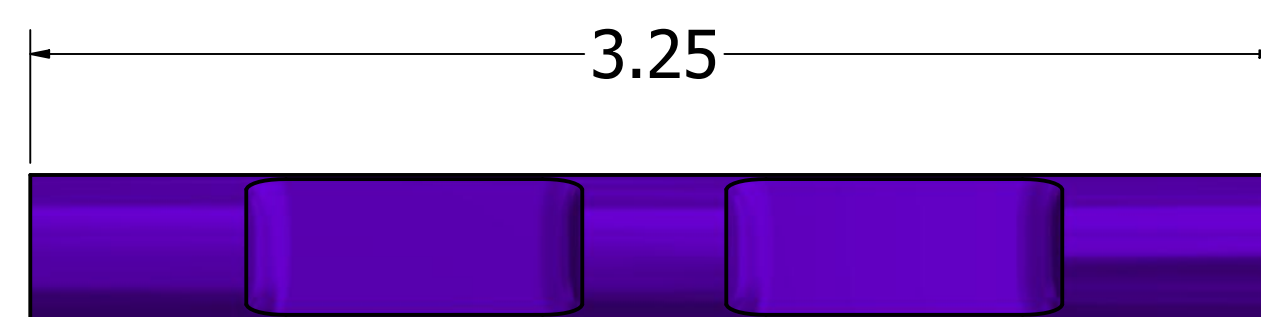
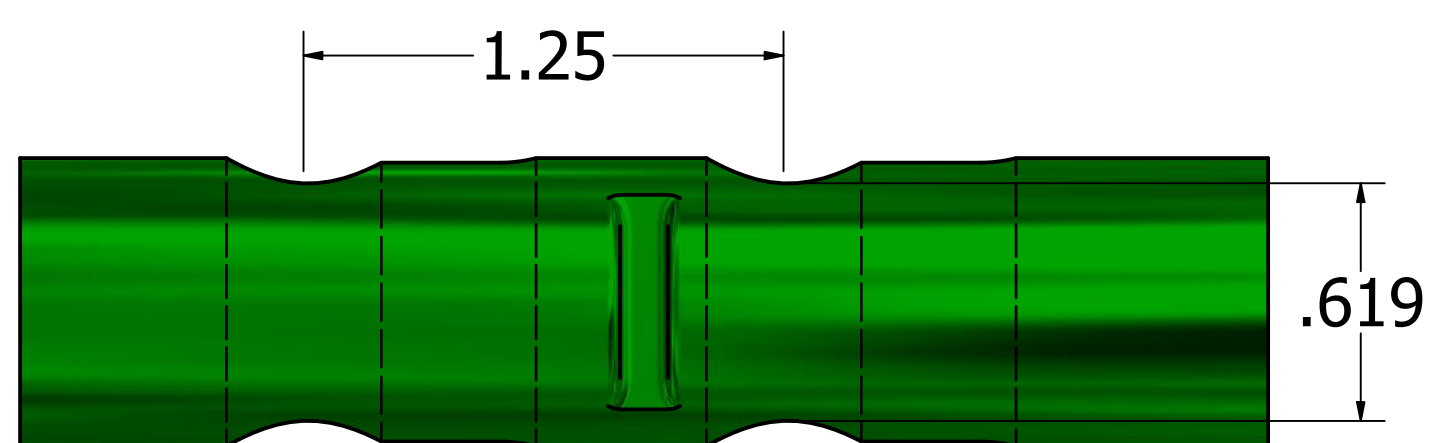
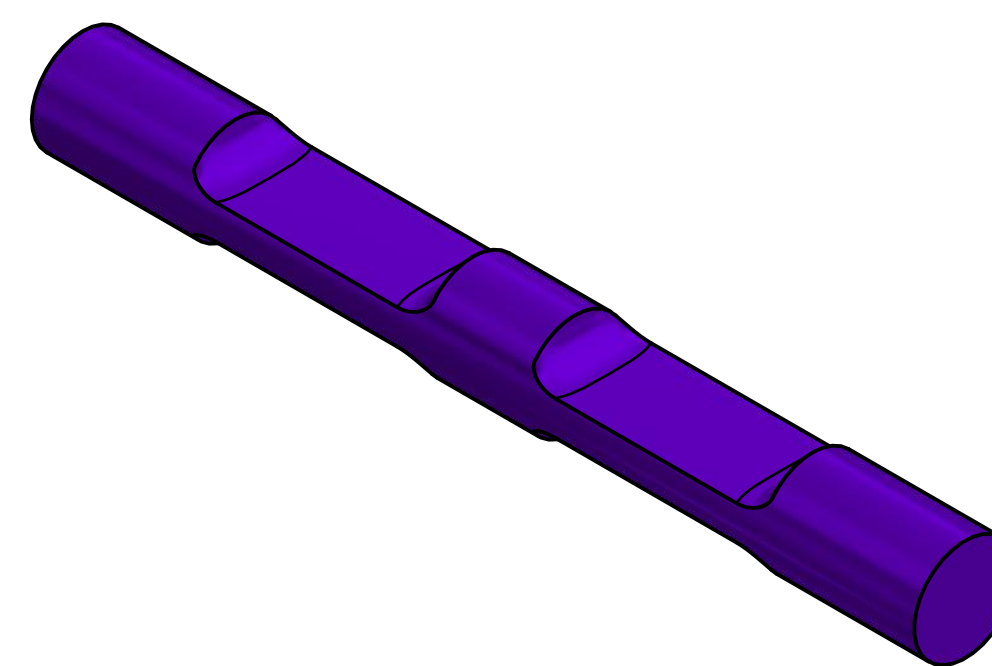
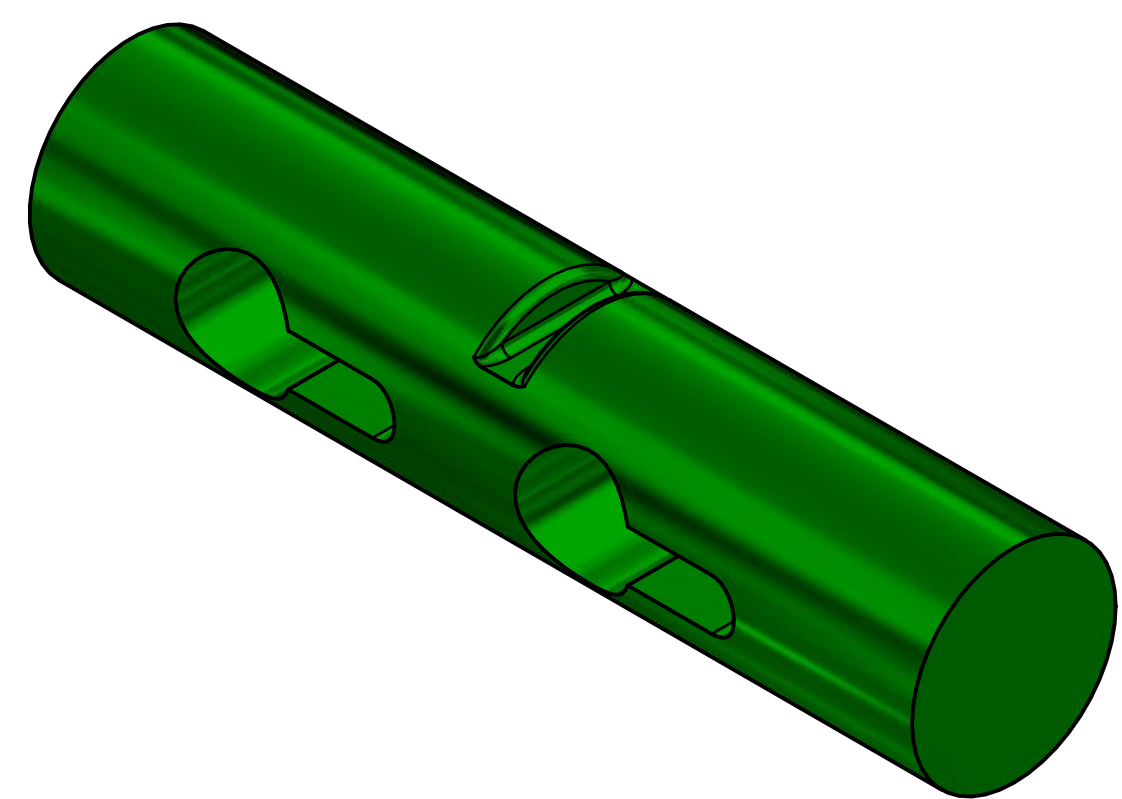
DRAWN	12/17/2020	TITLE		
CHECKED		TITLE		
QA		TITLE		
MFG		TITLE		
APPROVED		TITLE		
		SIZE	DWG NO	REV
		D		
		SCALE	1.5	SHEET 2 OF 5

8 7 6 5 4 3 2 1

A

A

8 7 6 5 4 3 2 1



Large Pin (x2)

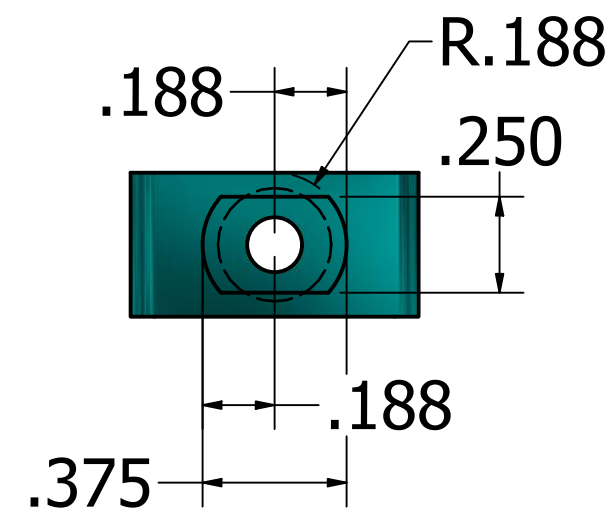
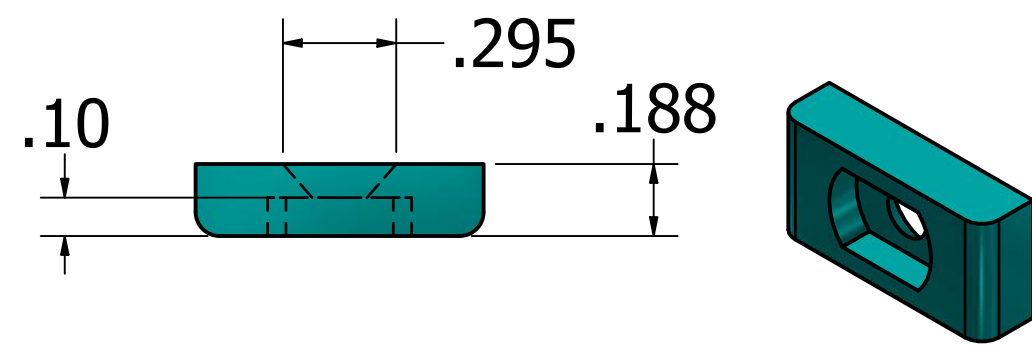
Small Pin (x2)

DRAWN	12/17/2020			
CHECKED		TITLE		
QA				
MFG				
APPROVED				
		SIZE	DWG NO	REV
		D		
		SCALE	2	SHEET 3 OF 5

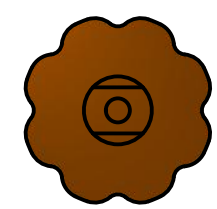
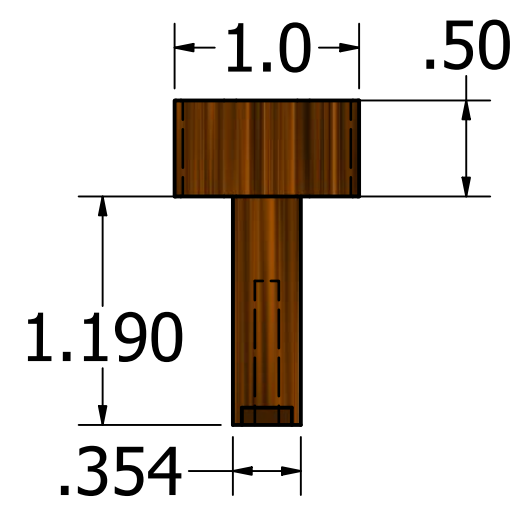
8 7 6 5 4 3 2 1



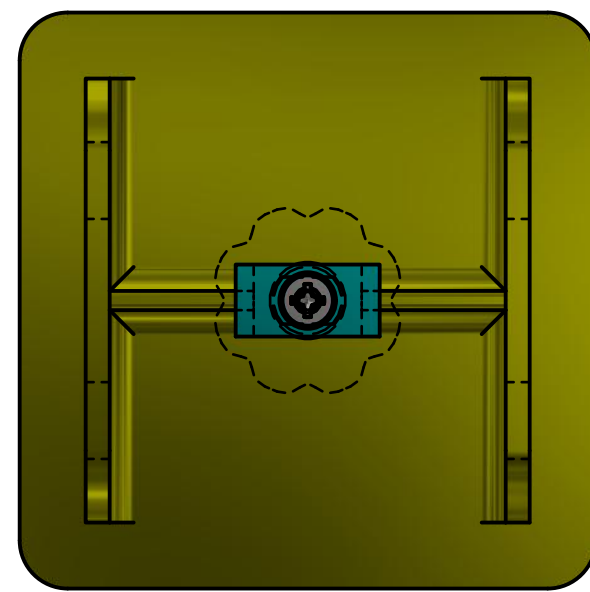
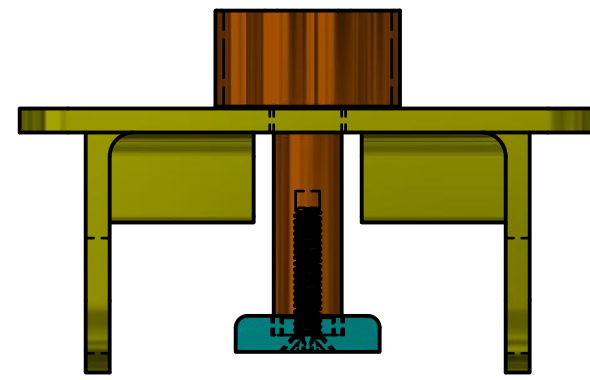
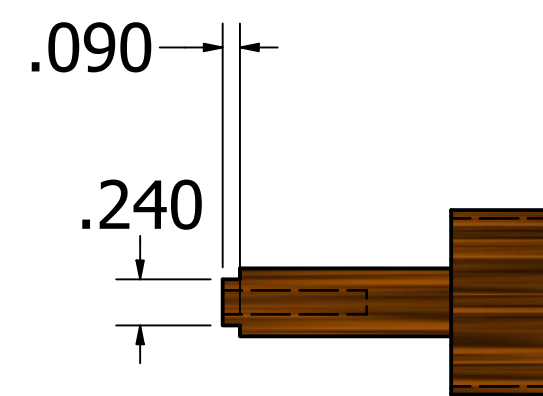
8 7 6 5 4 3 2 1



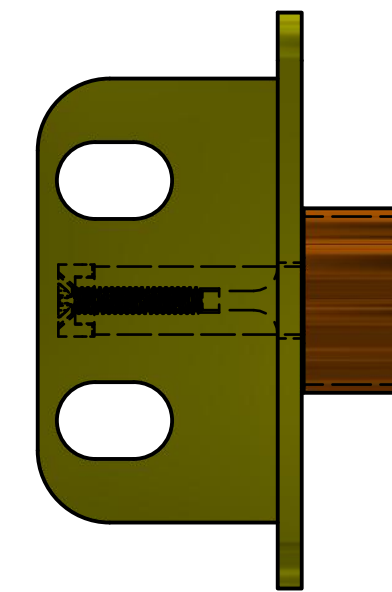
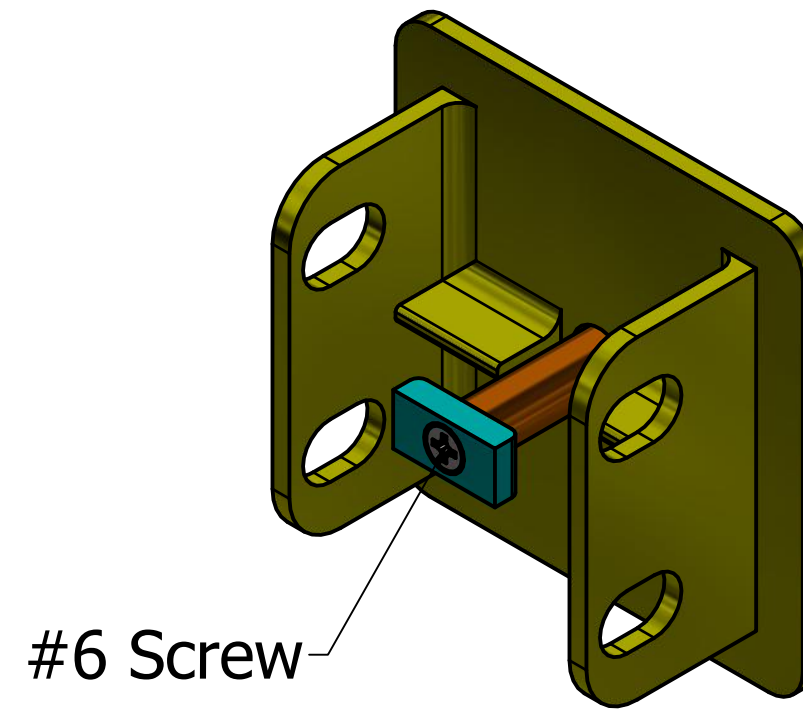
Stop



Knob

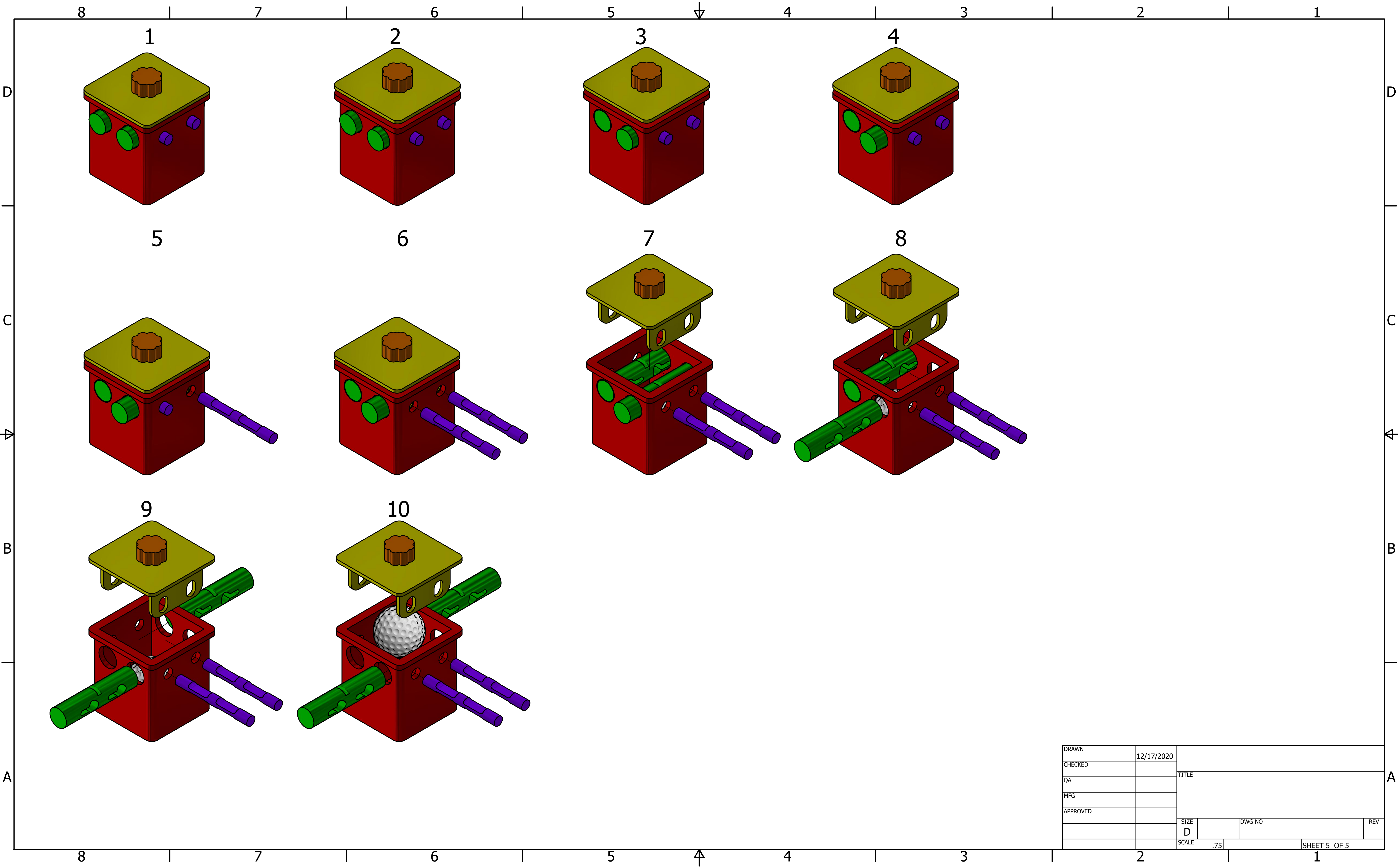


Lid Assy



DRAWN	12/17/2020			
CHECKED		TITLE		
QA				
MFG				
APPROVED				
		SIZE	DWG NO	REV
		D		
		SCALE	SHEET 4 OF 5	
		1		

8 7 6 5 4 3 2 1



DRAWN	12/17/2020			
CHECKED		TITLE		
QA				
MFG				
APPROVED				
		SIZE	DWG NO	REV
		SCALE	.75	SHEET 5 OF 5