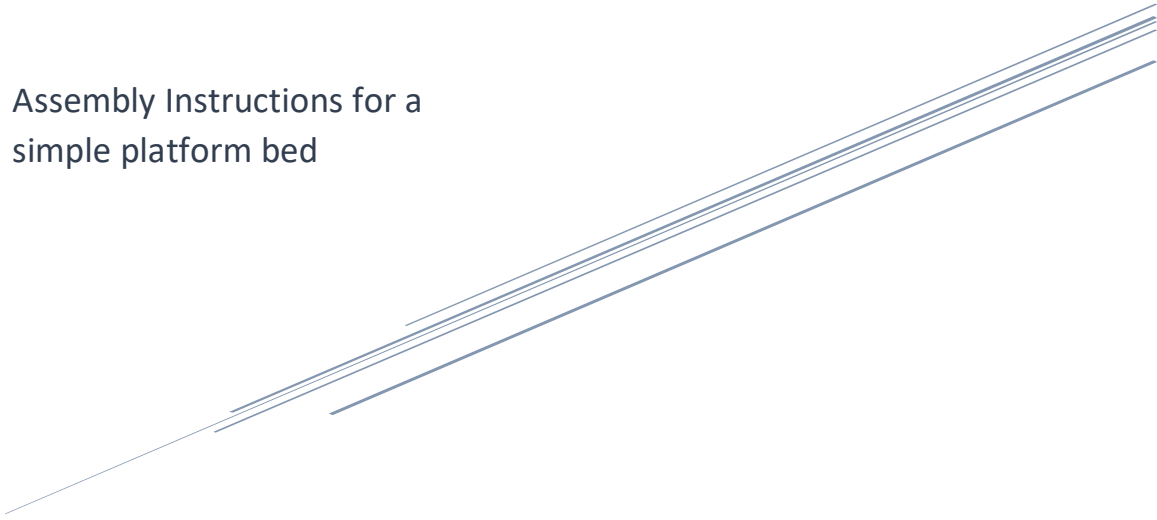


# QUEEN PLATFORM BED – ASSEMBLY

Assembly Instructions for a  
simple platform bed



## Assembly Instructions

These bed frame assembly instructions are for the completed bed frame described earlier. This set of instructions will allow you to assemble a completed platform bed frame for a queen size mattress. The final dimensions are 60" X 80" when fully assembled.

1. Find the head and foot boards first. See figure 1. There are two of these assemblies. Bolts should be pre-assembled into the holes on the legs. Remove the bolts, nuts and washers and set aside the hardware. One head/foot board is labeled with #1 and #4 on the right and left side while the other is labeled with #2 and #3.

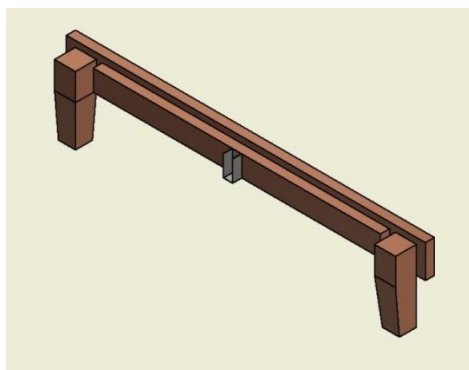


Figure 1. Head/Foot Board

2. Find the two side boards. Position the two sides so that the painted side is up. There are small numbers on the side boards that match the numbers on the head/foot boards. Arrange so the numbers match. #1 with #1, #2 with #2, etc...

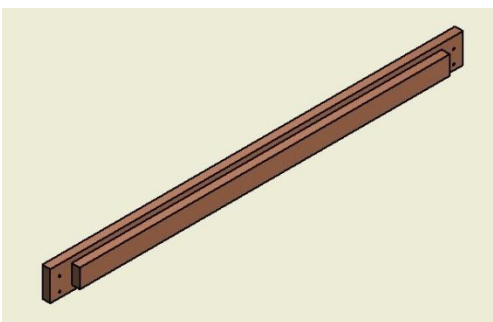


Figure 2. Side Board

3. Position the side boards so that the bolts can be inserted through the side rails and into the head/foot board legs. Use washers on the bolt head side as well as under the nut against the leg. The use of washers will evenly distribute the clamping loads.

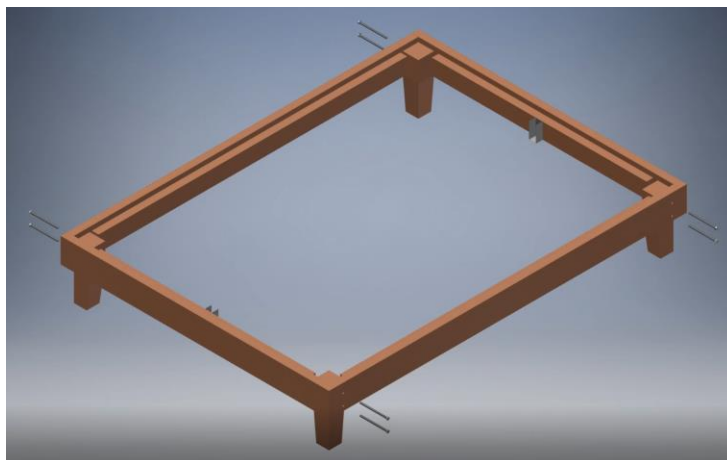


Figure 3 – Assembled Bed Frame Side

4. Position the center support in the metal support brackets. The board is numbered #5 & #6. The head/foot board is also labeled with matching #5, #6. Make sure to match the numbers (5 to 5 and 6 to 6) for ease of assembly. No screws are required to hold this board. It only sits in the metal frame pockets.

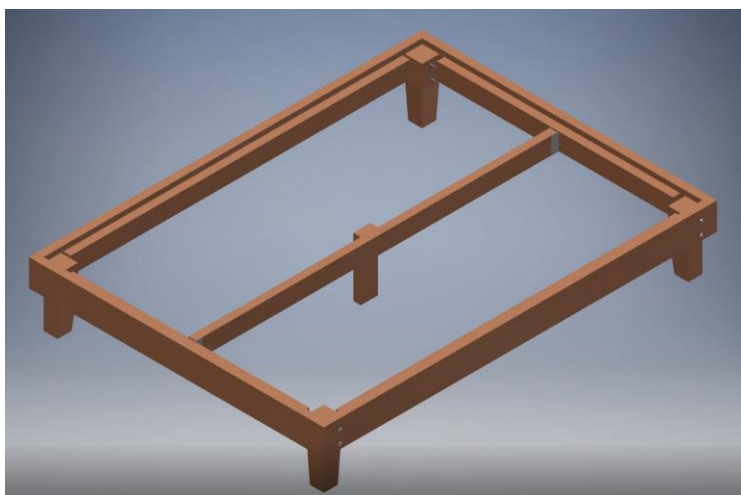


Figure 4. Outer Frame plus center support

5. Find the four screws on top of each leg. Remove the screws and set aside. Unroll the slats on top of the bed. Secure one end of the slat boards to the legs with the screws removed earlier. Do one end first and stretch the slats with webbing across the frame and secure the final slat to the other side legs. Intermediate slats do not need to be secured to the frame sides.

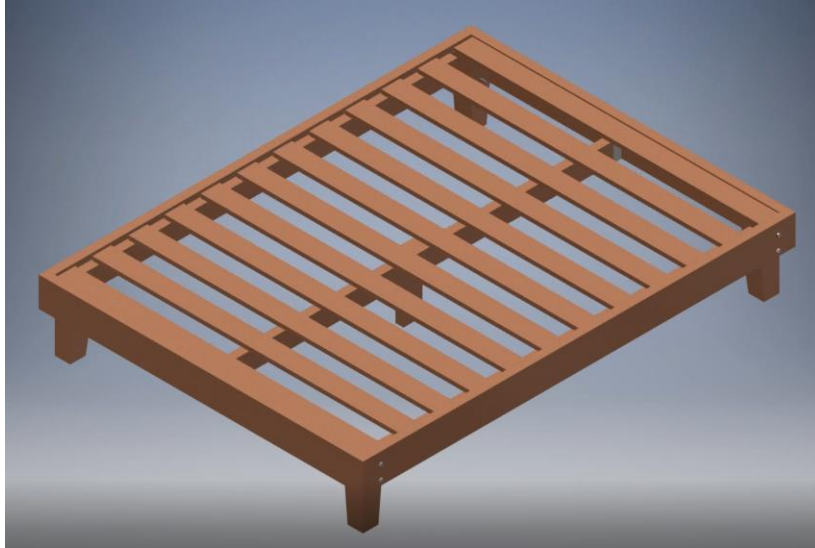


Figure 5. Slats Installation and Complete Bed Frame

Install a queen mattress on top of the frame. Congratulations you have assembled the queen size platform bed.