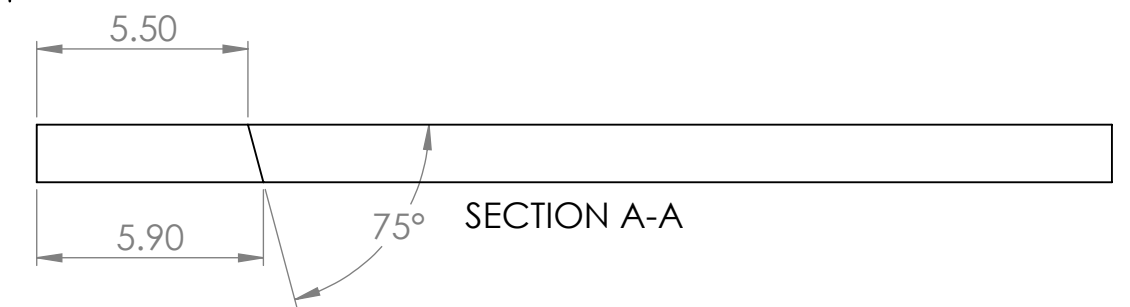
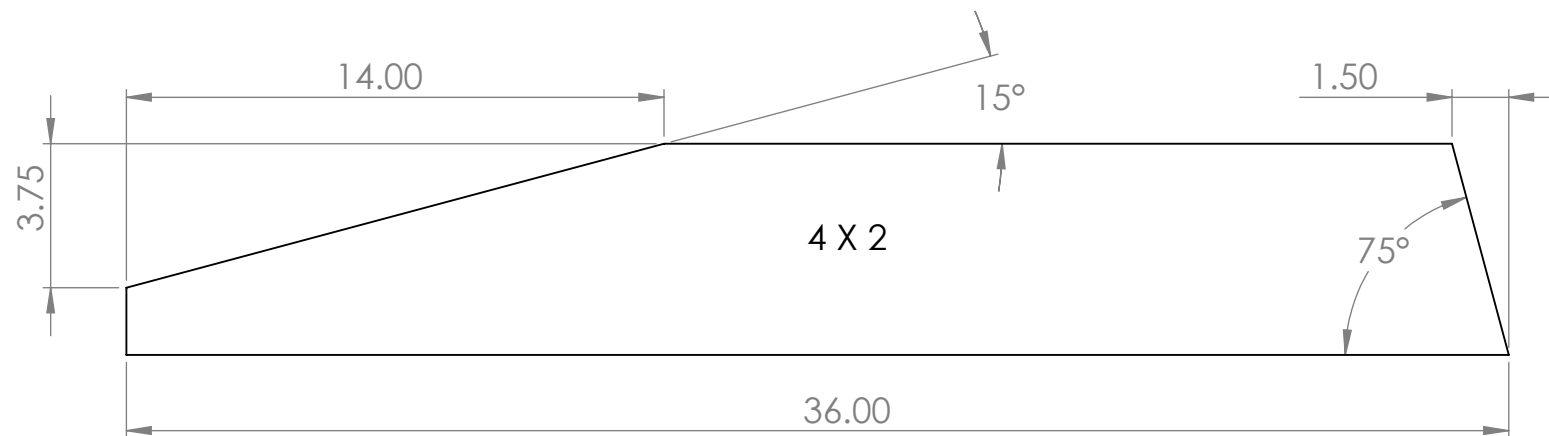
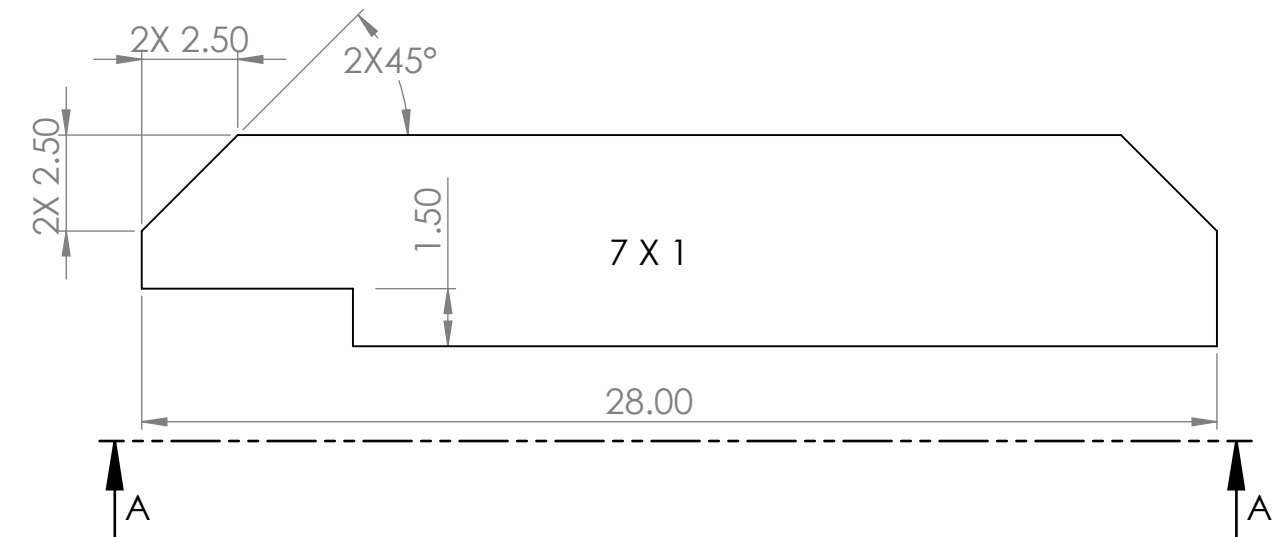
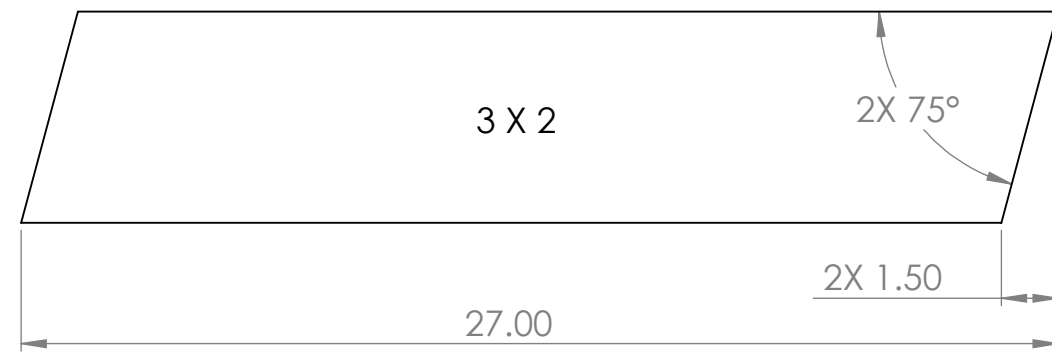
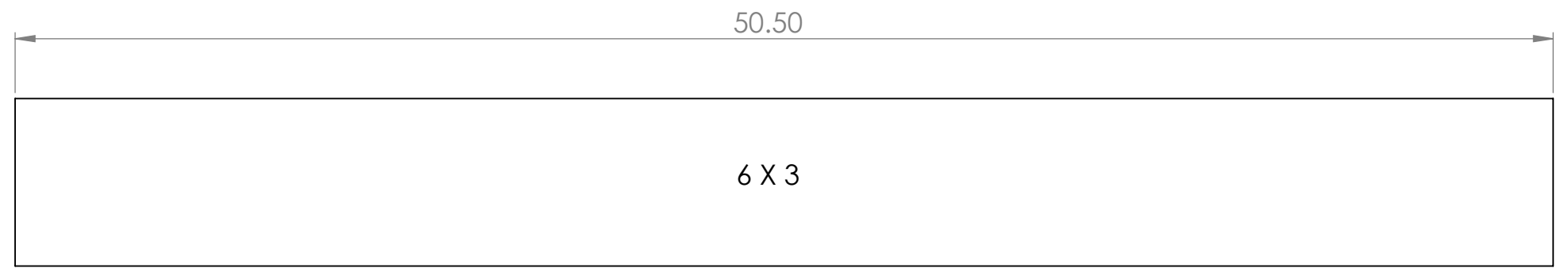
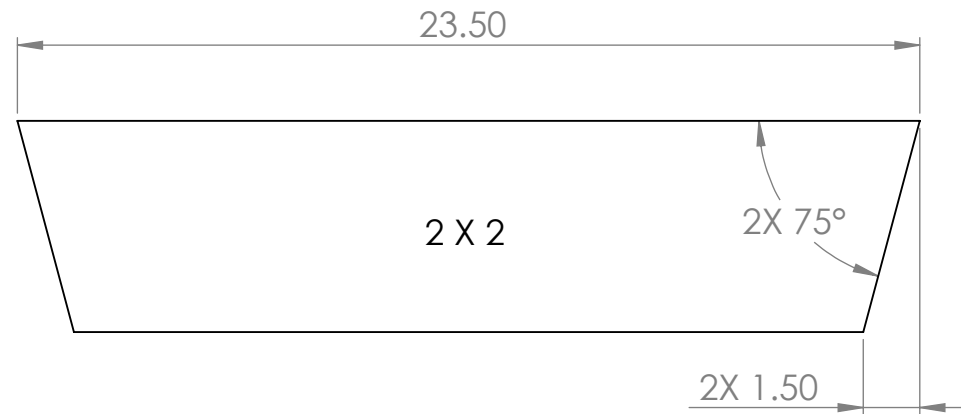
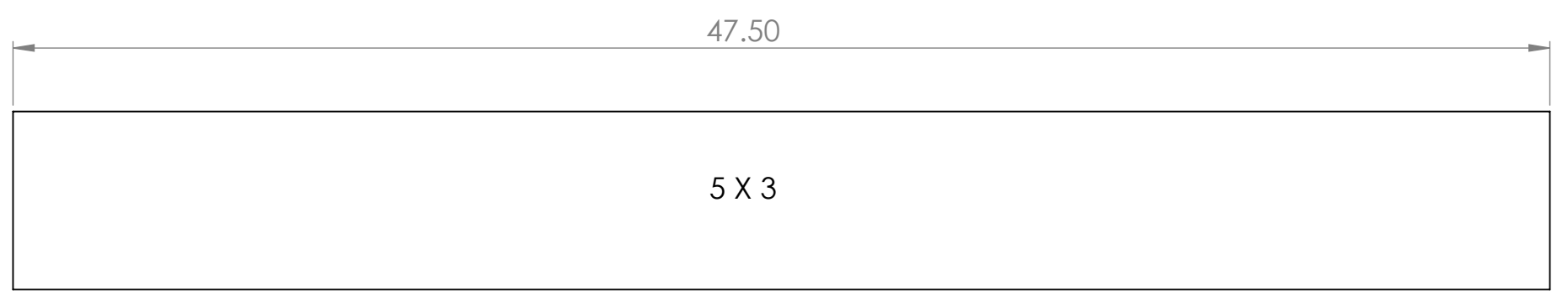
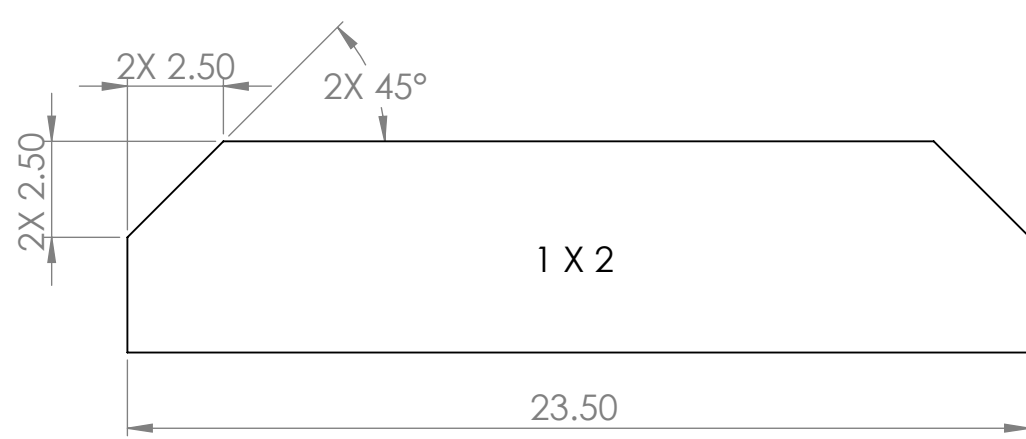


ALL DIMENSIONS IN INCHES

DESIGN BY: smuengr08
[instructables.com/member/smuengr08/](https://www.instructables.com/member/smuengr08/)



A SECOND #7 NEEDS TO BE MADE THAT IS A MIRROR IMAGE OF THE ONE SHOWN

ALL DIMENSIONS IN INCHES

DESIGN BY: smuengr08
[instructables.com/member/smuengr08/](https://www.instructables.com/member/smuengr08/)