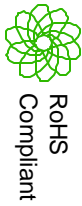


multicomp



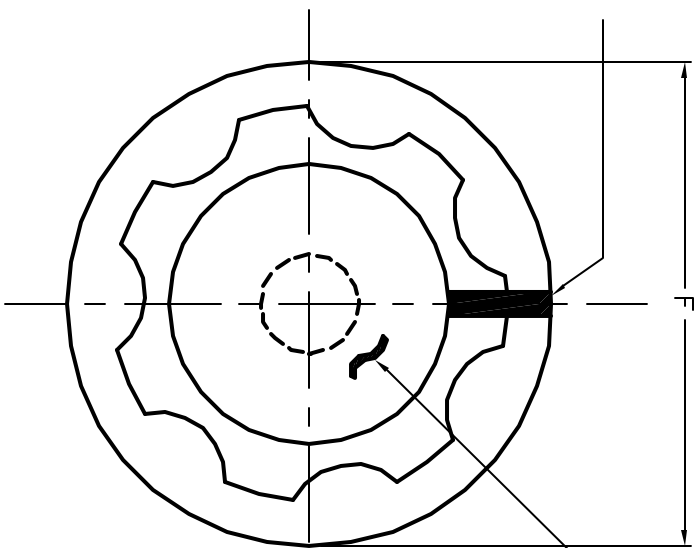
ALL RIGHTS RESERVED. NO PORTION OF THIS PUBLICATION, WHETHER IN WHOLE OR IN PART CAN BE REPRODUCED WITHOUT THE EXPRESS WRITTEN CONSENT OF SPC TECHNOLOGY.

SPC-F006.DWG

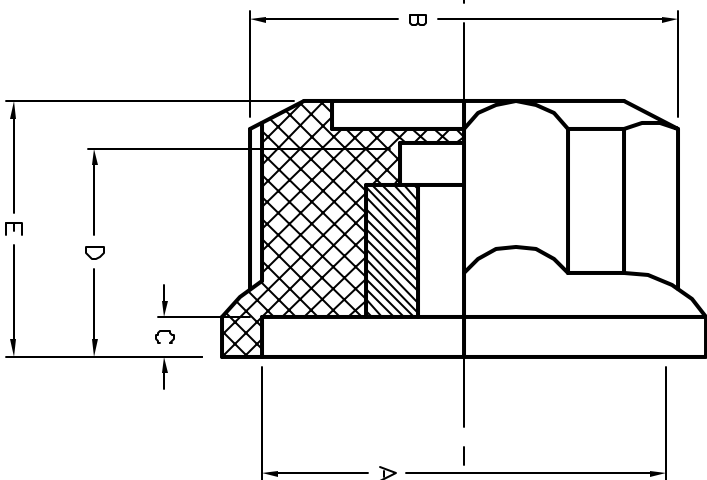
REVISIONS			DWG. NO.	SPC-F006	Effective 7/8/02	DCP No. 1308		
DCP #	REV	DESCRIPTION	DRAWN	DATE	CHECKD	DATE	APPRVD	DATE
1933	A	RELEASED	EO	09/07/06	JN	03/24/08	JN	03/24/08



WHITE INDICATOR LINE



SPUN ALUMINUM INLAY



Multicomp P/N	A	B	C	D	E	F
MC21054	ø13.8	16.0	2.0	10.0	12.0	20.0
MC21055	ø22.0	24.0	3.0	13.7	16.0	27.0

SPECIFICATIONS:

1. MATERIAL: PLASTIC
2. SHAFT HOLE: 18 TEETH, PUSH ON 1/4" SHAFT

DISCLAIMER:

ALL STATEMENTS AND TECHNICAL INFORMATION CONTAINED HEREIN ARE BASED UPON INFORMATION AND/OR TESTS WE BELIEVE TO BE ACCURATE AND RELIABLE. SINCE CONDITIONS OF USE ARE BEYOND OUR CONTROL, THE USER SHALL DETERMINE THE SUITABILITY OF THE PRODUCT FOR THE INTENDED USE AND ASSUME ALL RISK AND LIABILITY WHATSOEVER IN CONNECTION THEREWITH.

TOLERANCES:

UNLESS OTHERWISE SPECIFIED, DIMENSIONS ARE FOR REFERENCE PURPOSES ONLY.

DRAWN BY:	DATE:
EKLAS ODISH	09/07/06
CHECKED BY:	DATE:
Jason Nash	03/24/08
APPROVED BY:	DATE:
Jason Nash	03/24/08

DRAWING TITLE:		ELECTRONIC FILE	
Dial Type Knobs, Knurled Sides, w/Skirt, Top/Side Indicator Line, Push On		TA-788.DWG	
SIZE	DWG. NO.	REV	
A	TA-788	A	
SCALE:	NTS	U.O.M.:	MILLIMETERS
SHEET: 1		OF 1	