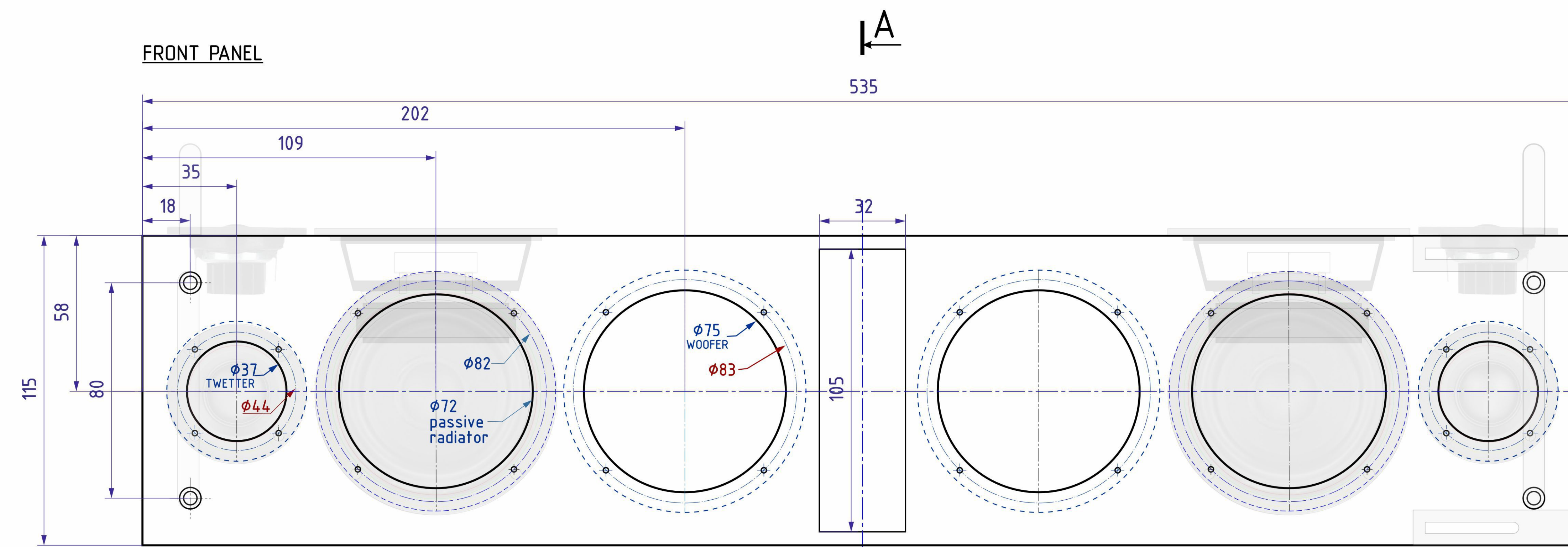
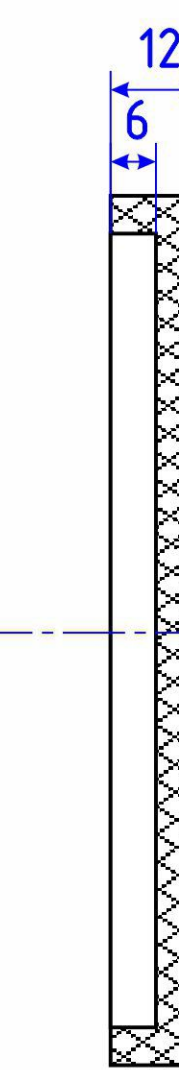


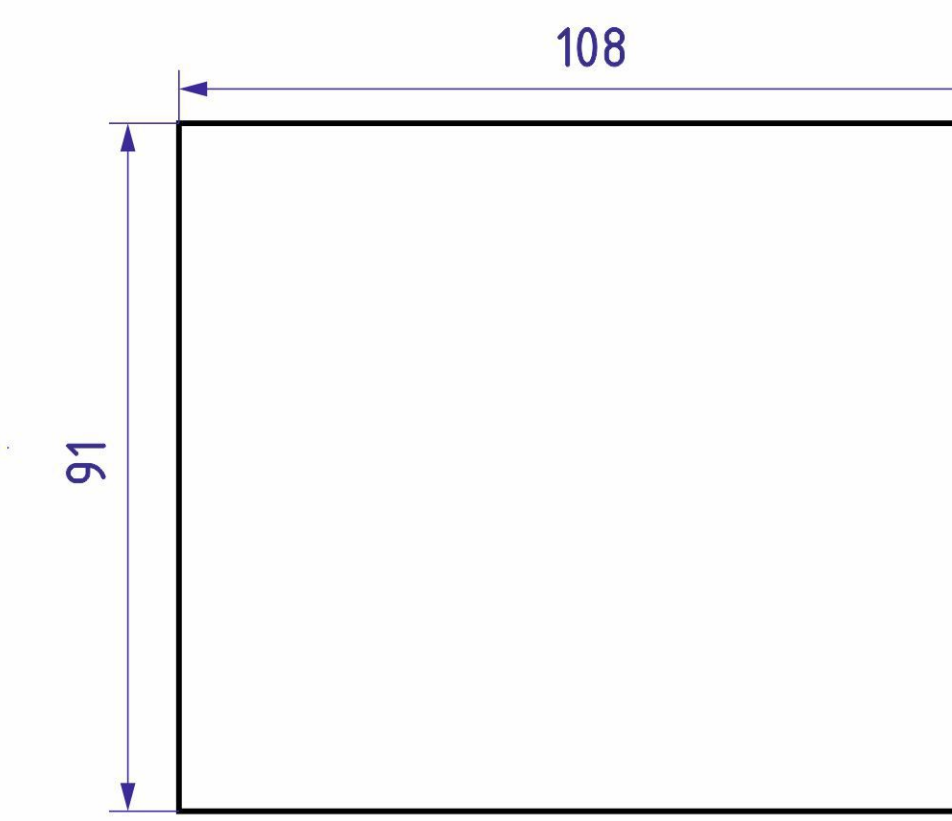
DIY Surround Sound Bluetooth Speaker Enclosure



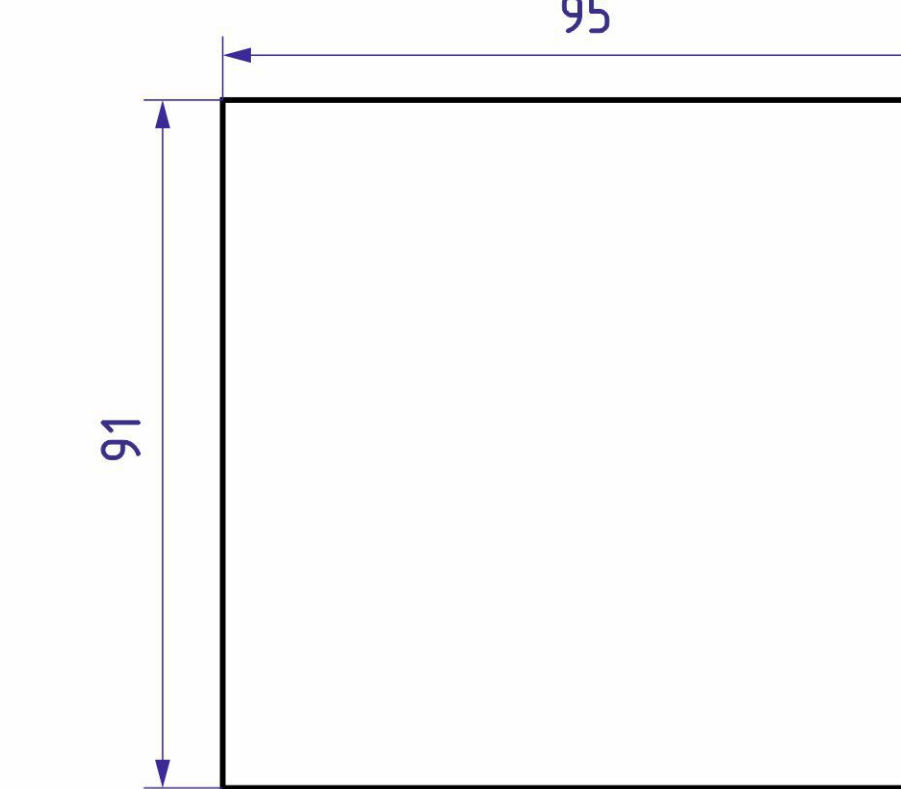
A-A



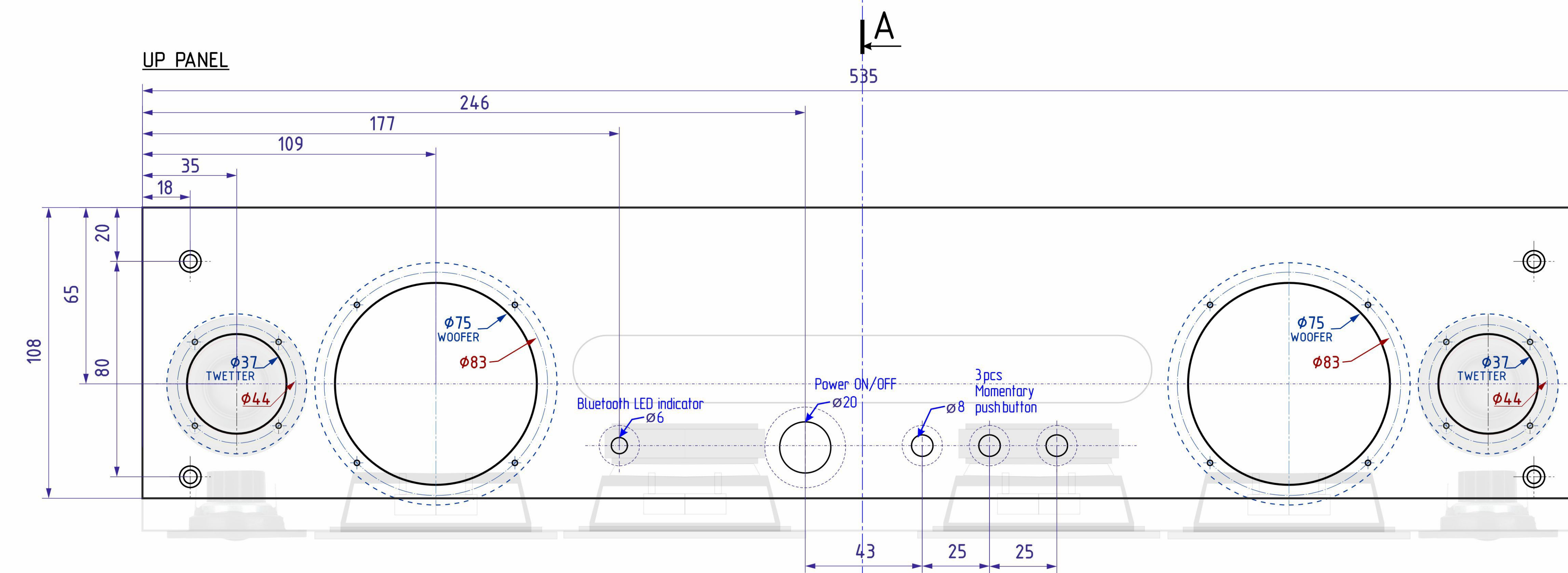
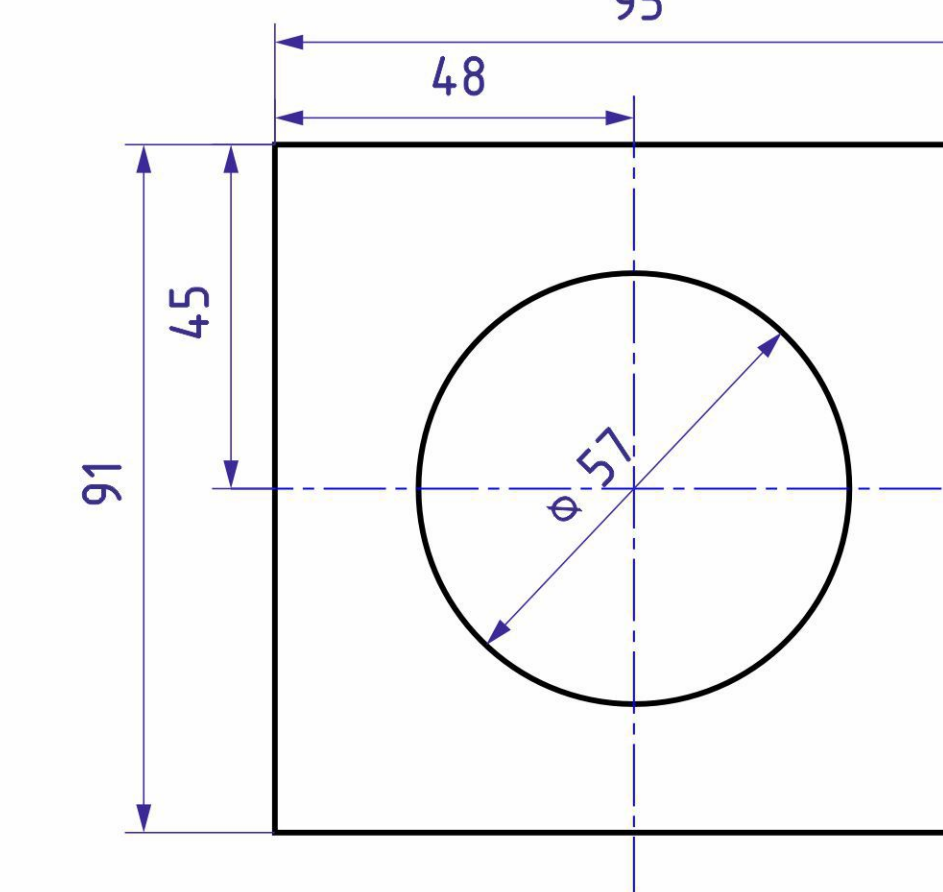
LEFT-RIGHT



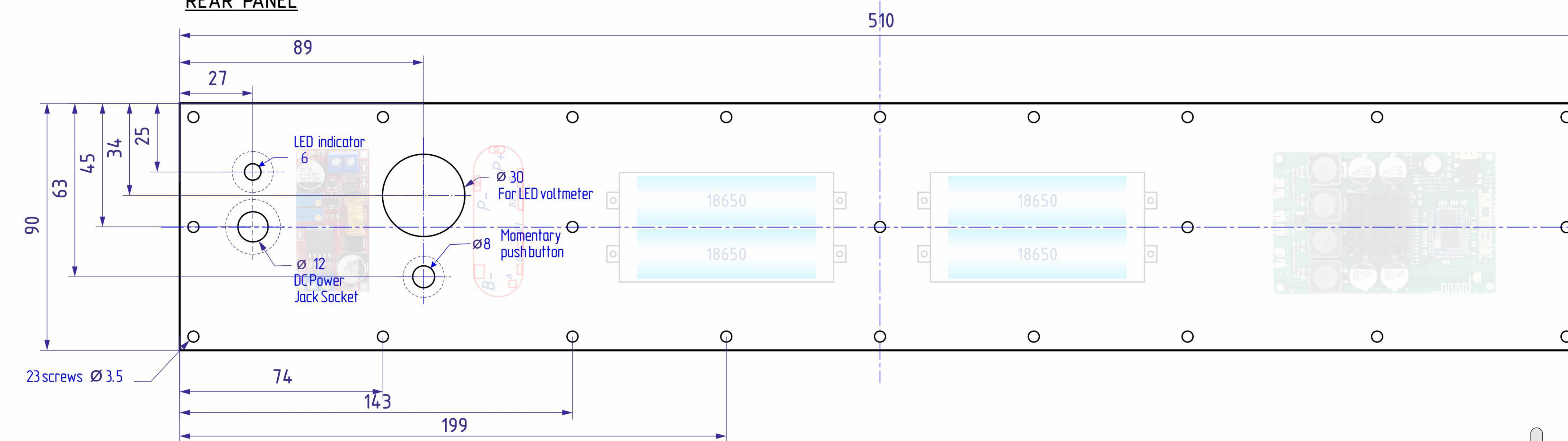
CENTRAL PARTITION



REINFORCING RIB 2pcs



REAR PANEL



Material: 12mm (0.47 inch) MDF.

The button and LED indicator holes feature oversized countersinks to accommodate nuts on the interior surface.

The bottom panel is the same size as the top panel.

All dimensions are in millimeters.

The assembly drawing is not provided.

Step-by-step assembly instructions are available on the YouTube channel @DiyBoombboxLab



DIY Surround Sound Bluetooth Speaker Enclosure 03.01.2025

© DIY Boombbox Lab
<https://www.youtube.com/@DiyBoombboxLab>

DIY BOOMBOX LAB