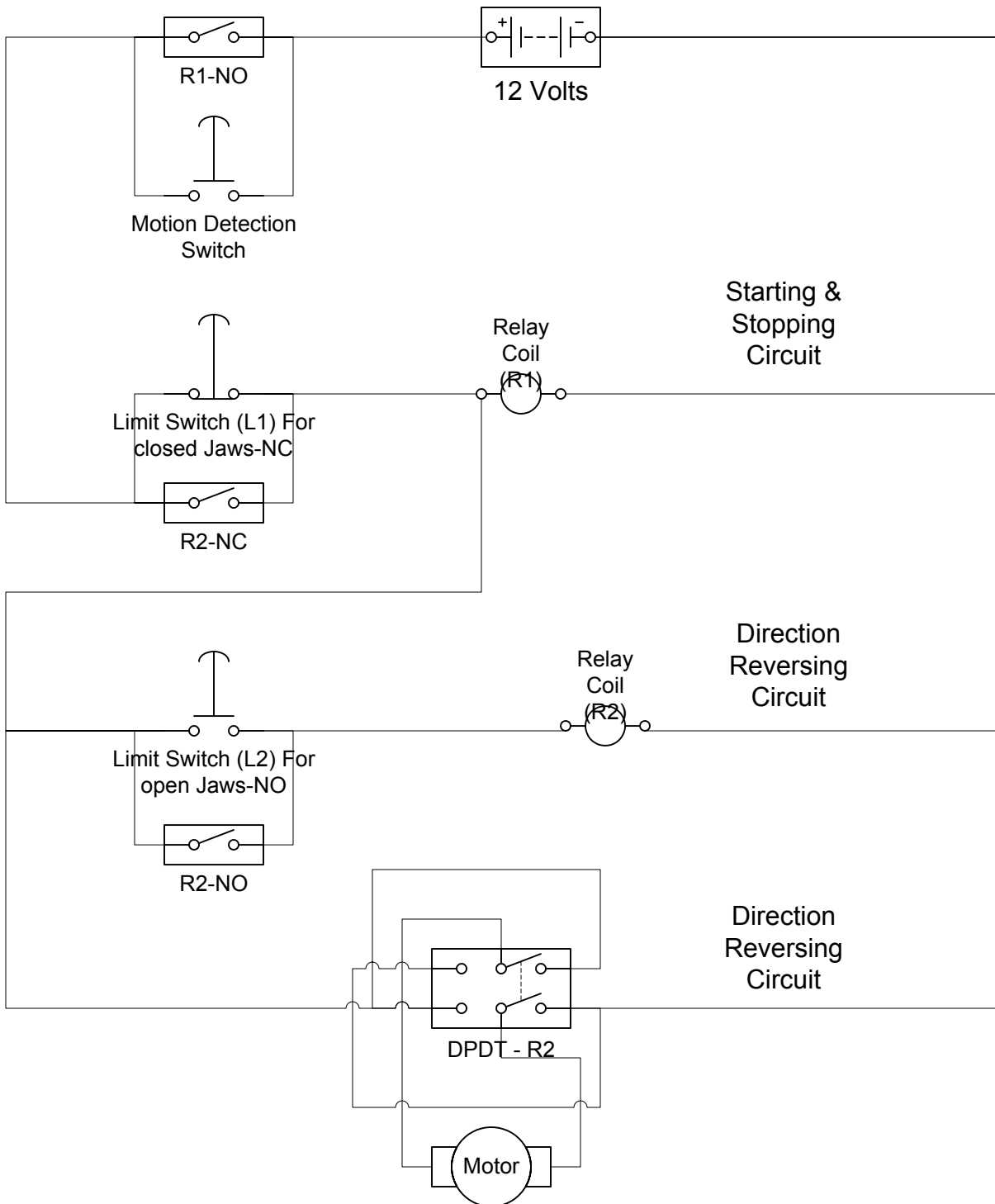


Project Alligator



Project Alligator (October 2003)

Designed by: Ashish Kumar

Description:

Motion Sensor starts the motor to open alligator's top jaw. When the jaw opens it trips limit switch (L2) to reverse the motor. When the jaw is completely closed it trips limit switch L1 to stop the motor.