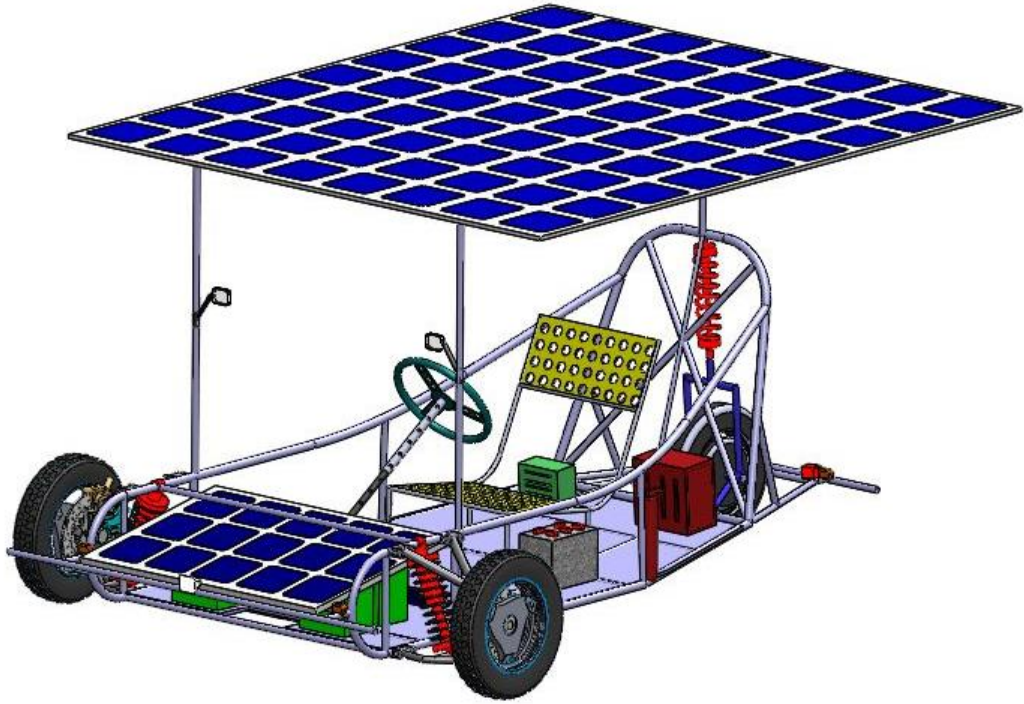
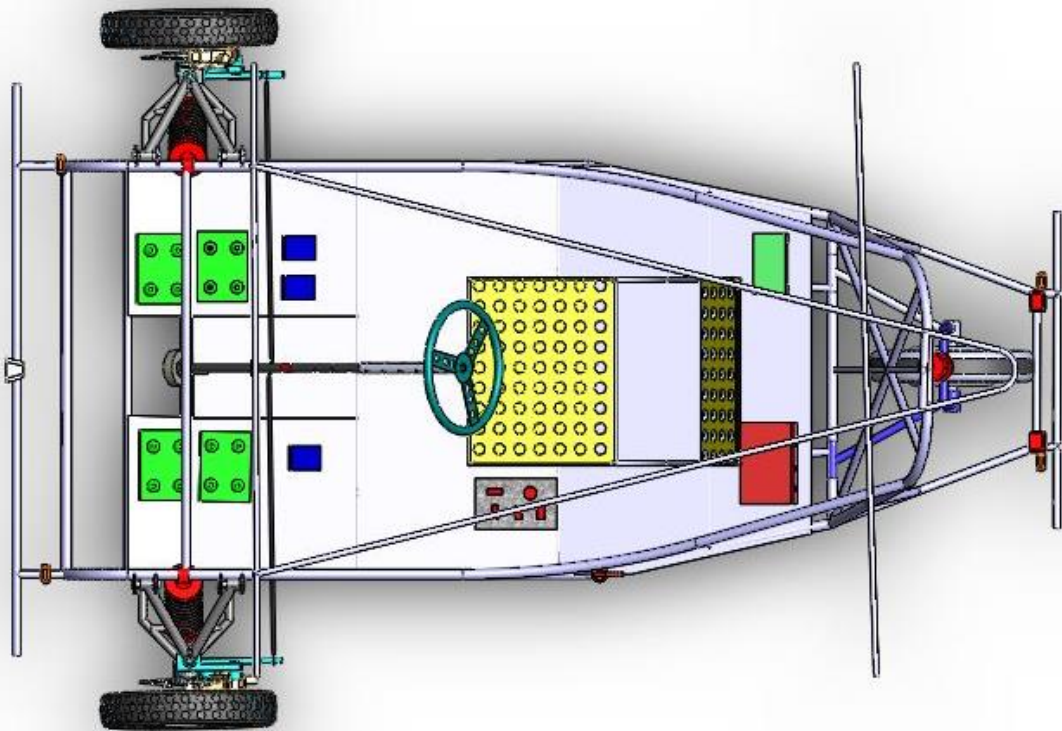


CAD DESIGN

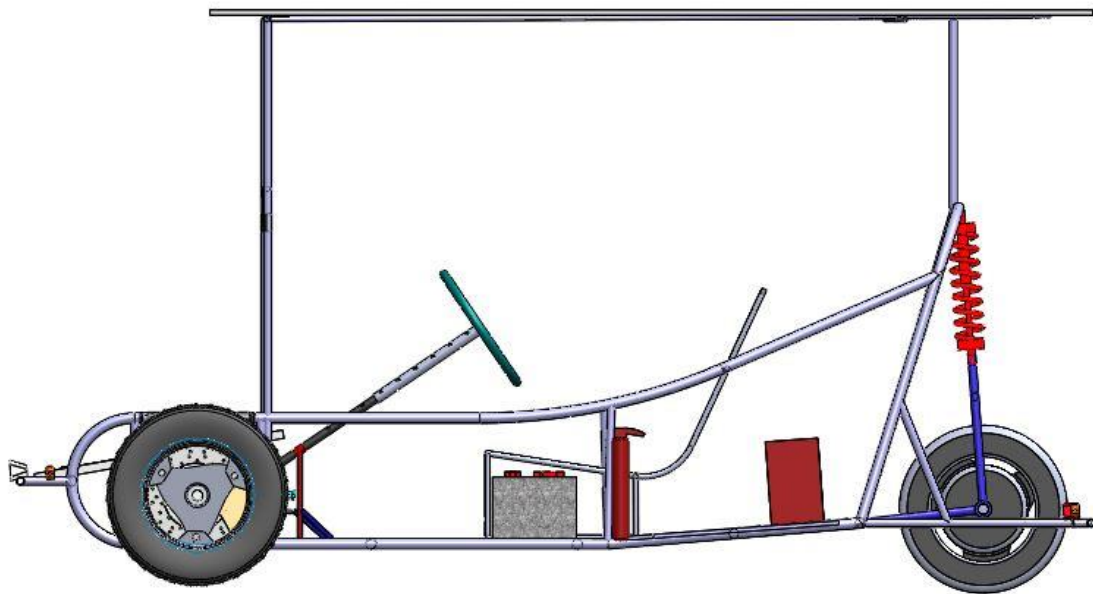
3D VIEW



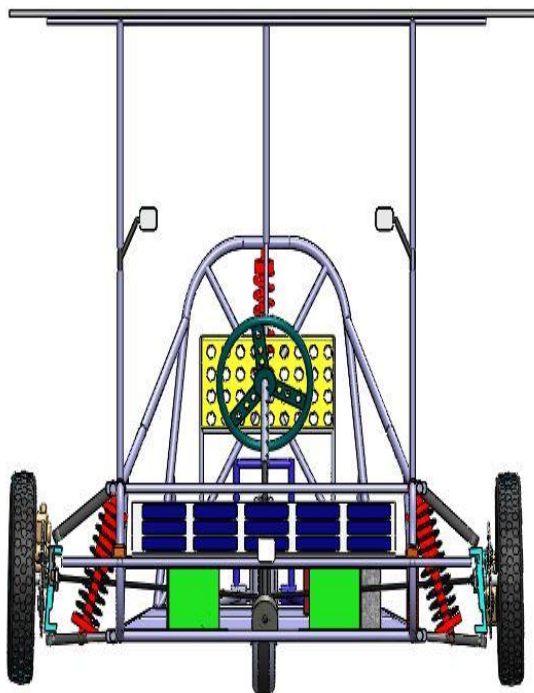
TOP VIEW WITHOUT SOLAR PANEL



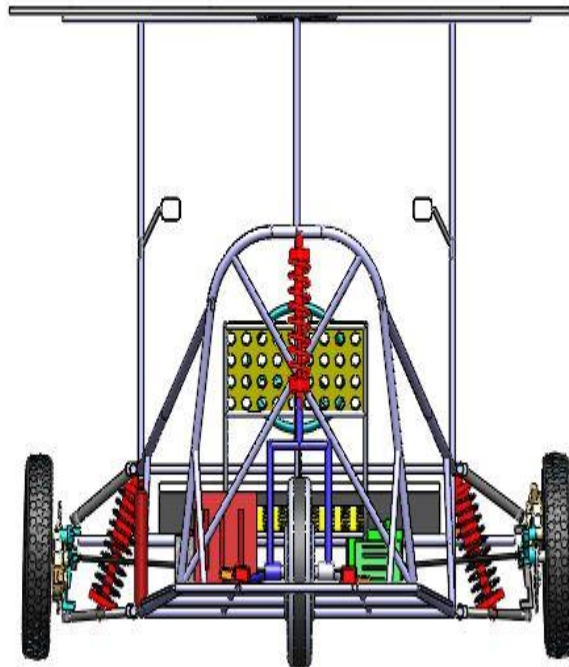
SIDE VIEW



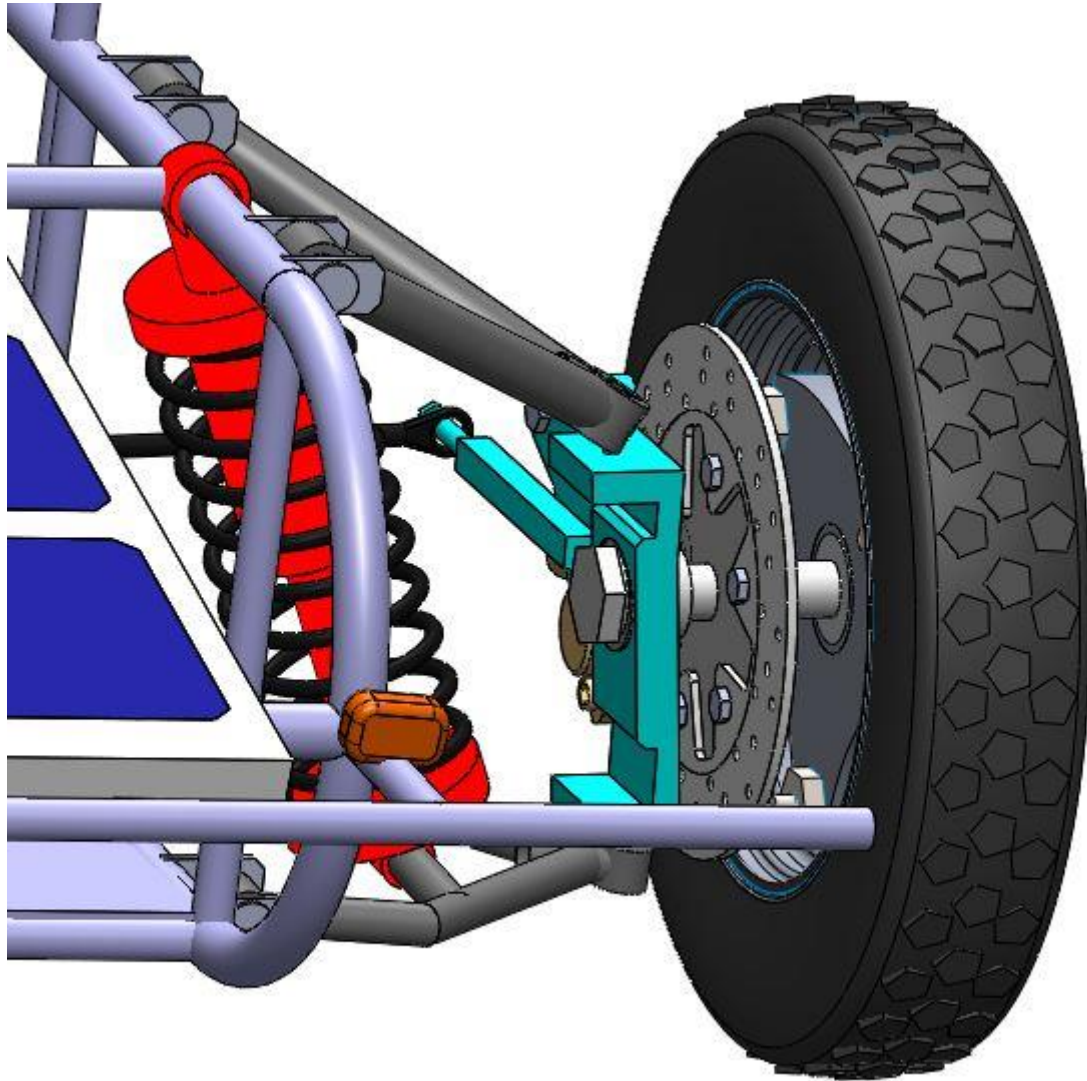
FRONT VIEW



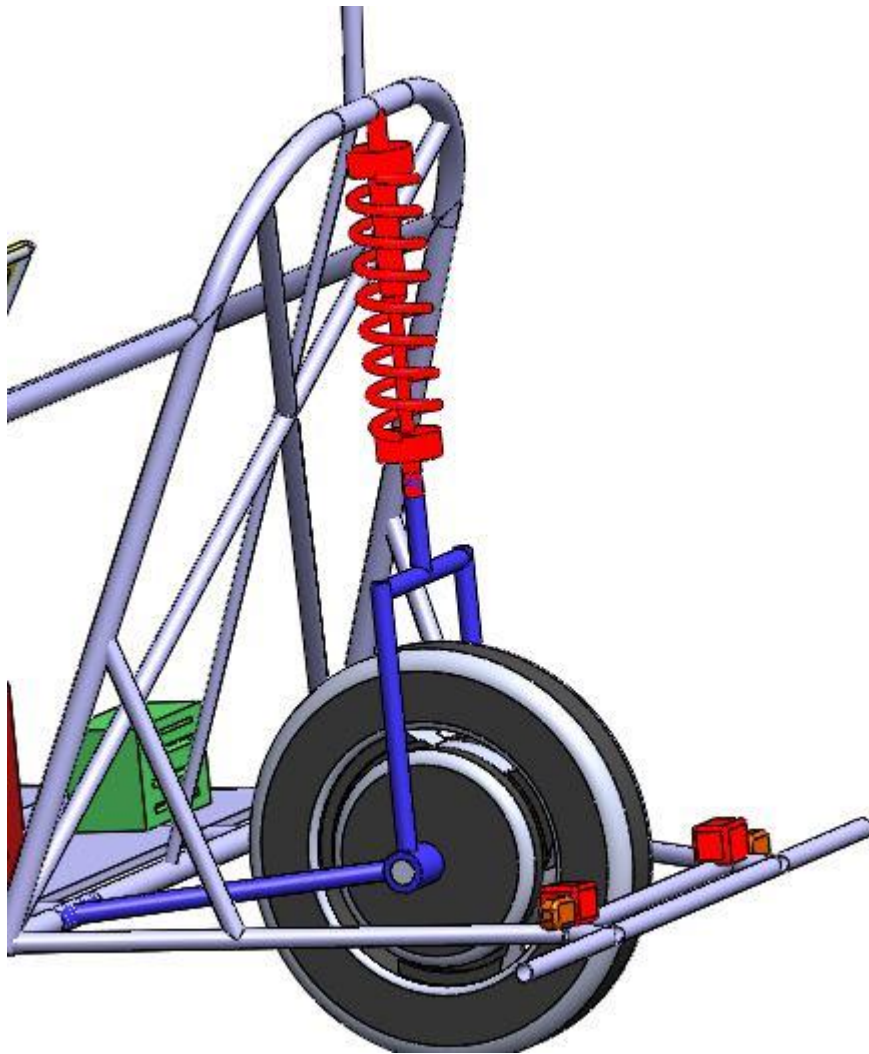
REAR VIEW



FRONT WHEEL AND MOUNT



REAR WHEEL AND MOUNT



DISC BRAKE AND CALIPER

