

Designed by Xander Bremer
in conjunction with the Patina Project
XanderBremer.com/CAF
XanderBremer.com/PatinaProject

D.I.Y. CAF

CAF is made entirely from one 8ft x 4ft piece of 1/2" thick plywood. The top and bottom pieces can be made from 3/4", if preferred, with all measurements and instructions remaining the same.

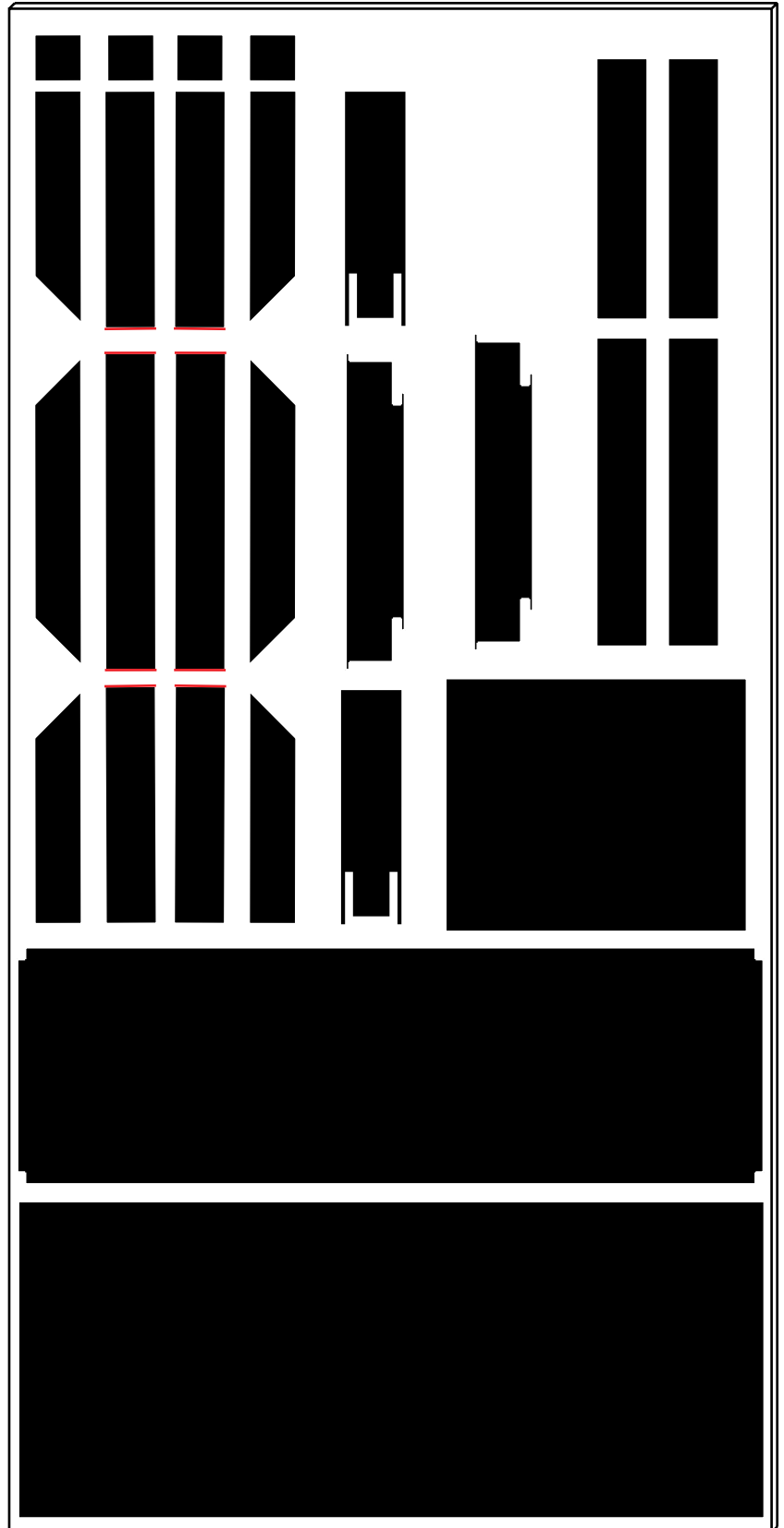
The overall layout is presented here, with specific photo instructions to follow, along with more detailed part drawings.

The first step is to cut out all parts to their out dimensions, and then one by one add the necessary cutouts, miters, dados, and bevels that end up making it all work.

Start by cutting out the large top and bottom panels which are shown at the bottom of the 4x8, and then rip the remaining section into the widths of the pieces to be used for the leg, in the upper left.

The layout is optimized for the grain pattern on the final product, to make parts and panels bookmatched. This design of cutting the pieces will leave a sleek continuity between the components.

Note: plywood often comes slightly thinner than the nominal dimension, in which case dimensions need to be trimmed accordingly (only 1/16" or 1/32").



Tabletop

47" x 20"

The underside has 1/2" wide dado channels 1/4" deep. The long one is centered across the width (10" from the edges), and the shorter vertical channels are centered 14.75" from the edges of the table.

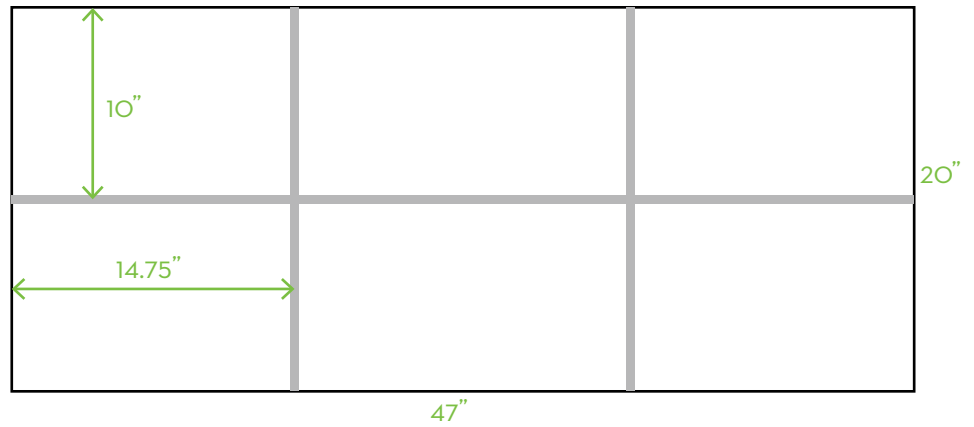


Table Bottom

47" x 15"

This has the same dado channels as the tabletop, as well as 0.8" x 0.5" cutouts in the corners where the legs will slide into place.

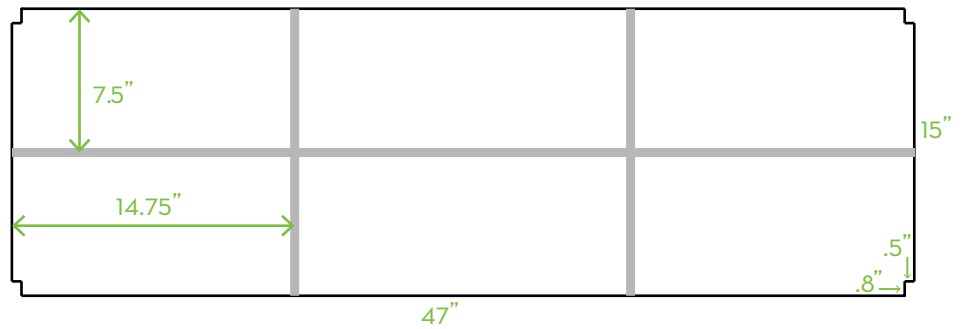


Table Legs

14.75" x 3"

There are four legs in the design, each cut to align to match the grain of other pieces. Cut out a rectangle, then miter the corner at 45 degrees.

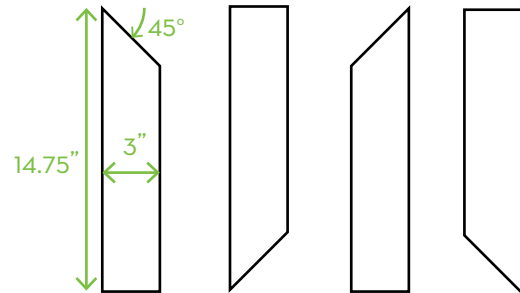
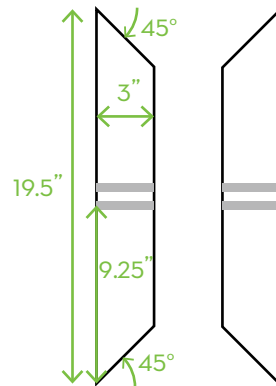


Table Apron

19.75" x 3"

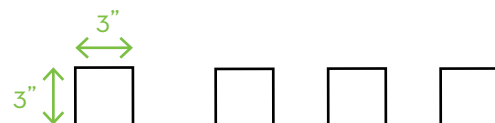
The table aprons connect the two legs on each side. Cut rectangular and miter the angles. The grey stripes are 1/2" wide, 1/4" deep dado slots, centered 9.25" from the edges of the rectangle.



Connector Tabs

3" x 3"

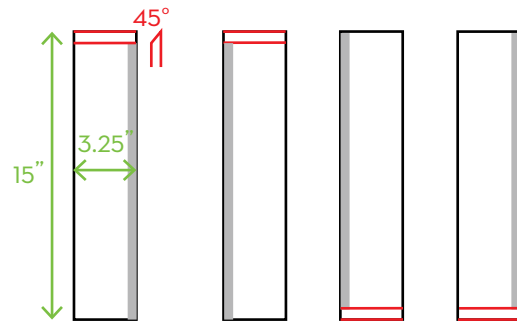
These little pieces help align the legs with the table.



Leg Sides

15" x 3.25"

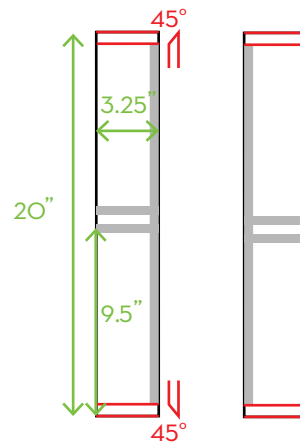
These panels are the sides of the legs, which become the sides of the end drawers when CAF is collapsed. Miter the red edge at 45 degrees (seen from the side). The grey band is a 1/2" wide, 1/4" deep dado cut along the edge.



Leg Tops

20" x 3.25"

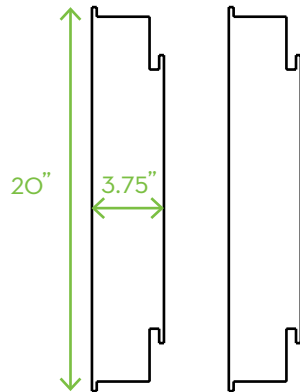
The top panels complete the legs. They are mitered at each end like the leg sides, and have 1/2" wide and 1/4" deep dados 9.5" from the bottom and top edges, as well as a dado along one long edge.



Central Leg Holders

20" x 3.75"

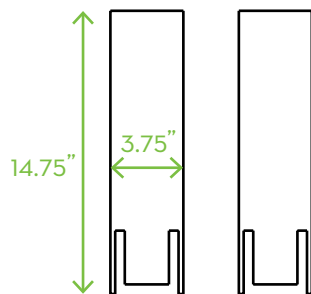
These pieces hold the legs in place when they are set for flat pack. First cut the piece to size, then paste on a full-size print of the detailed cuts (see end of document) and use a band saw and chisel to cut out the details.



Edge Leg Holders

20" x 3.75"

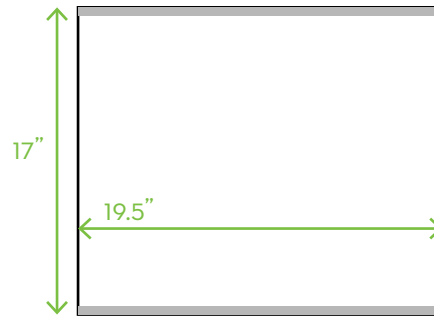
These pieces hold the legs in place as a coffee table. First cut the piece to size, then paste on a full-size print of the detailed cuts (see end of document) and use a band saw and chisel to cut out the details.



Drawer Bottom

19.5" x 17"

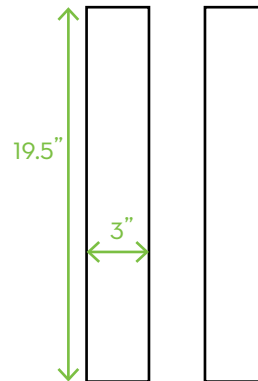
This will be the bottom of the central drawer. The only addition after cutting the outer edges is a 1/2" wide, 1/4" deep dado along the long sides.



Drawer Sides

19.5" x 3"

These pieces will be on the sides of the center drawer.



Drawer Fronts

17" x 3.25"

These will be the outward facing sides of the drawer. Add the usual dados on the bottom and sides to fit the other drawer pieces.

