

# 3D PRINTABLE MODEL

## CARRIAGE-01

EUROREPRAP.EU

03.2015

# ASSEMBLY

### FDM process optimized:

- no print support needed
- small printers: 15x15 cm bed sizes are OK
- optimal for 0.4 mm nozzles
- recommended printing speed: 50 mm/s
- print layer height: 0.2mm (best detail: 0.15mm)

### Assembly optimized:

- no metal parts or additional components needed
- just glue, nail file and 1.75mm filament are used during assembly

### Compatibility:

- this model is a part of "Euroreprap Railroad Collection" which is a system consisting of trains, tracks and other railway objects.
- it also fits together with regular LEGO tracks
- dimensions of completed model: 242x80x120 mm (9.52x3.15x4.72 in)
- you can scale this model to match the track sizes of popular model scales
- approx scaling factors are: for scale "0" - 0.847 (32mm tracks) and for scale "G" - 1.19 (45mm tracks) NOTE: for scale "G" printer bed minimum size is 18x18cm.



EUROREPRAP  
RAILROAD  
COLLECTION



### Availability:

- [www.ponoko.com/showroom/EUROREPRAP-EU](http://www.ponoko.com/showroom/EUROREPRAP-EU)
- for other than PayPal payment forms and discounts please first contact us by email: [contact@euroreprap.eu](mailto:contact@euroreprap.eu)

### E-mail and website

[contact@euroreprap.eu](mailto:contact@euroreprap.eu)  
[www.euroreprap.eu](http://www.euroreprap.eu)

---

3D PRINTABLE  
MODEL

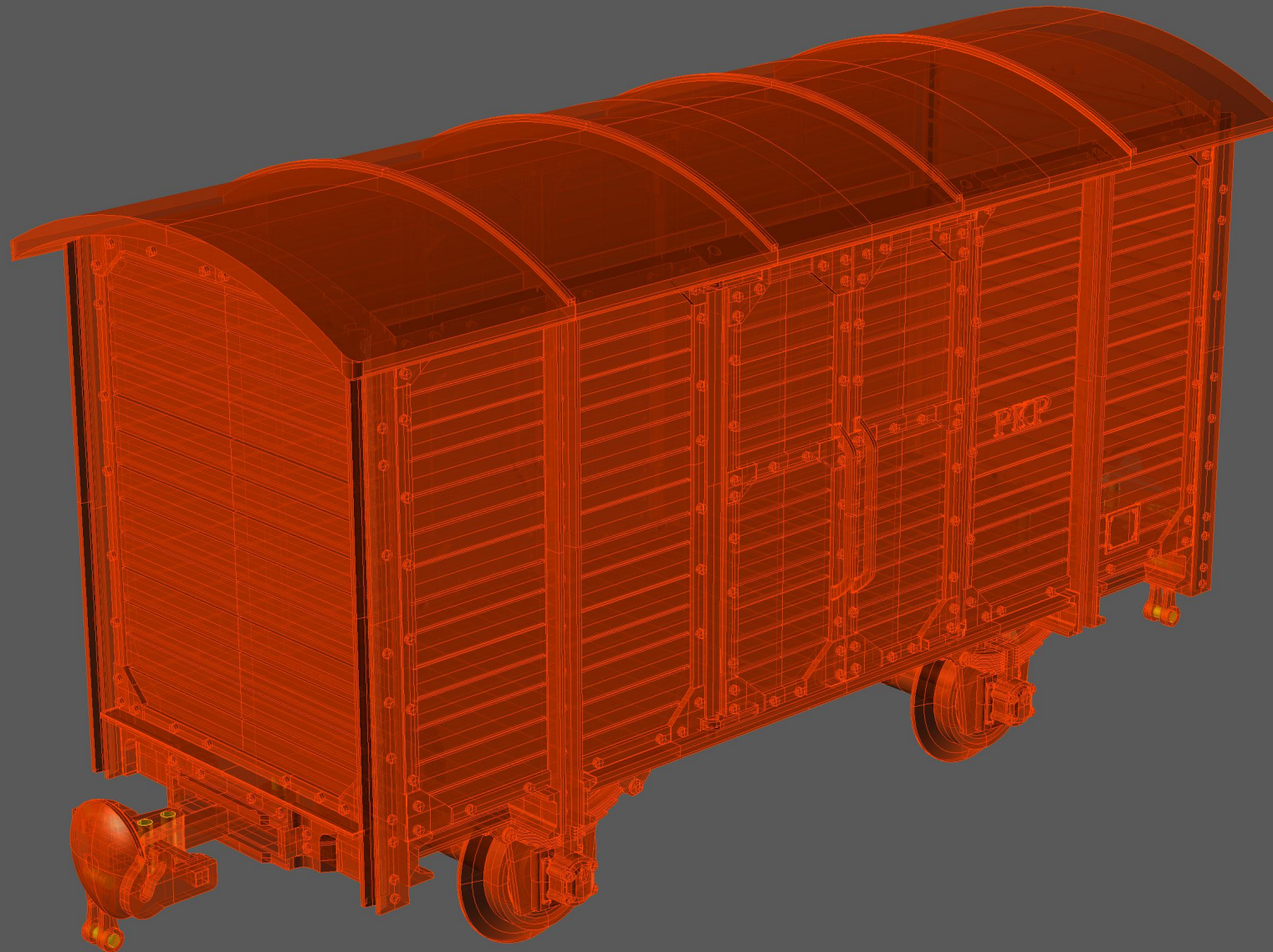
---

CARRIAGE-01

03.2015

EUROREPRAP.EU

---

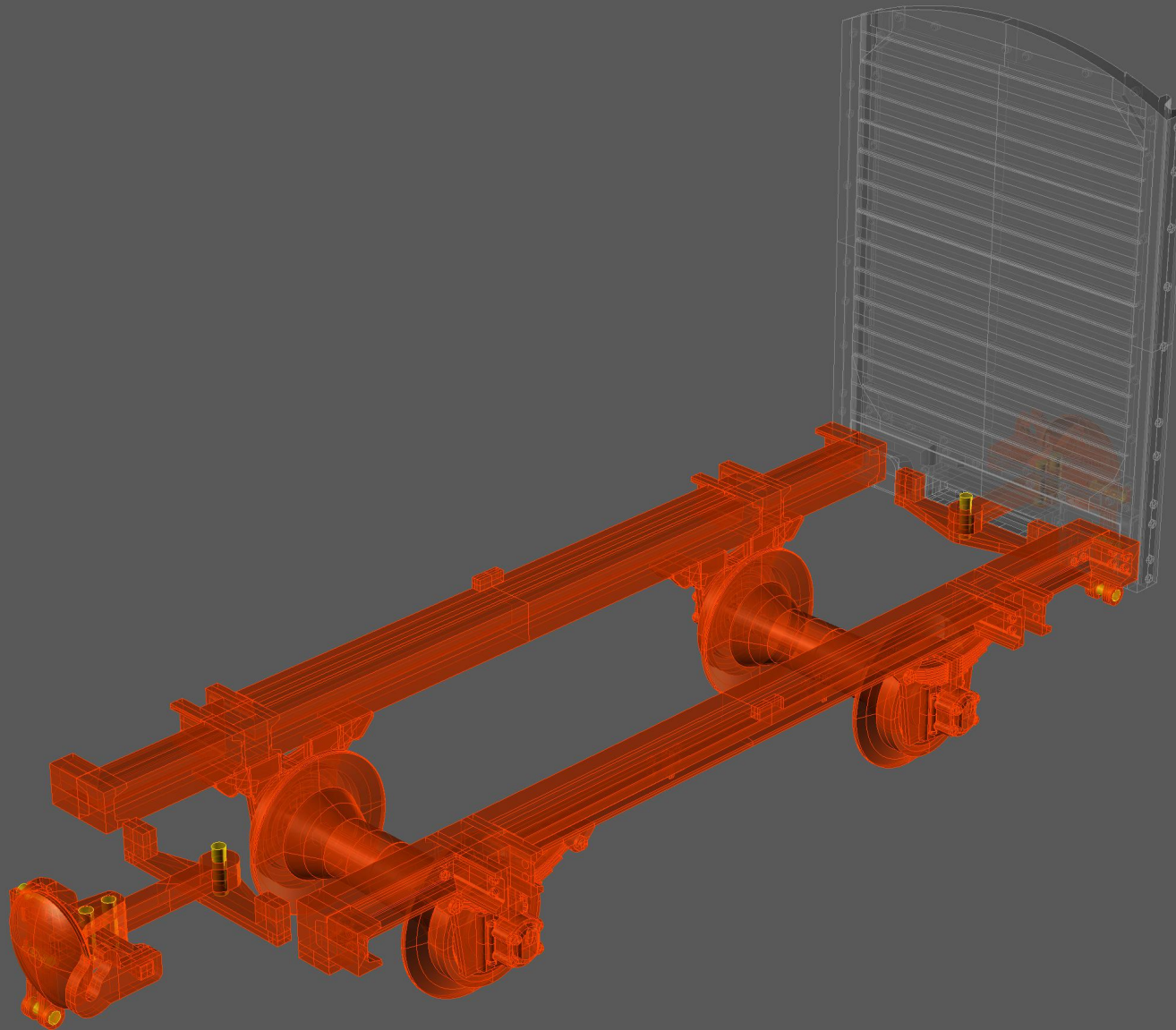


# 3D PRINTABLE MODEL

## CARRIAGE-01

03.2015

EUROREPRAP.EU

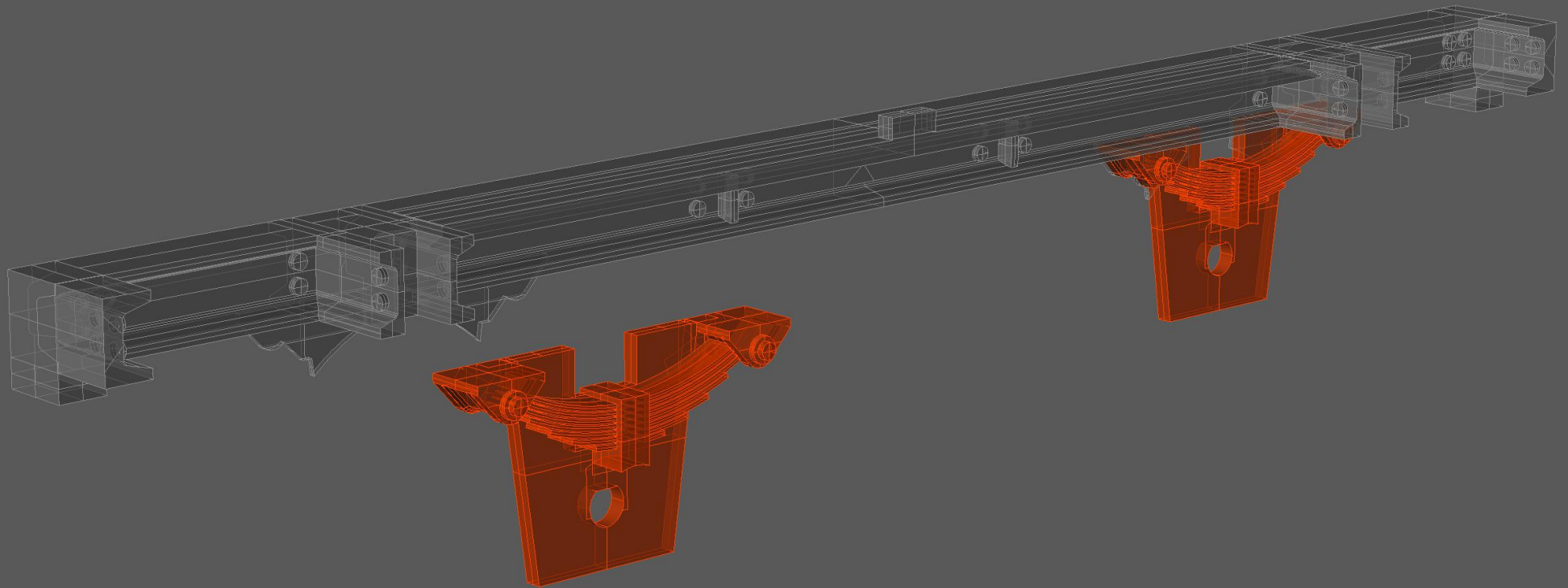


# 3D PRINTABLE MODEL

## CARRIAGE-01

03.2015

EUROREPRAP.EU

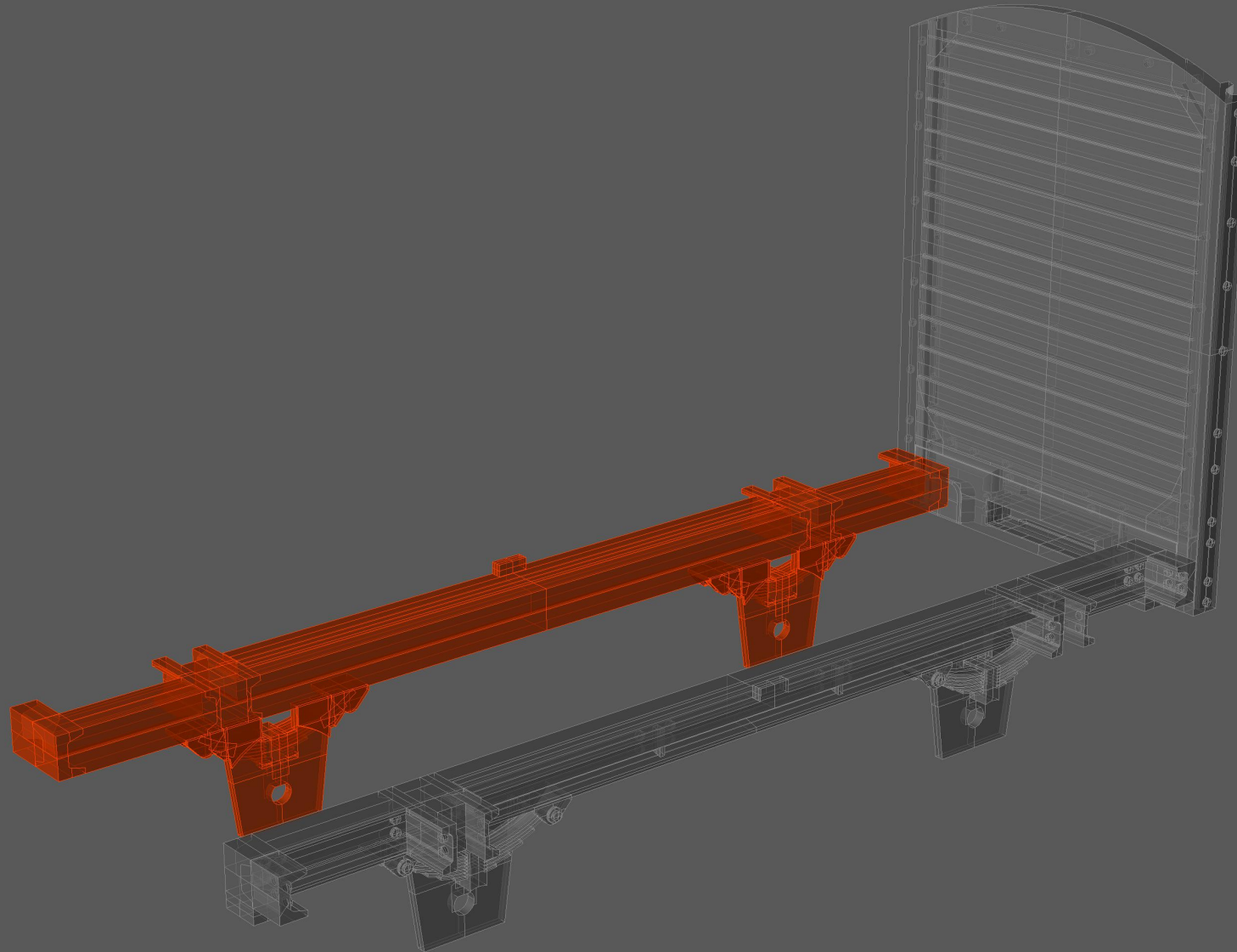


# 3D PRINTABLE MODEL

## CARRIAGE-01

03.2015

EUROREPRAP.EU

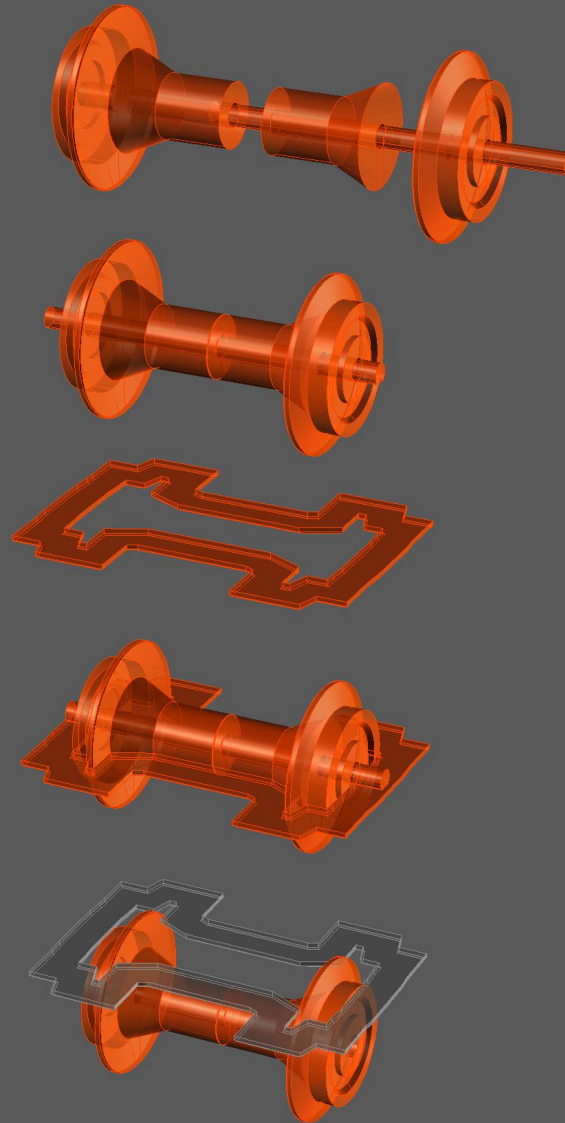


# 3D PRINTABLE MODEL

## CARRIAGE-01

03.2015

EUROREPRAP.EU

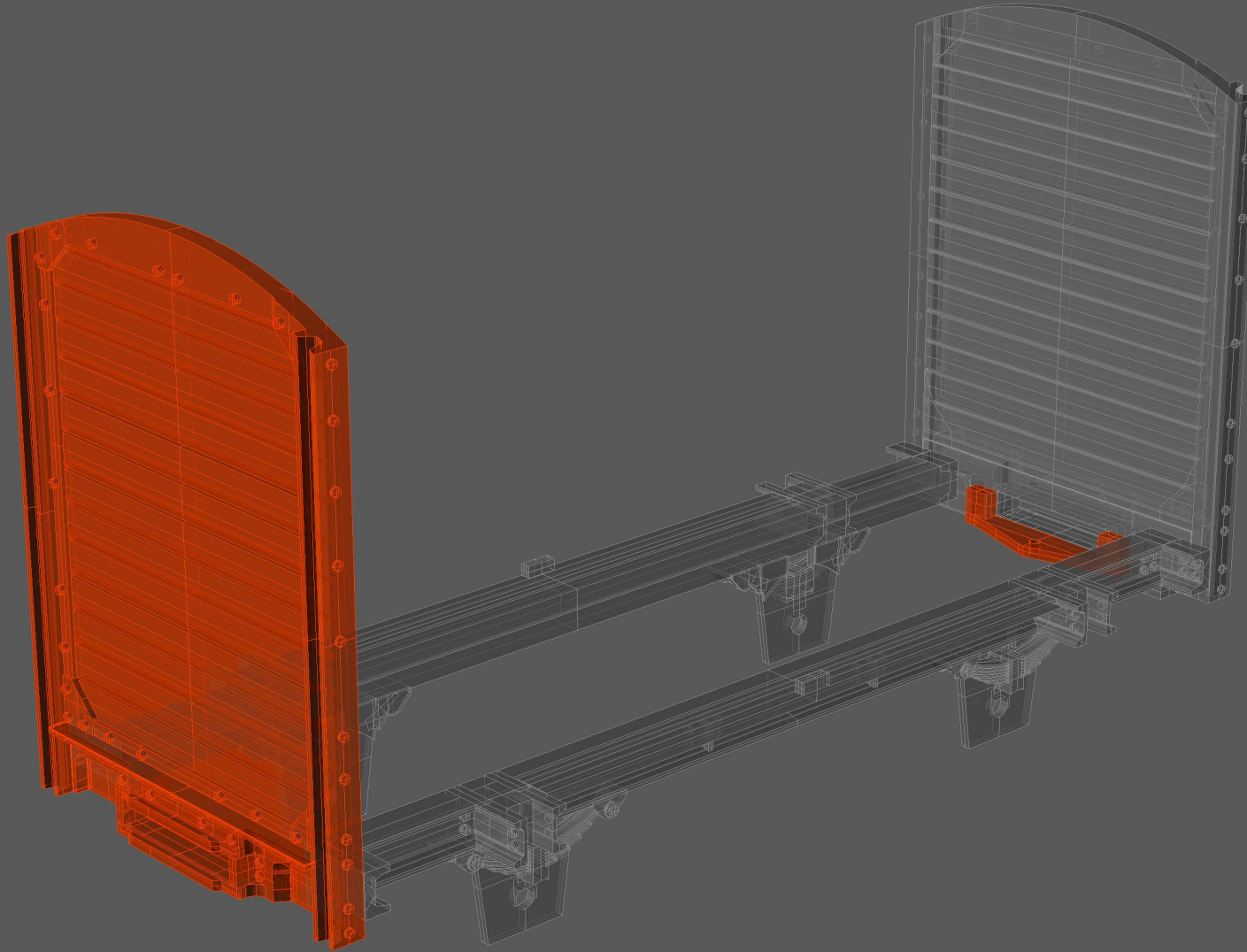


# 3D PRINTABLE MODEL

## CARRIAGE-01

03.2015

EUROREPRAP.EU

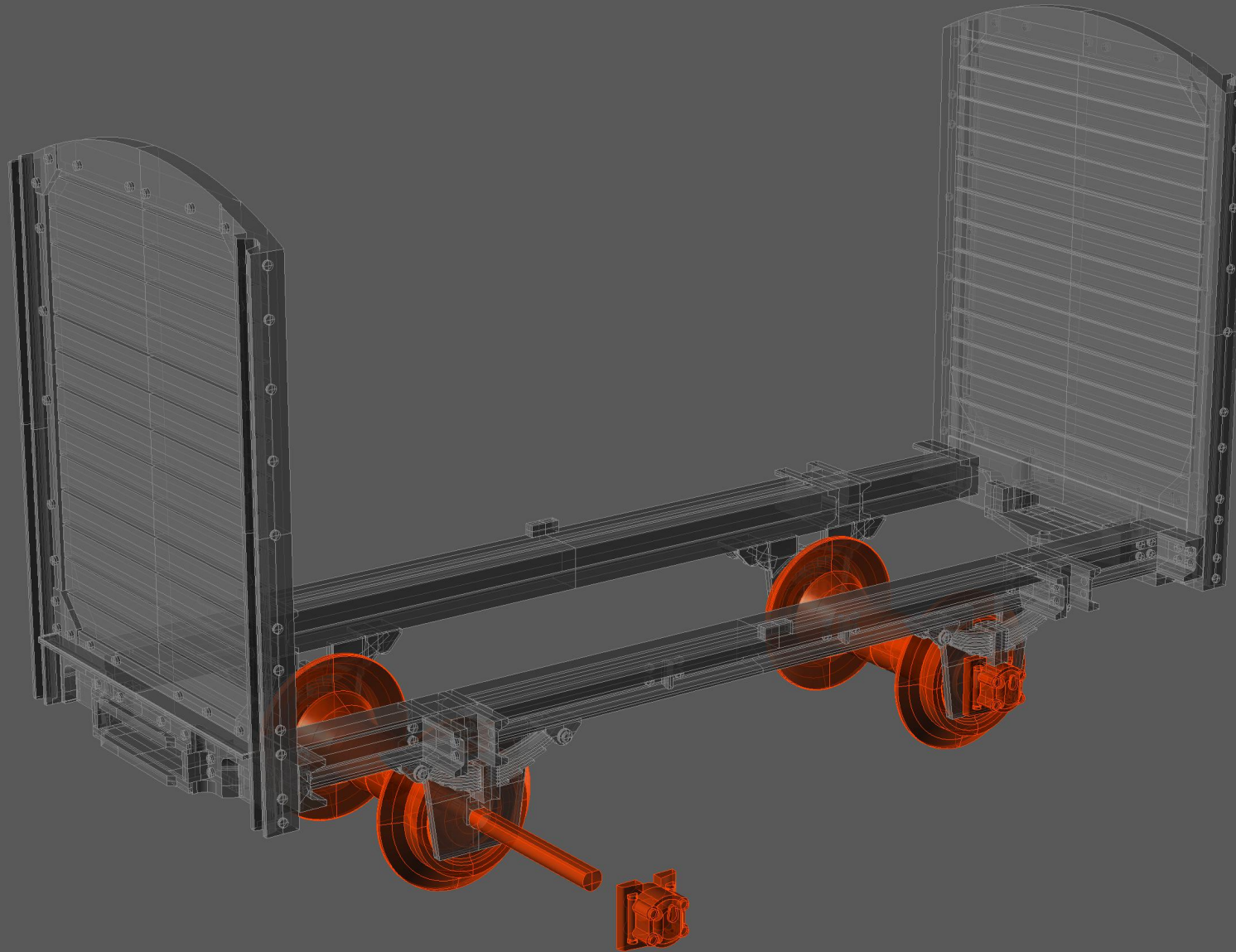


# 3D PRINTABLE MODEL

# CARRIAGE-01

03.2015

EUROREPRAP.EU



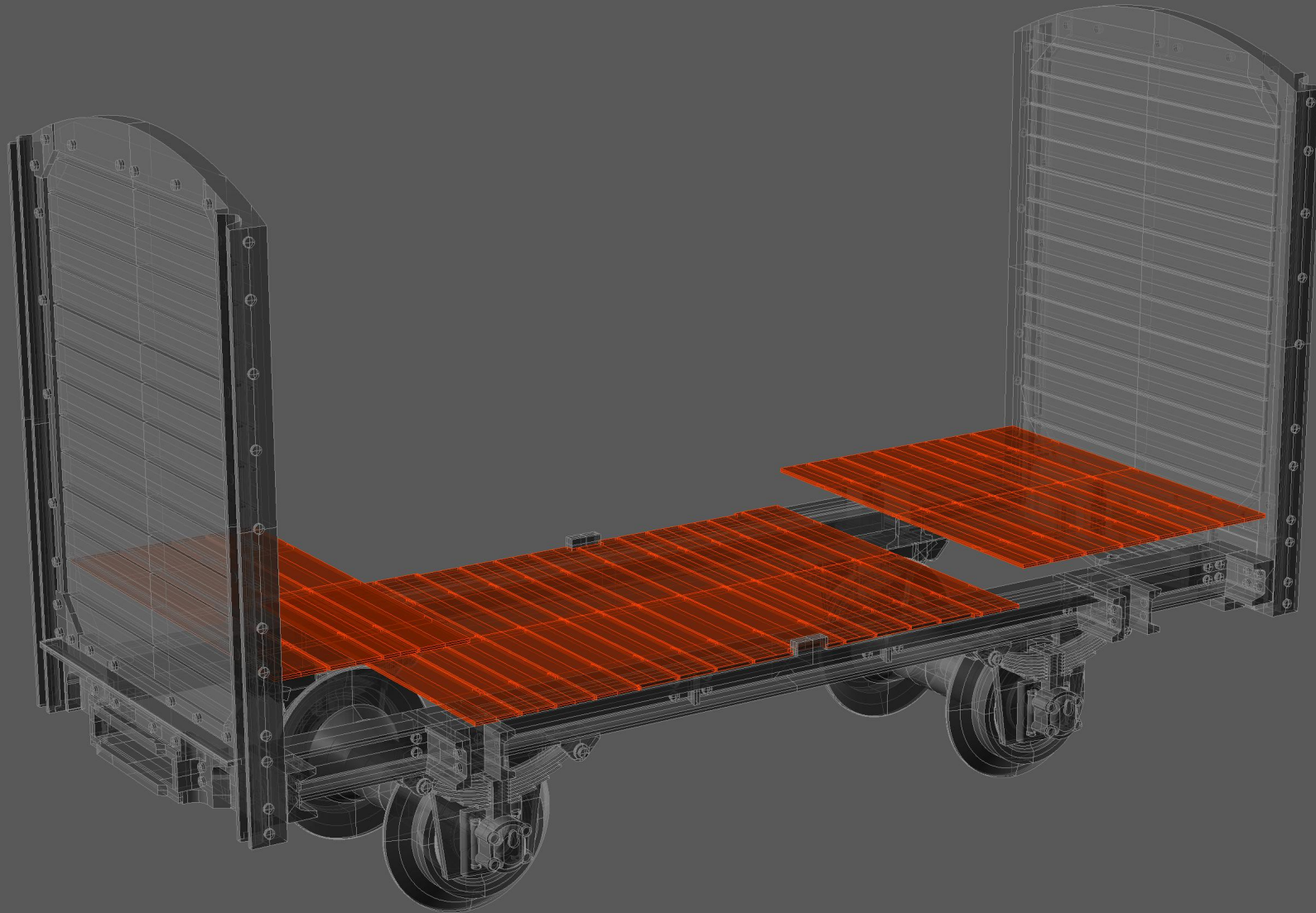


# 3D PRINTABLE MODEL

## CARRIAGE-01

03.2015

EUROREPRAP.EU

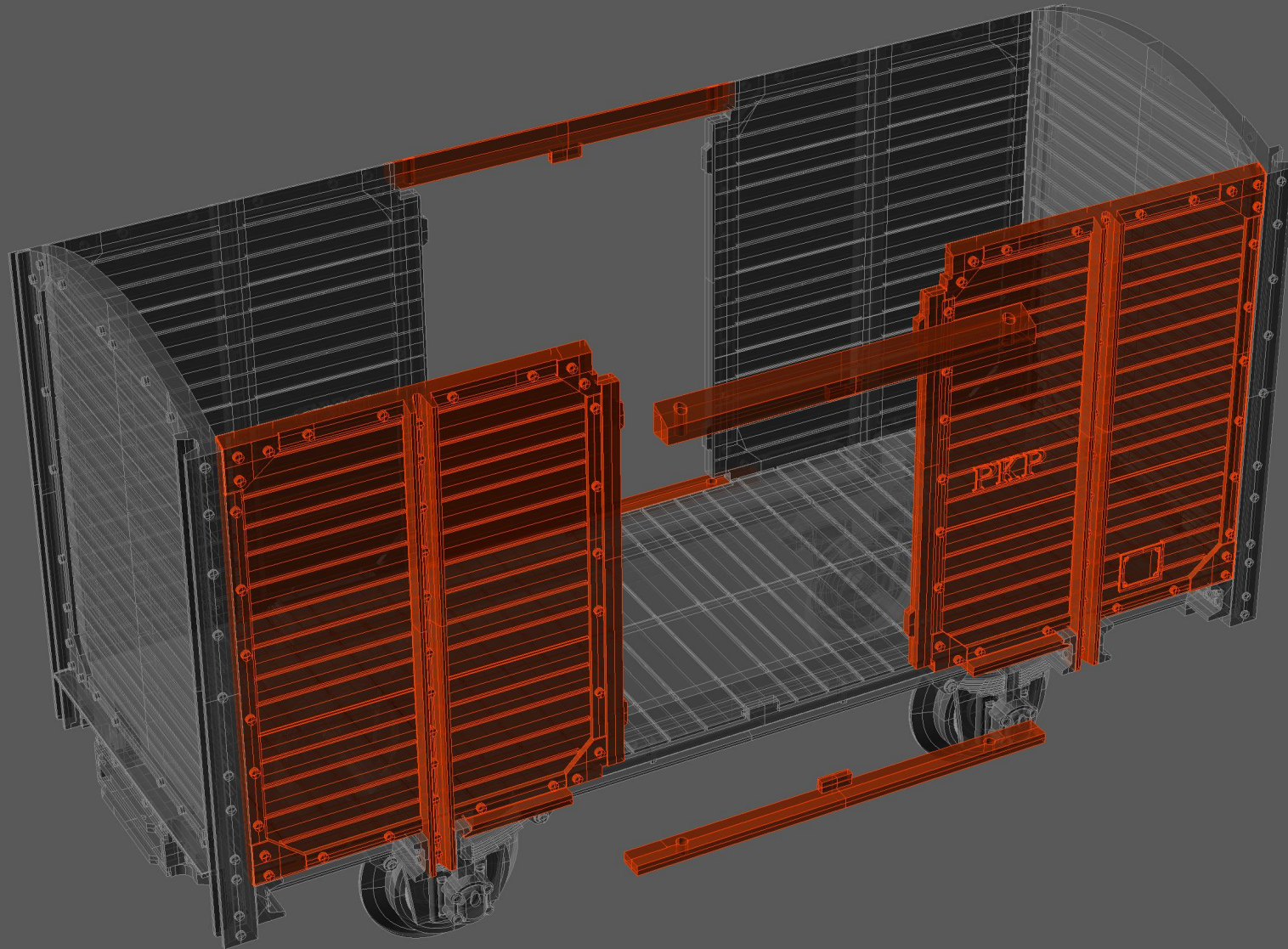


# 3D PRINTABLE MODEL

## CARRIAGE-01

03.2015

EUROREPRAP.EU

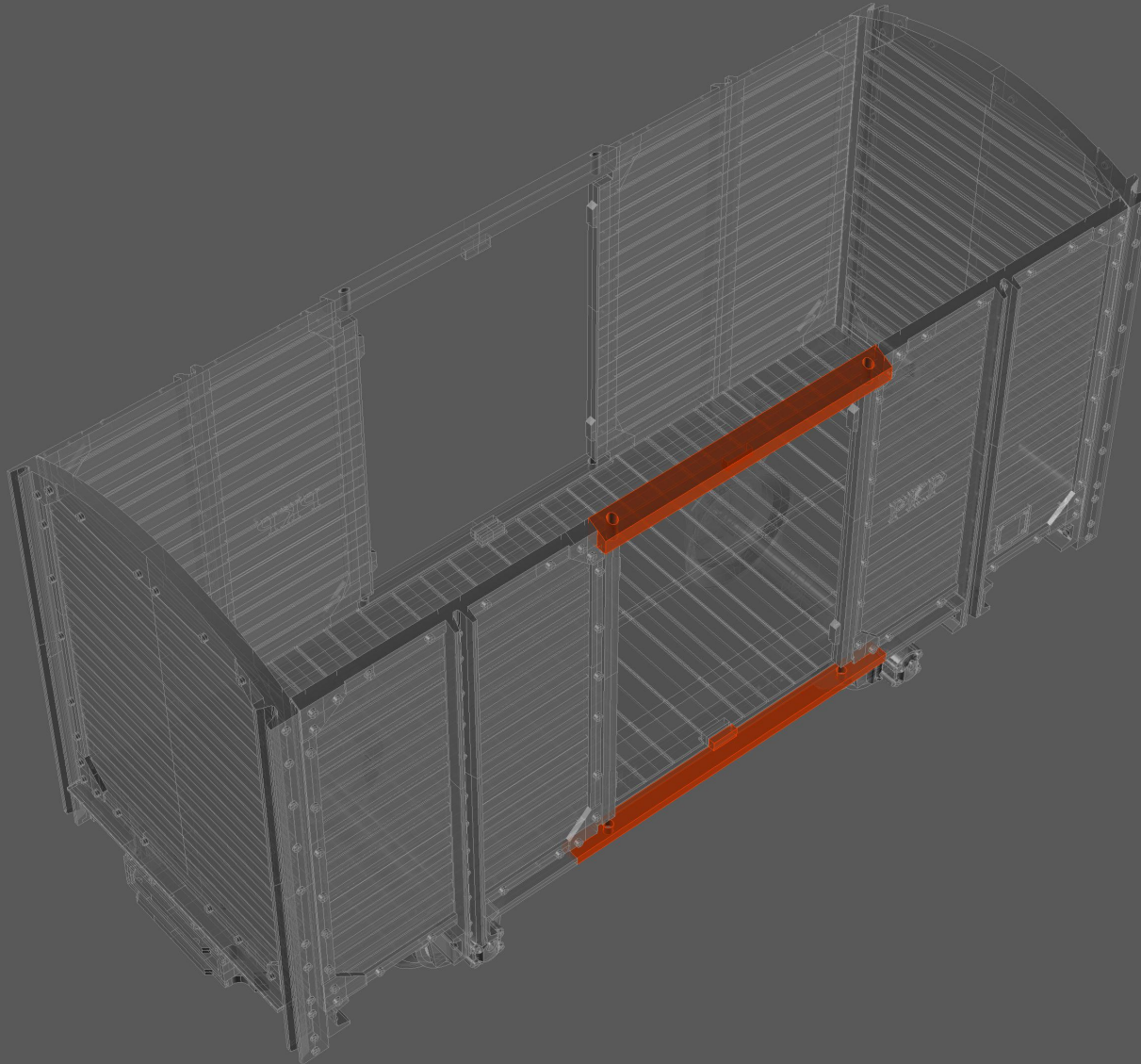


# 3D PRINTABLE MODEL

## CARRIAGE-01

03.2015

EUROREPRAP.EU

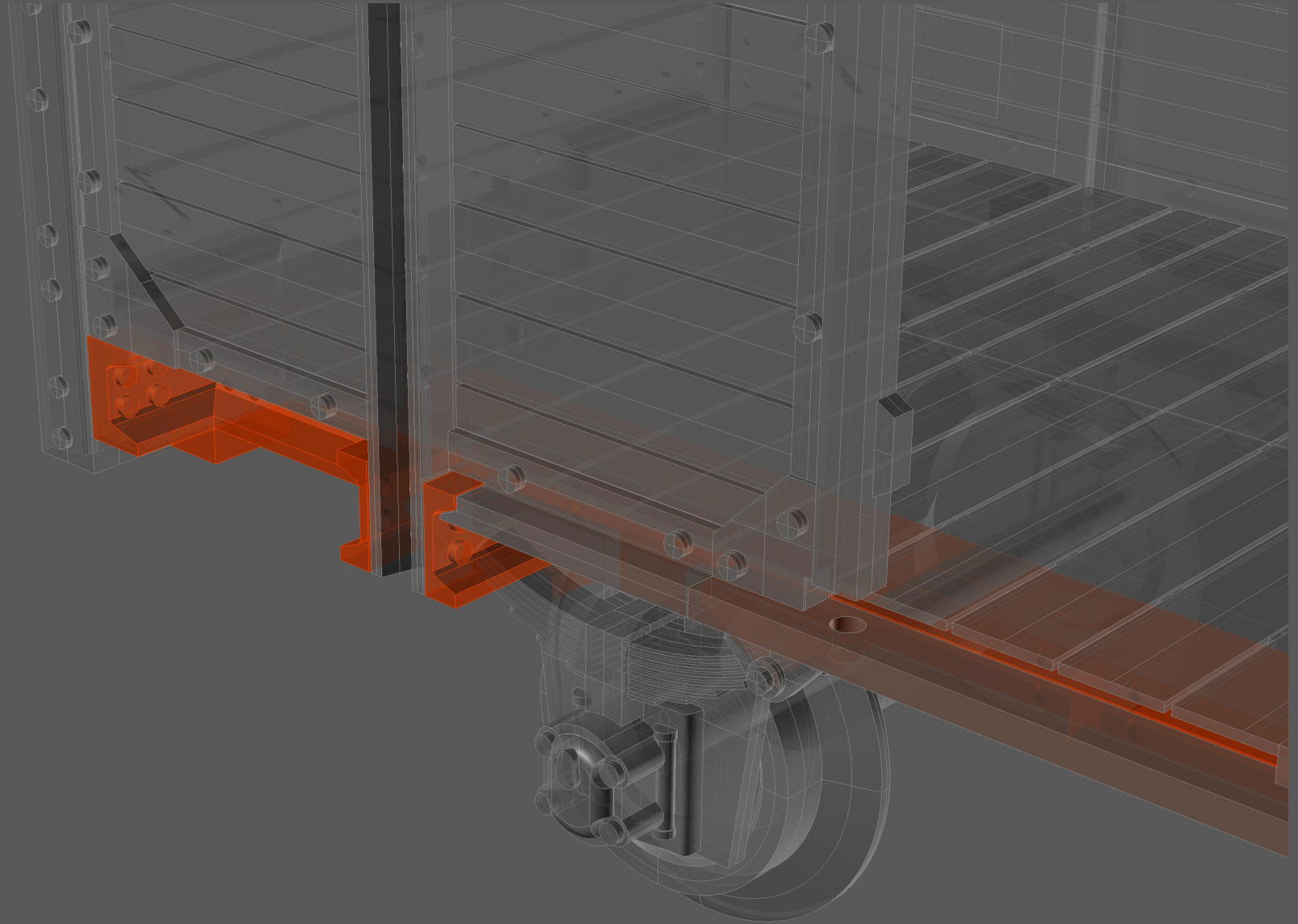


# 3D PRINTABLE MODEL

## CARRIAGE-01

03.2015

EUROREPRAP.EU



---

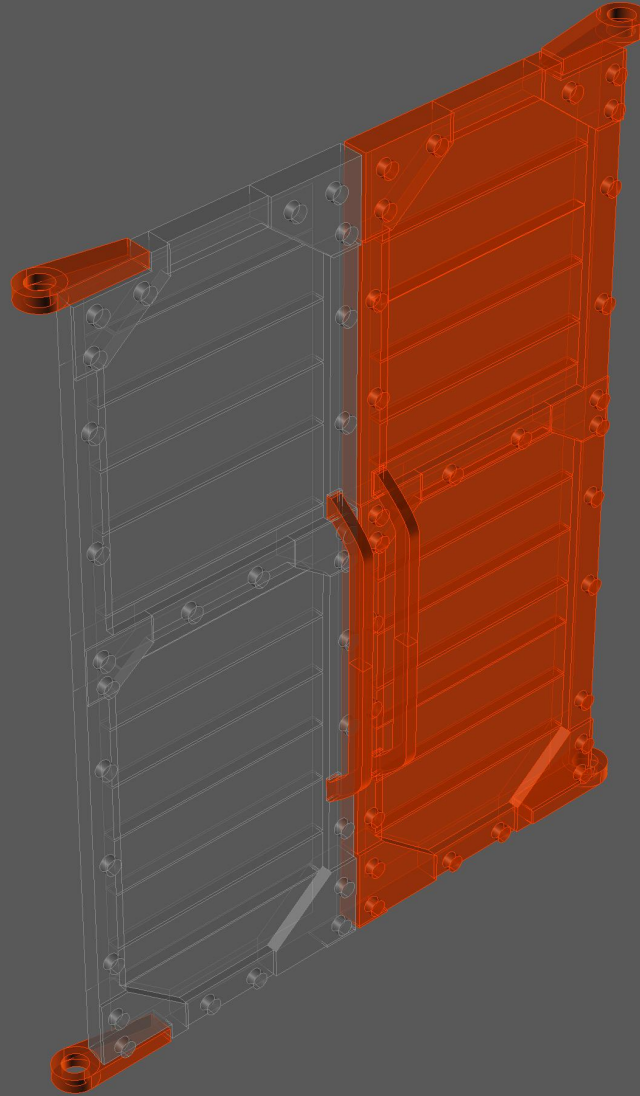
# 3D PRINTABLE MODEL

---

# CARRIAGE-01

03.2015

EUROREPRAP.EU



---

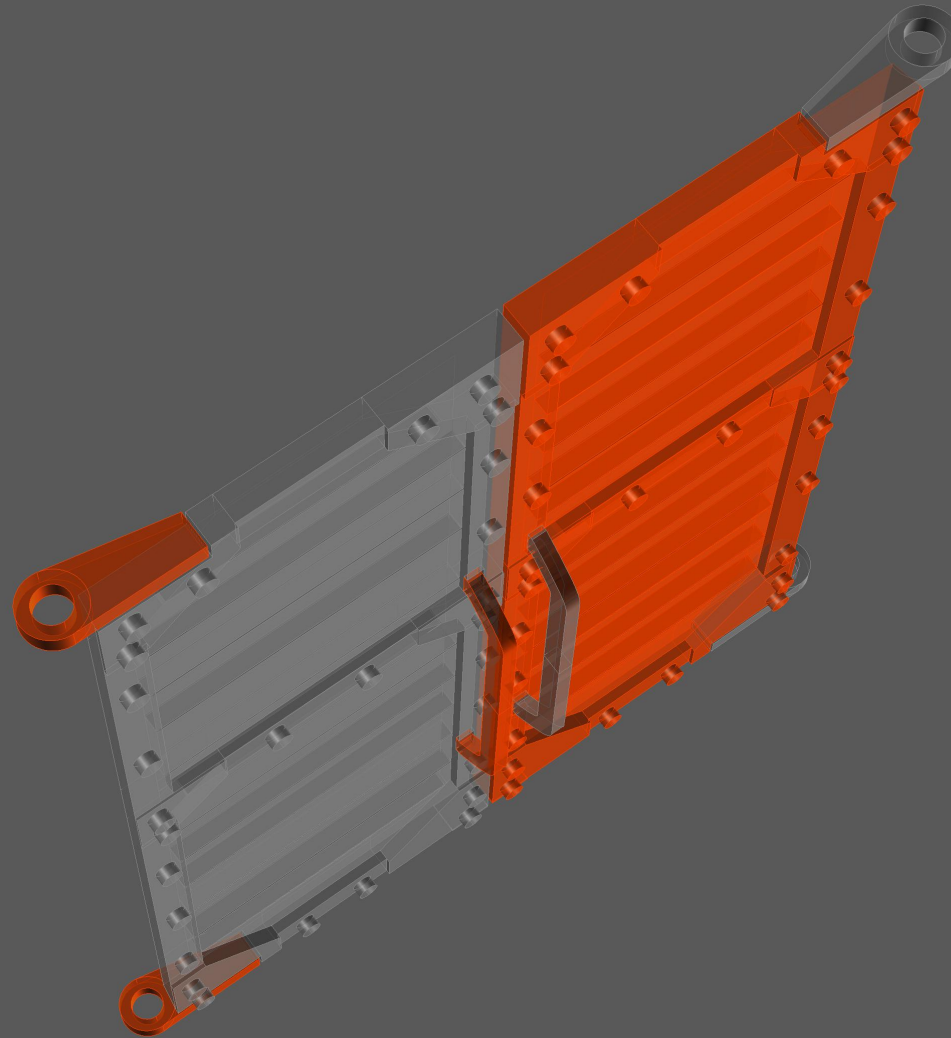
3D PRINTABLE  
MODEL

---

CARRIAGE-01

03.2015

EUROREPRAP.EU

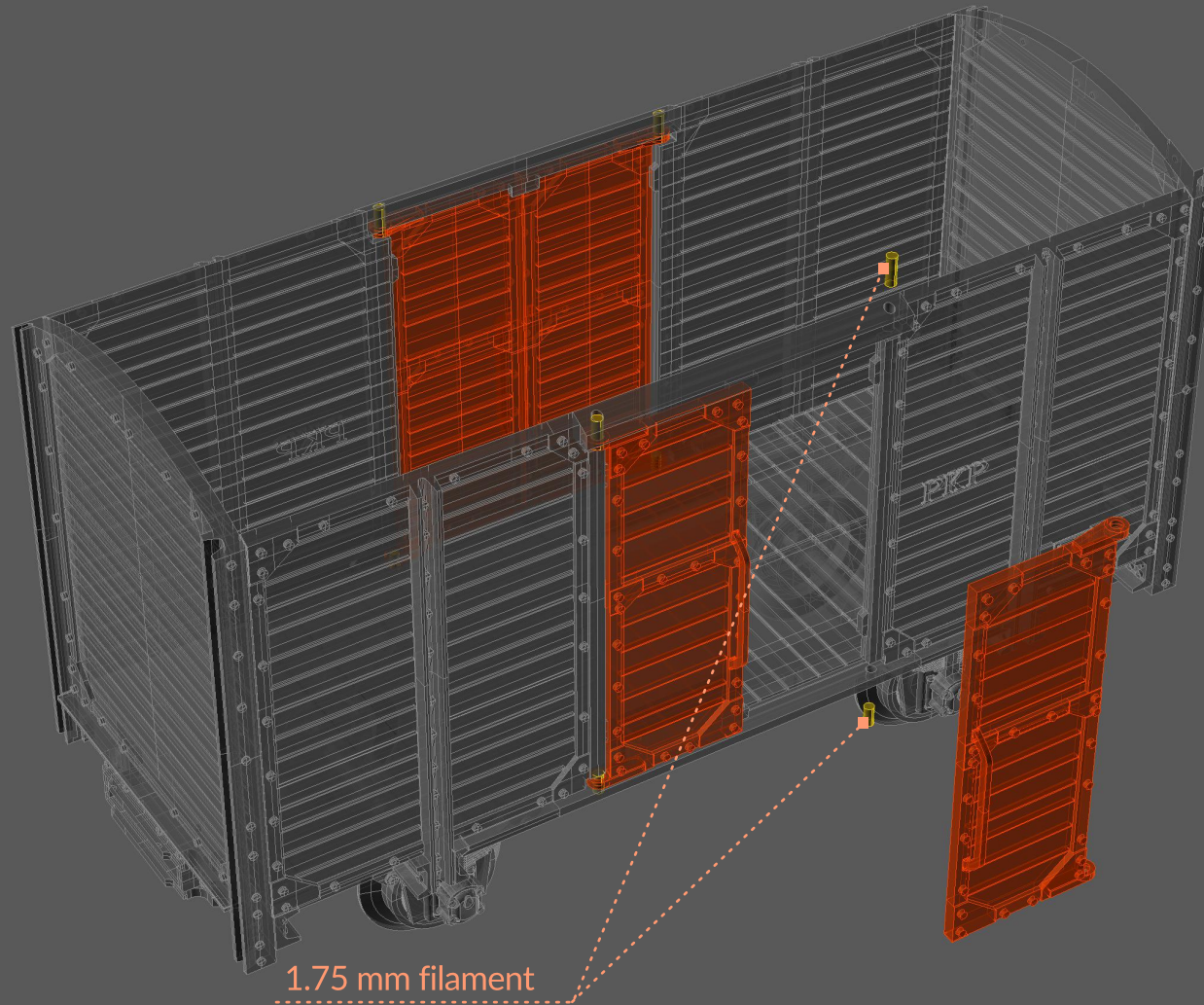


# 3D PRINTABLE MODEL

## CARRIAGE-01

03.2015

EUROREPRAP.EU



3D PRINTABLE  
MODEL

CARRIAGE-01

03.2015

EUROREPRAP.EU



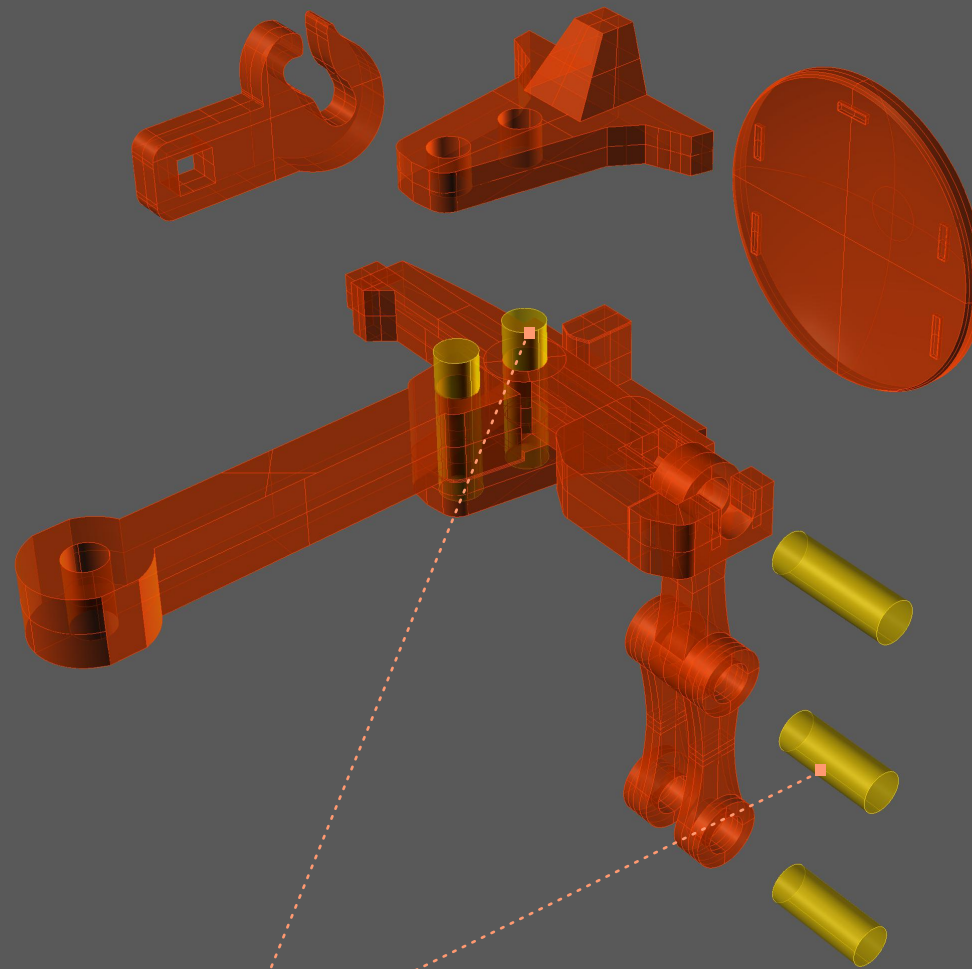


# 3D PRINTABLE MODEL

## CARRIAGE-01

03.2015

EUROREPRAP.EU



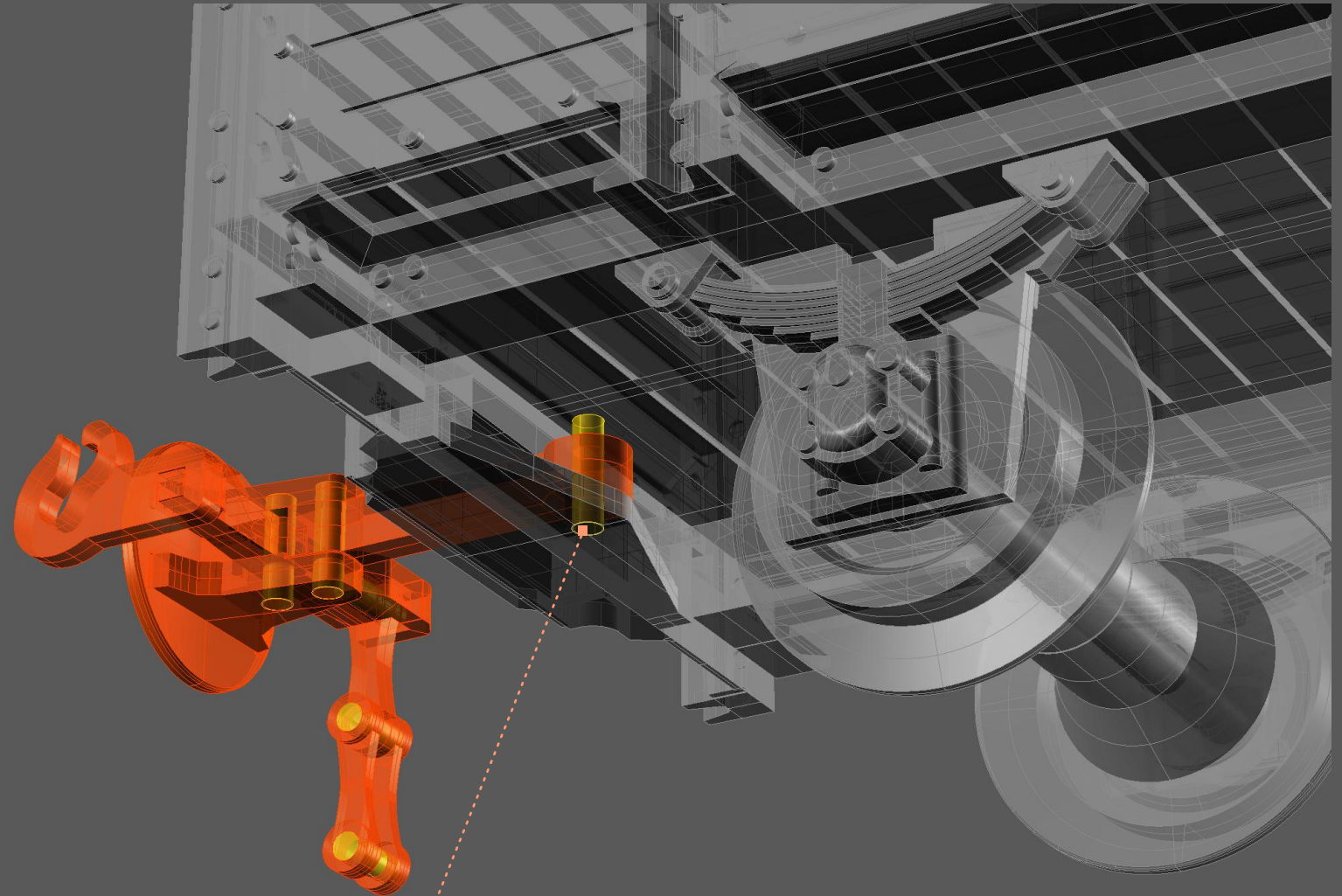
1.75 mm filament

# 3D PRINTABLE MODEL

## CARRIAGE-01

03.2015

EUROREPRAP.EU



1.75 mm filament