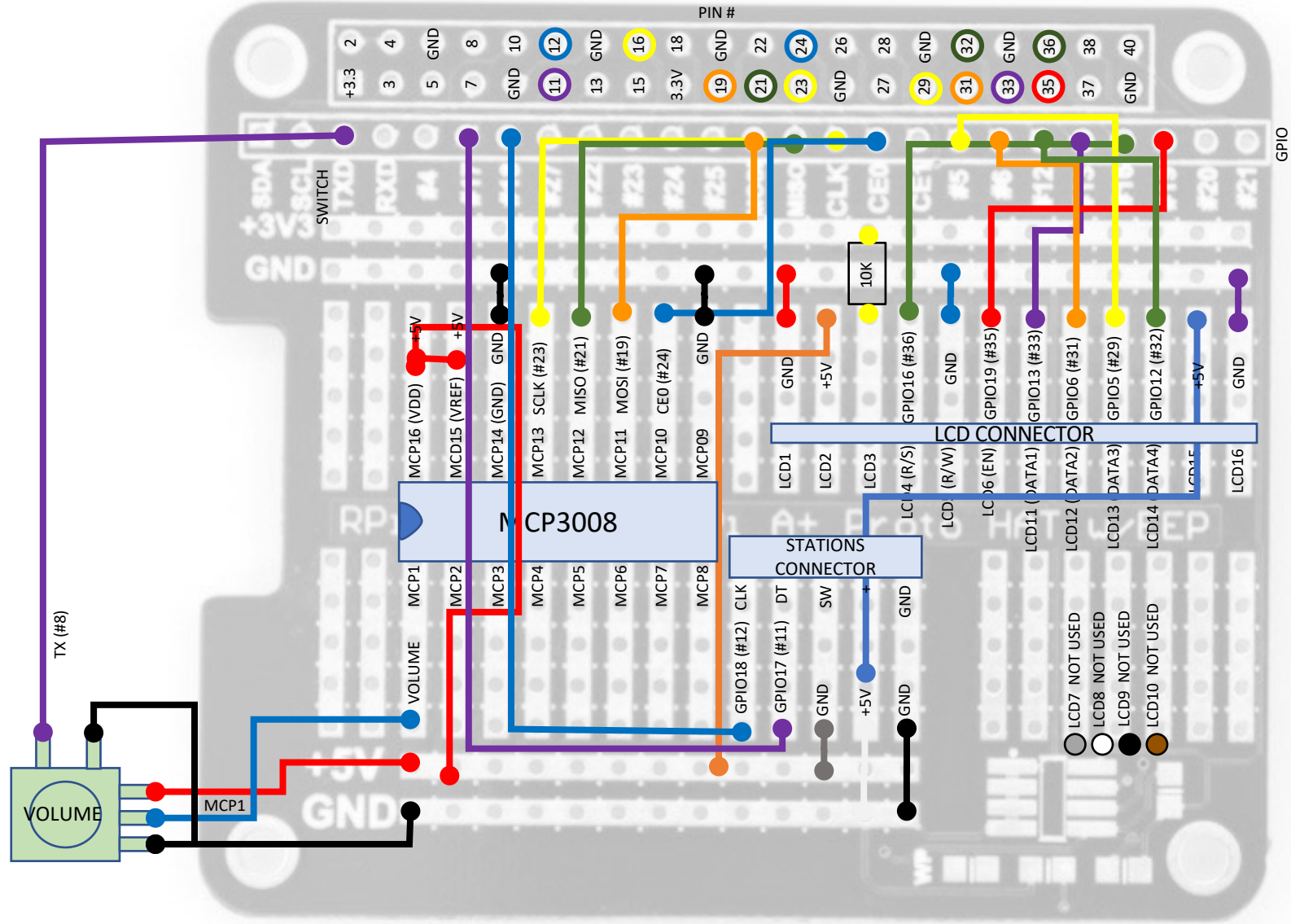
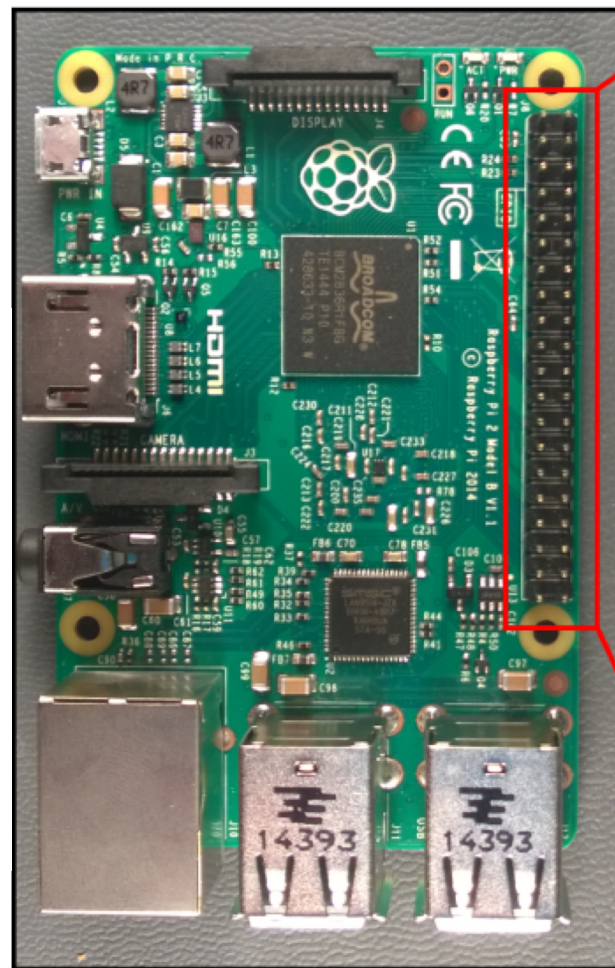
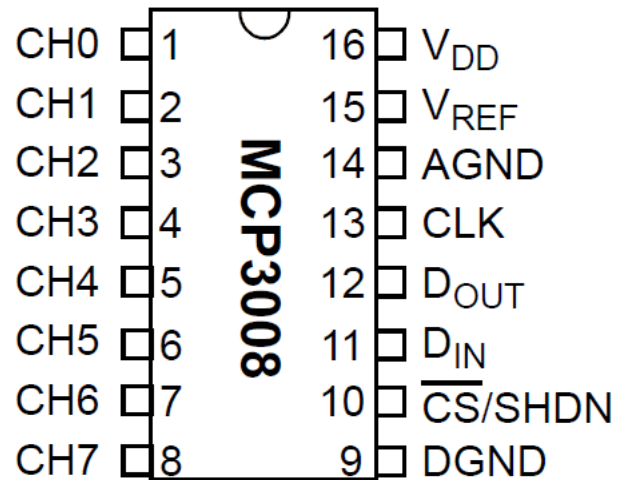


V1





Alternate Function	GPIO	Pin	Pin	Alternate Function
	3.3V PWR	1	2	5V PWR
I2C1 SDA	GPIO 2	3	4	5V PWR
I2C1 SCL	GPIO 3	5	6	GND
	GPIO 4	7	8	UART0 TX
	GND	9	10	UART0 RX
	GPIO 17	11	12	GPIO 18
	GPIO 27	13	14	GND
	GPIO 22	15	16	GPIO 23
	3.3V PWR	17	18	GPIO 24
SPI0 MOSI	GPIO 10	19	20	GND
SPI0 MISO	GPIO 9	21	22	GPIO 25
SPI0 SCLK	GPIO 11	23	24	GPIO 8
	GND	25	26	GPIO 7
	Reserved	27	28	Reserved
	GPIO 5	29	30	GND
	GPIO 6	31	32	GPIO 12
	GPIO 13	33	34	GND
SPI1 MISO	GPIO 19	35	36	GPIO 16
	GPIO 26	37	38	GPIO 20
	GND	39	40	GPIO 21
				SPI0 CS0
				SPI0 CS1
				SPI1 CS0
				SPI1 MOSI
				SPI1 SCLK