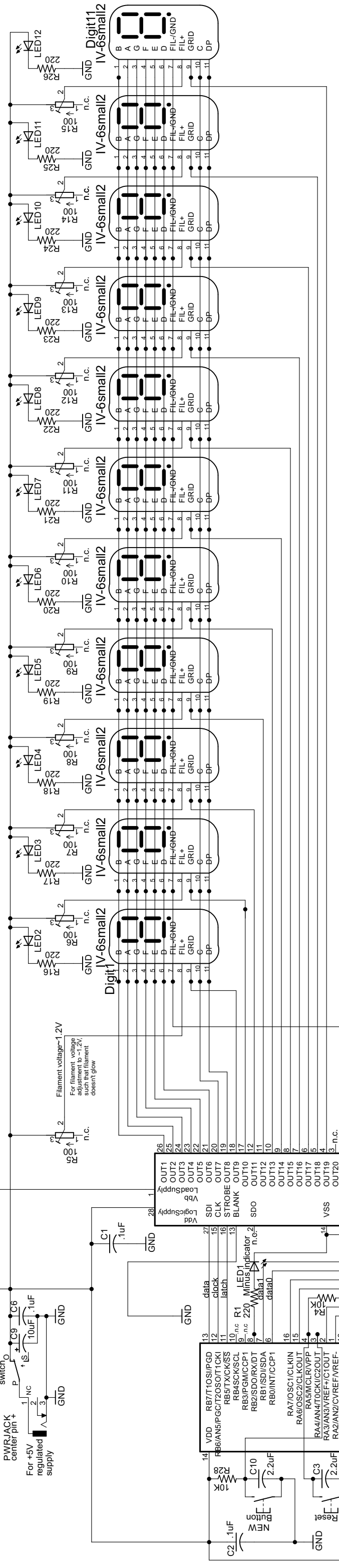


TI-83 sends values to 16F88, which displays them on LCD & VFD tubes

11 Digits (1 used for decimal)

LEDs for illuminating tubes from below



A6812SA OUT1-8 are the numeral segment/DP selection lines
 OUT9-19 are the Digit selection lines
 Grids and Segments (anodes) are multiplexed
 Don't need blanking, option: just tie BLANK on A6812SA low.

