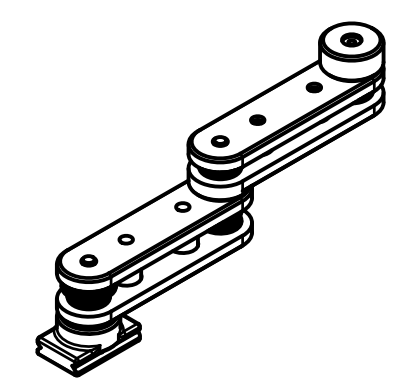
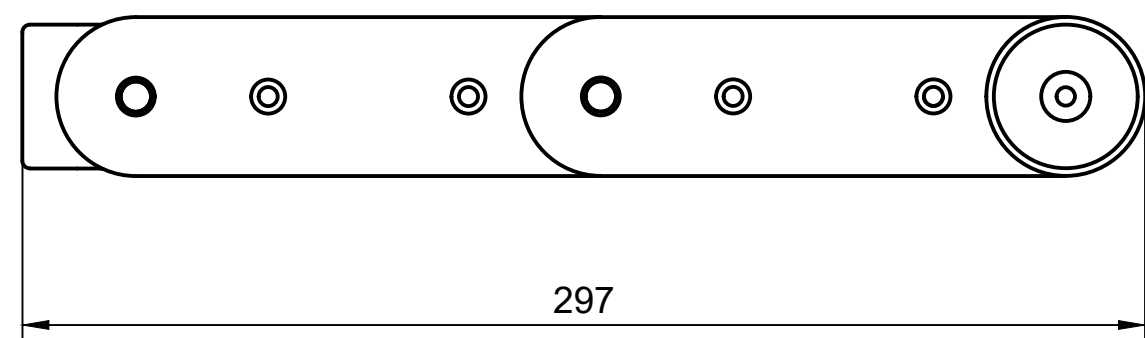
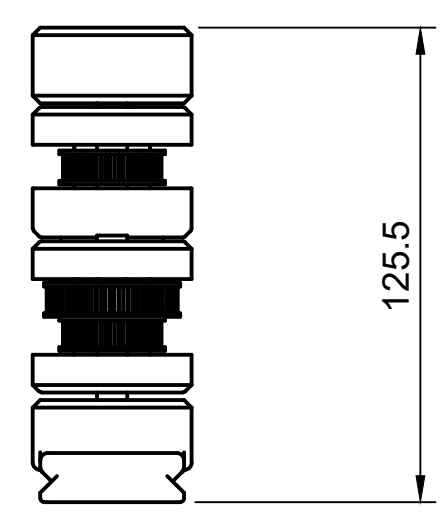
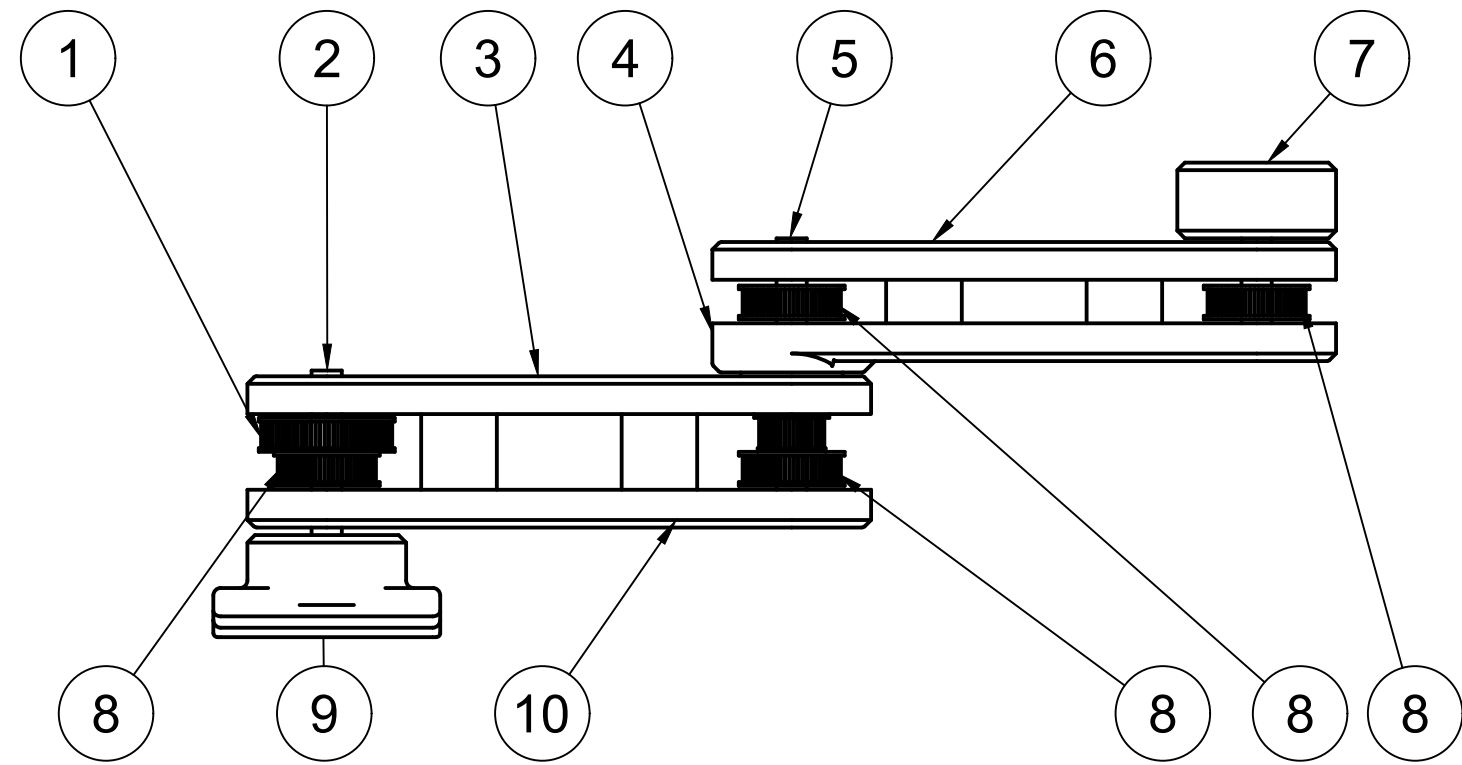
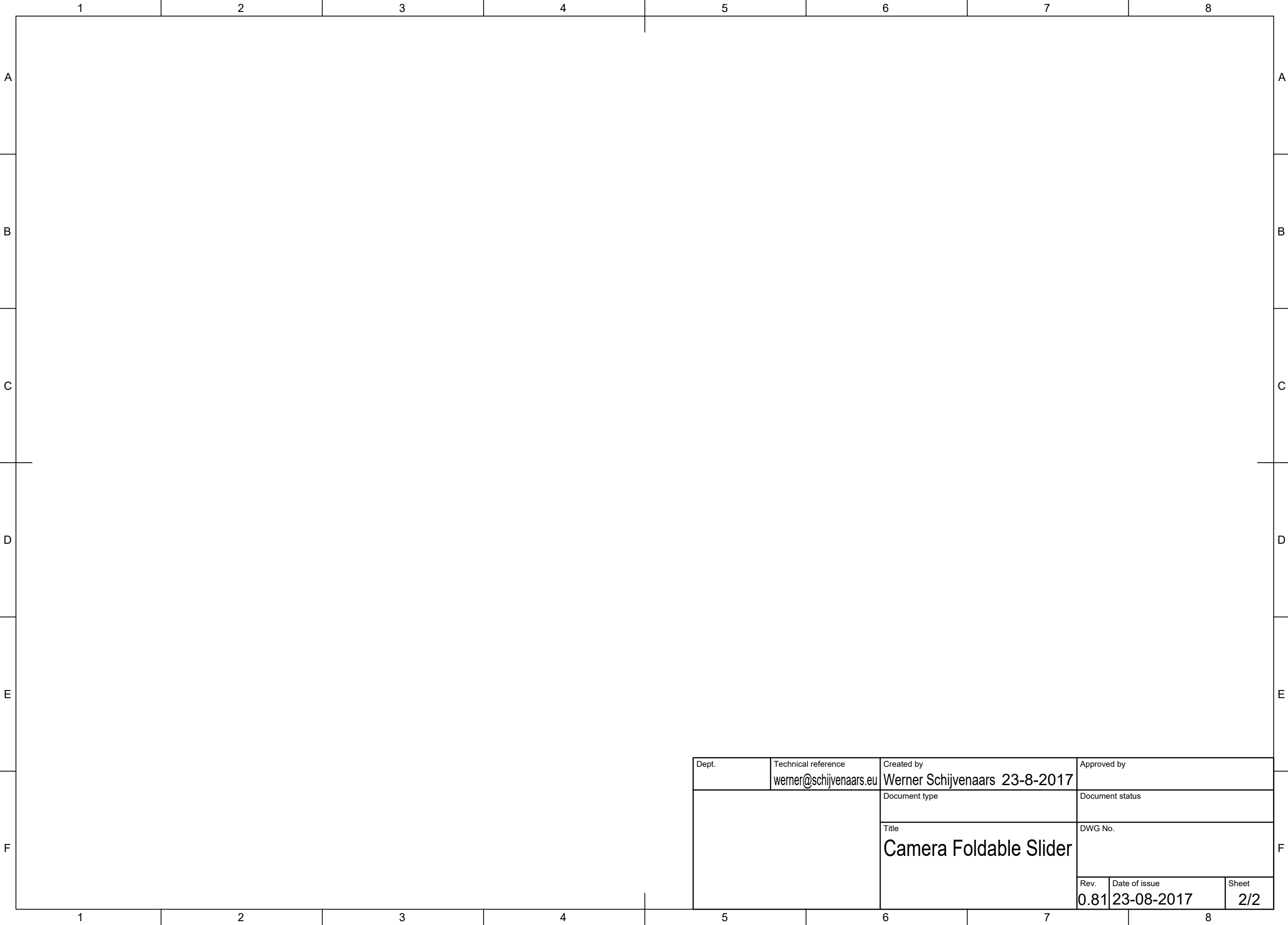


Parts List				
Item	Qty	Part Number	Description	Material
1	1	Gear big v2		Polypropylene
2	1	Ax 1		Stainless Steel
3	1	Lower Bar 2		Polypropylene
4	1	Higher bar 1 + small Gear		
5	1	Ax 2		Stainless Steel
6	1	Higher bar 2		Polypropylene

Parts List				
Item	Qty	Part Number	Description	Material
7	1	Ax to 5/8 converter		Stainless Steel
8	4	Gear (4x)		Polypropylene
9	1	Ax 3		Stainless Steel
9	1	Ax Clamp		Polypropylene
10	1	Lower Bar 1		Polypropylene



Dept.	Technical reference werner@schijvenaars.eu	Created by Werner Schijvenaars 23-8-2017	Approved by
		Document type	Document status
		Title Camera Foldable Slider	DWG No.
		Rev. 0.81	Date of issue 23-08-2017
			Sheet 1/2



Dept.	Technical reference werner@schijvenaars.eu	Created by Werner Schijvenaars 23-8-2017	Approved by	
		Document type	Document status	
		Title Camera Foldable Slider	DWG No.	
Rev.	Date of issue	Sheet		
0.81	23-08-2017	2/2		