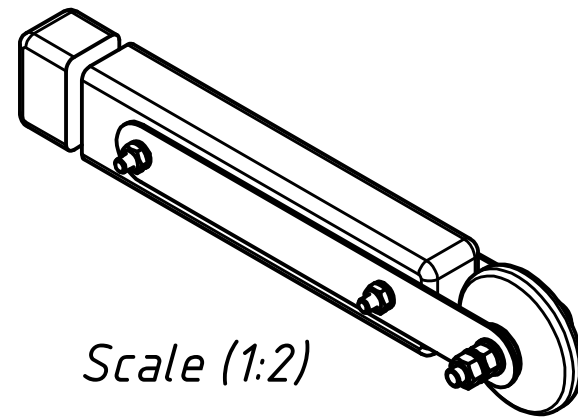


ITEM	DESCRIPTION	QTY
1	Roller	1
2	Bracket	2
3	Handle	1
4	Screw (ISO 7046-1 - M5 x 40)	1
5	Screw (ISO 7045 - M4 x 30)	2
6	Spring Washer (DIN 128 - M4)	2
7	Hexagon Nut (ISO 4032 - M4)	2
8	Plain Washer (ISO 7089 - M5)	3
9	Plain Washer (DIN 9021 - M5)	3
10	Spring Washer (DIN 128 - M5)	1
11	Hexagon Nut (ISO 4032 - M5)	2



Scale (1:2)

4
8
9
10
11