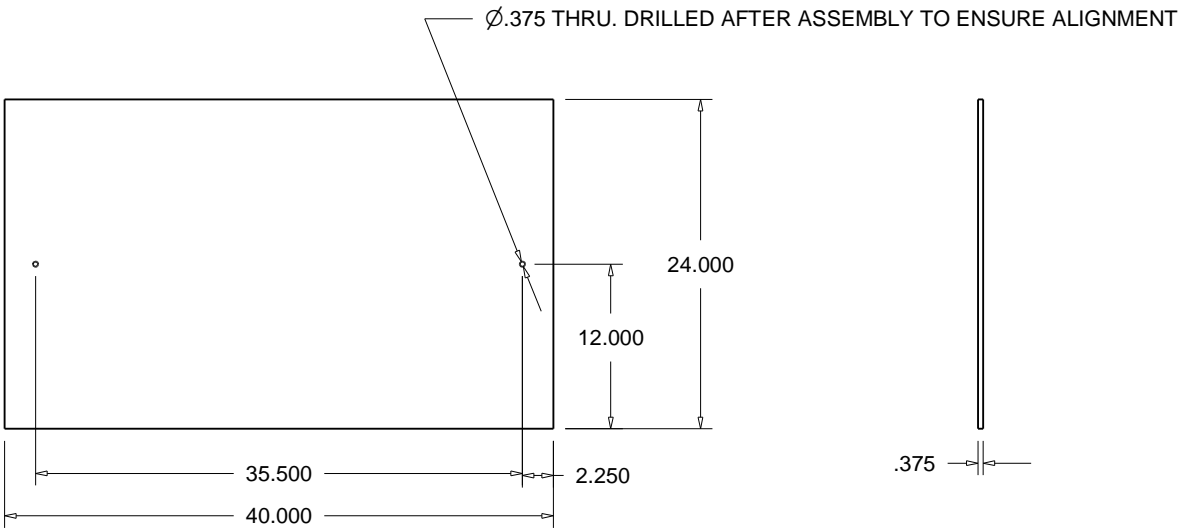


Rev.	Description	Date	Author



(1) REQUIRED



Part Name: Cheap Plywood .375 x 24 x 40

Supplier:	Tolerances:	Part #:
	0.X 0.050	
	0.XX 0.010	
Material:	0.XXX 0.004	