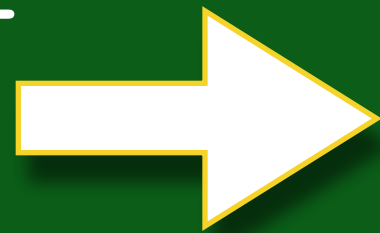


Choosing A Power Supply

To Save Power Always



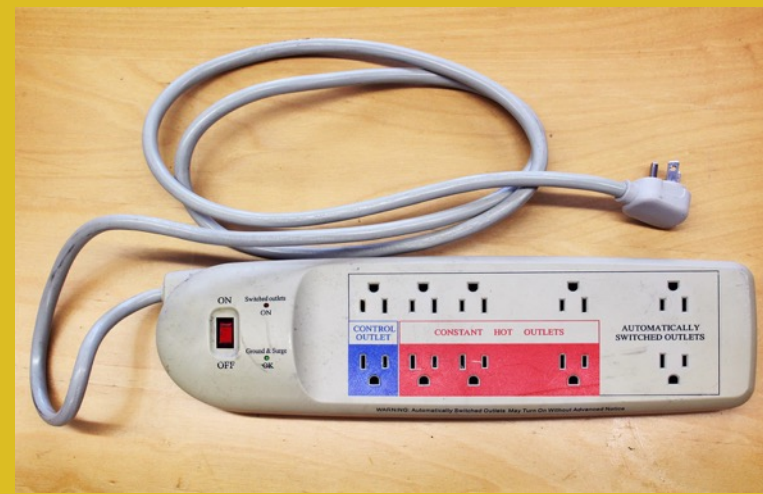
Use an "80 Plus" Certified Power Supply

	80 PLUS	80 PLUS BRONZE	80 PLUS SILVER	80 PLUS GOLD	80 PLUS PLATINUM	80 PLUS TITANIUM
at 10% load	—	—	—	—	—	90%
at 20% load	80%	82%	85%	87%	90%	92%
at 50% load	80%	85%	88%	90%	92%	94%
at 100% load	80%	82%	85%	87%	89%	90%

To Save Power When Idle

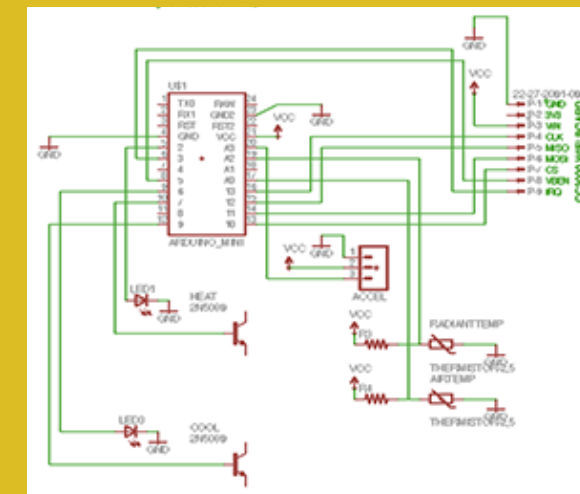


Use A Smart Outlet



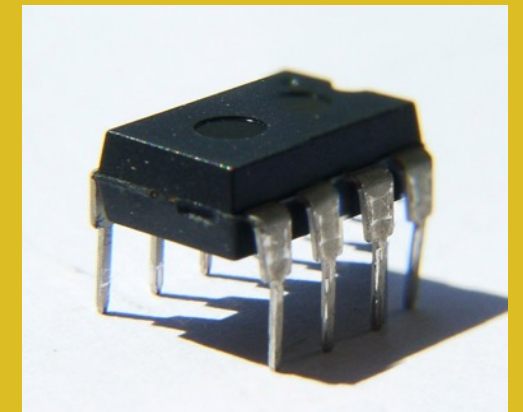
If You Only Have Whole Devices

Wire A Wake-Up Circuit



If You Only Have Standard Components

Use Standby Power Controller Chips



If You Can Buy Special Components