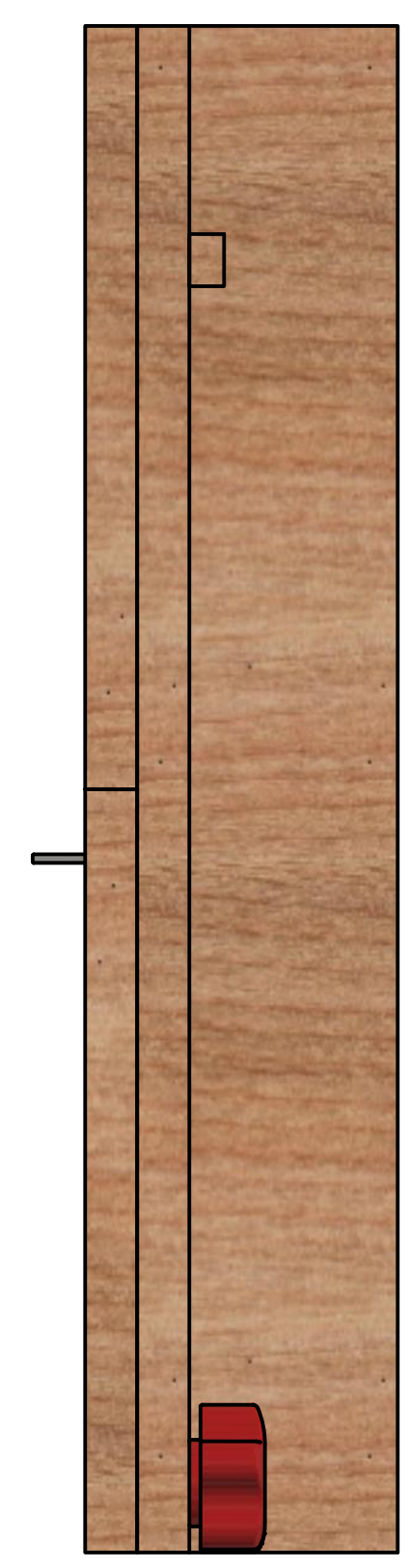
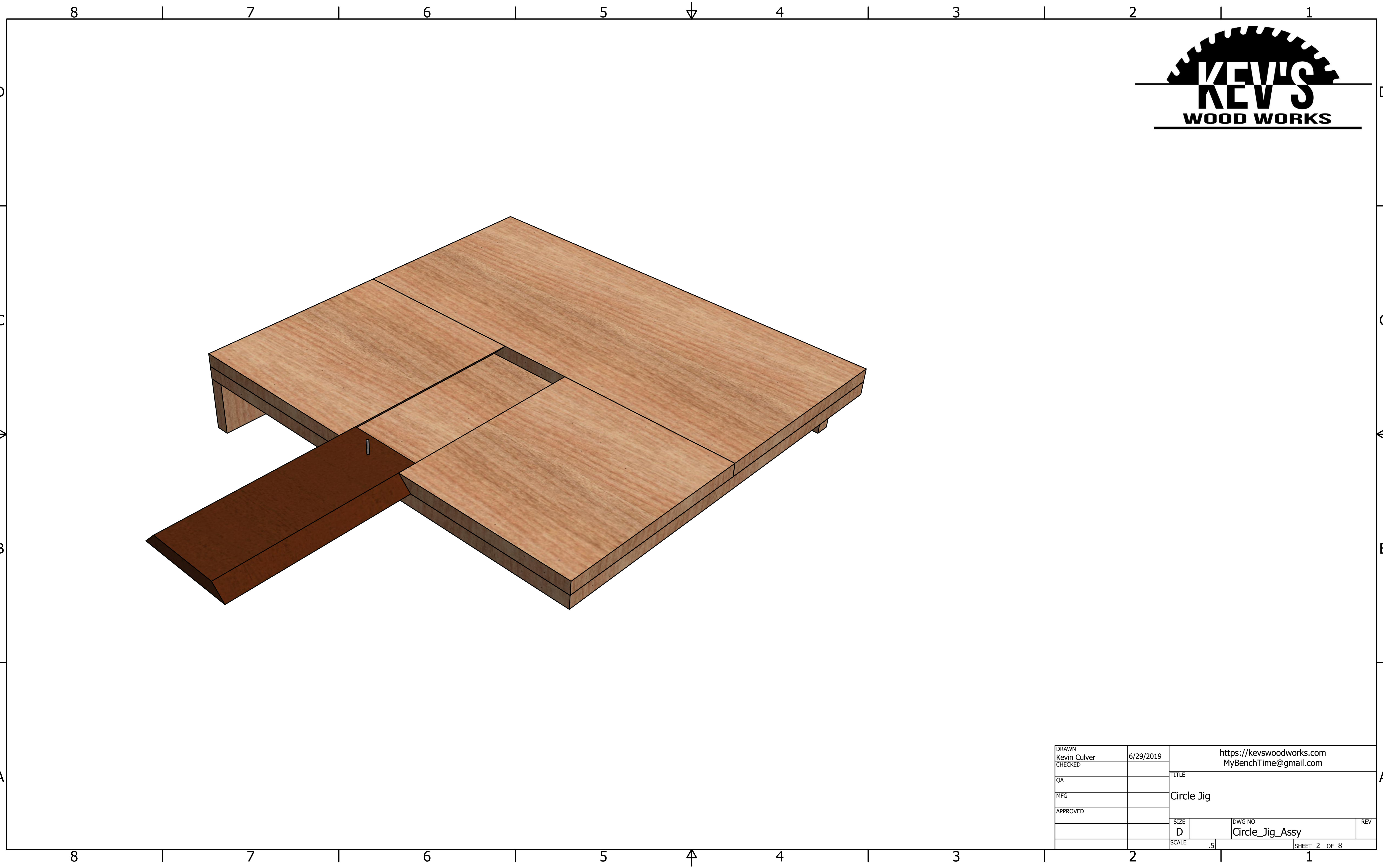


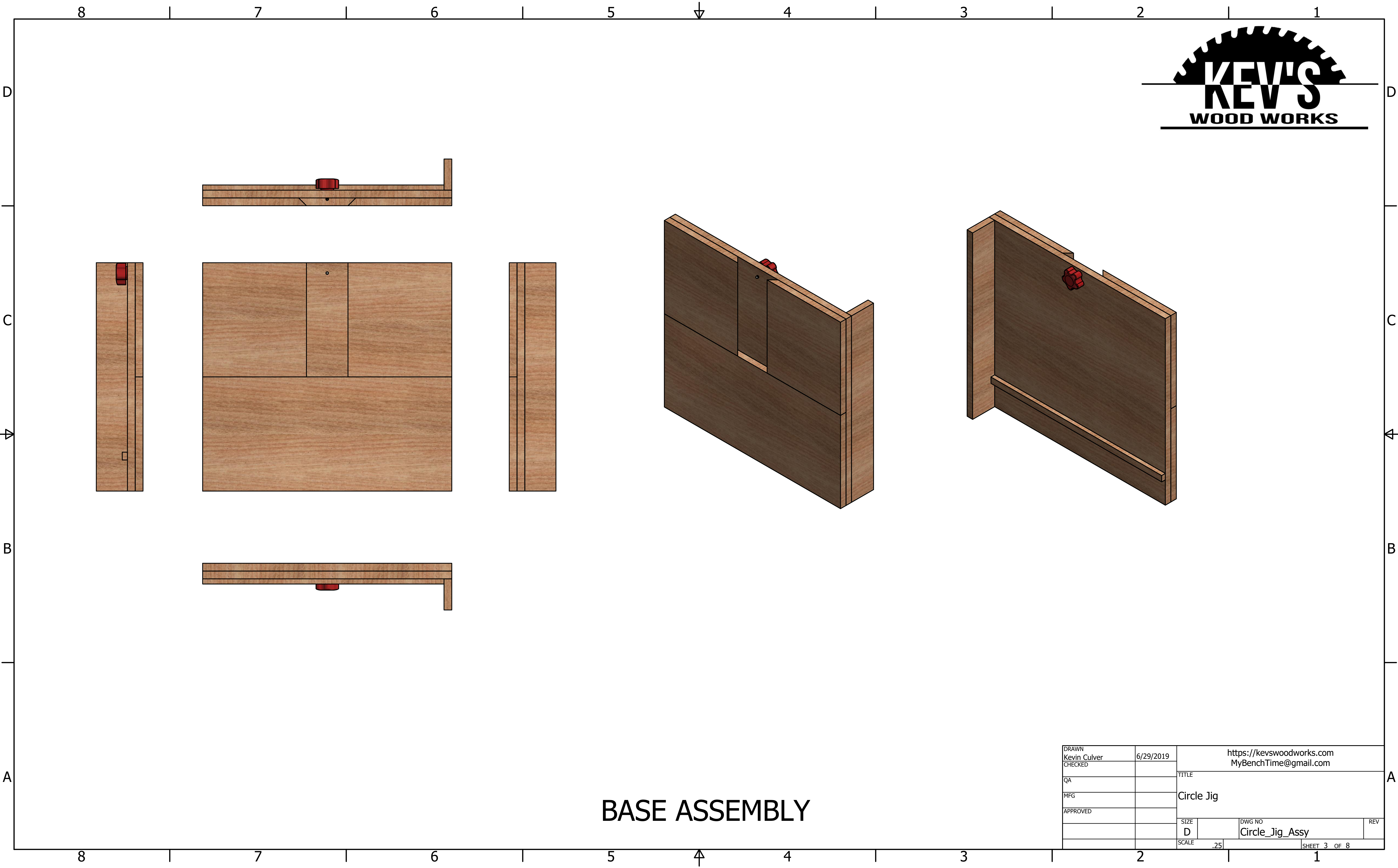
22.00



DRAWN Kevin Culver	6/29/2019	https://kevswoodworks.com		
CHECKED		MyBenchTime@gmail.com		
QA		TITLE		
MFG		Circle Jig		
APPROVED		SIZE	DWG NO	REV
		D	Circle_Jig_Assy	
		SCALE	.375	SHEET 1 OF 8

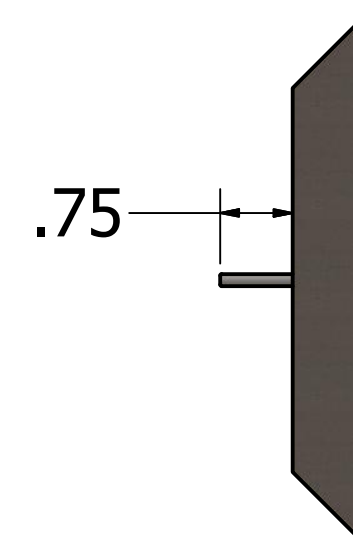
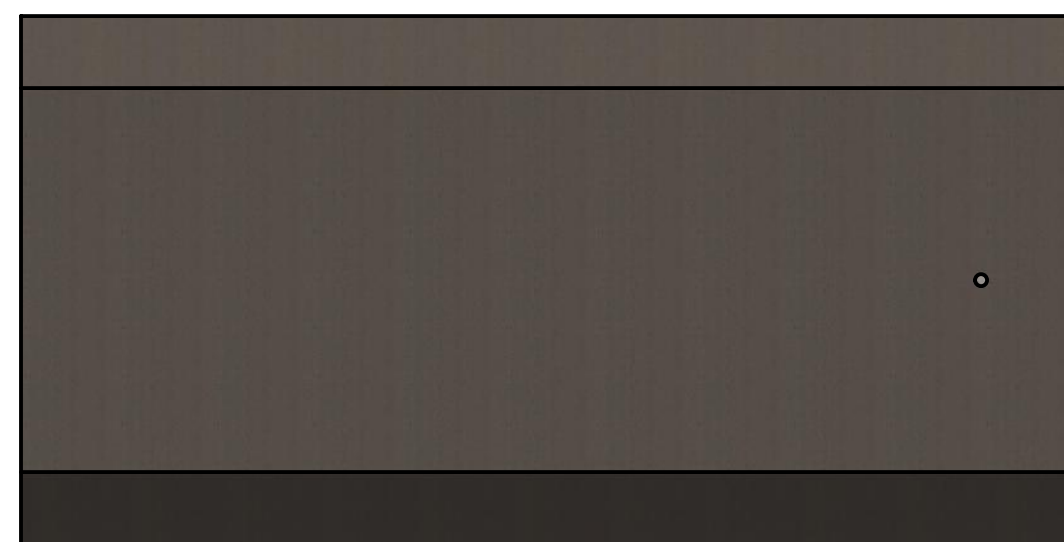
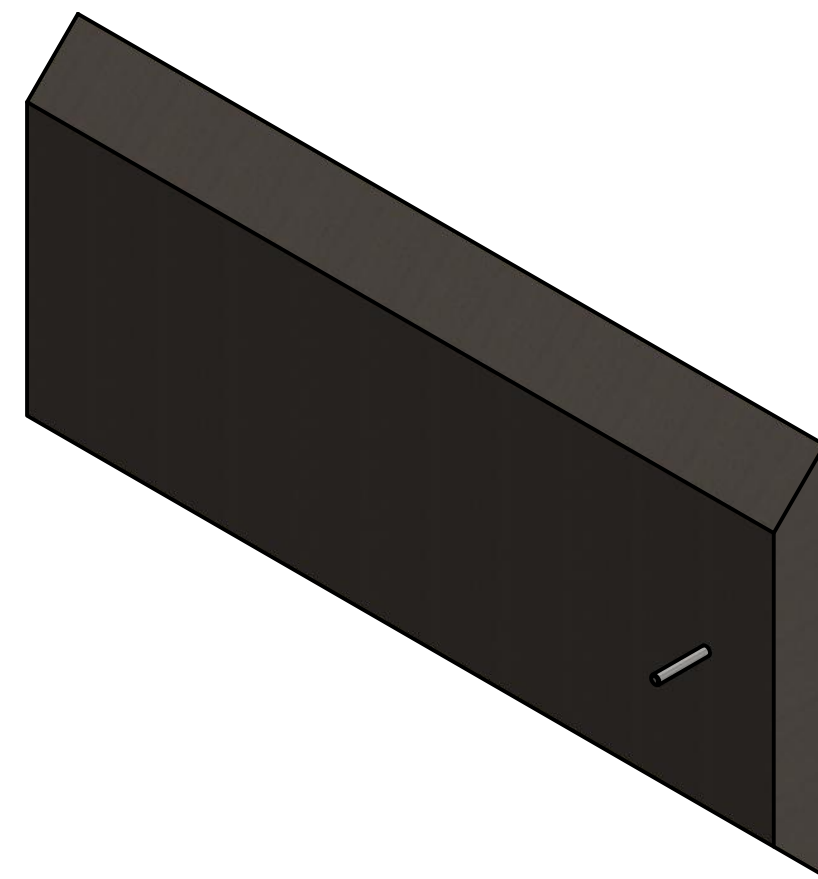
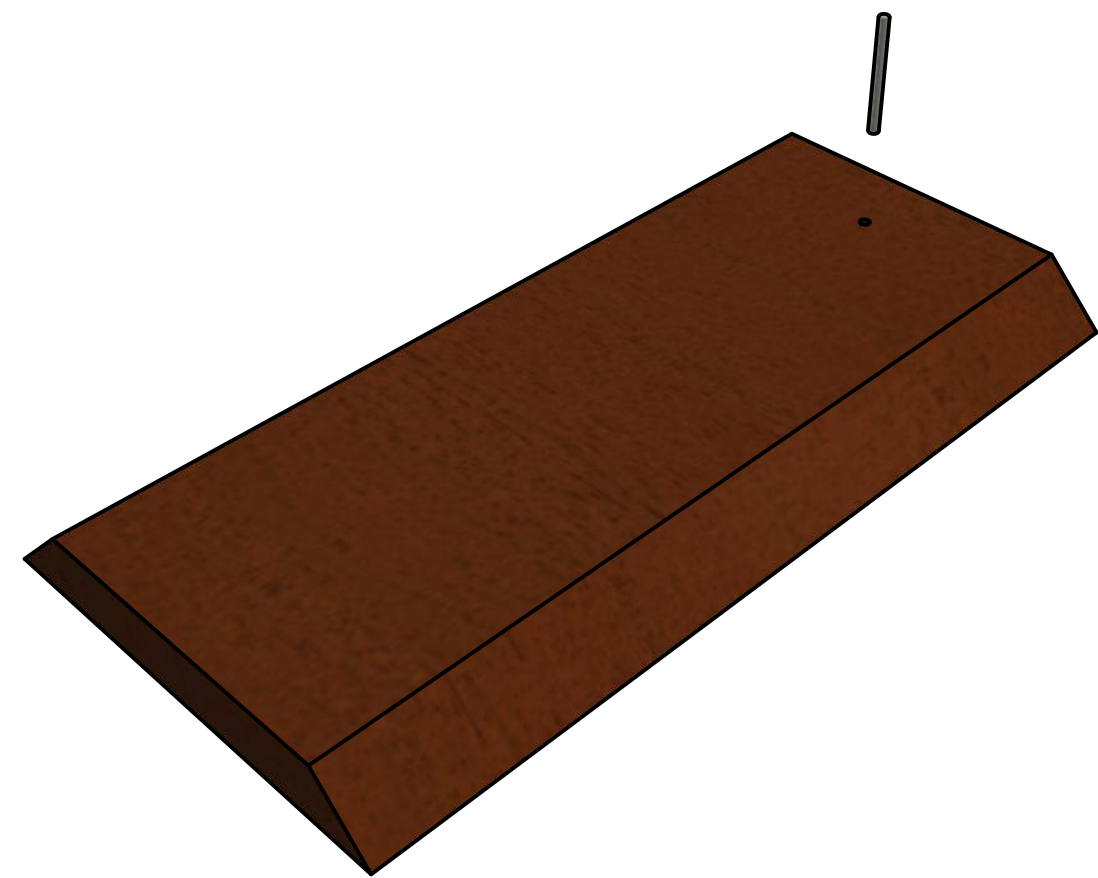


DRAWN Kevin Culver	6/29/2019	https://kevswoodworks.com		
CHECKED		MyBenchTime@gmail.com		
QA		TITLE		
MFG		Circle Jig		
APPROVED		SIZE	DWG NO	REV
		D	Circle_Jig_Assy	
		SCALE	.5	SHEET 2 OF 8



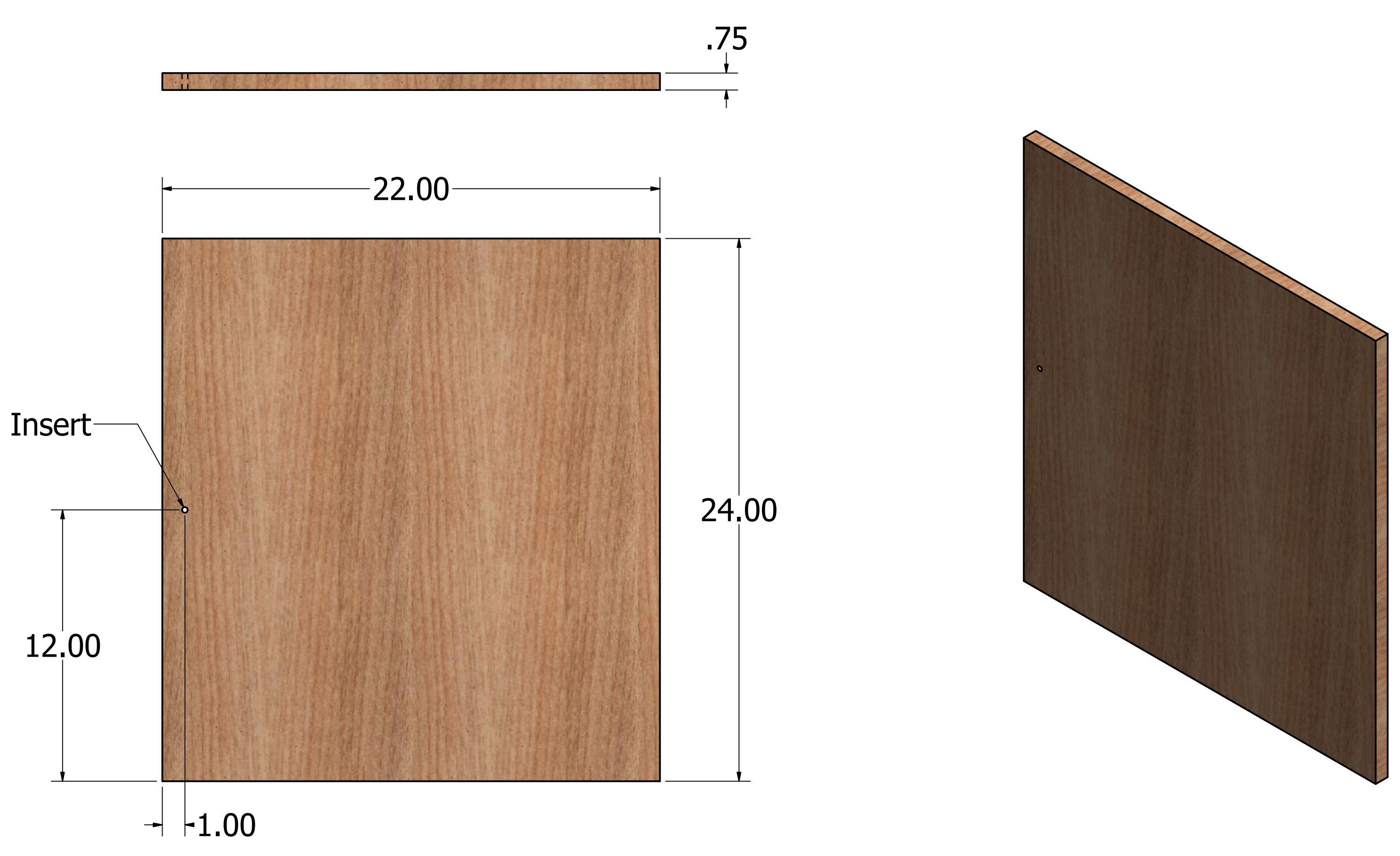
BASE ASSEMBLY

DRAWN Kevin Culver	6/29/2019	https://kevswoodworks.com MyBenchTime@gmail.com		
CHECKED		TITLE		
QA		Circle Jig		
MFG				
APPROVED		SIZE	DWG NO	REV
		D	Circle_Jig_Assy	
		SCALE	.25	SHEET 3 OF 8



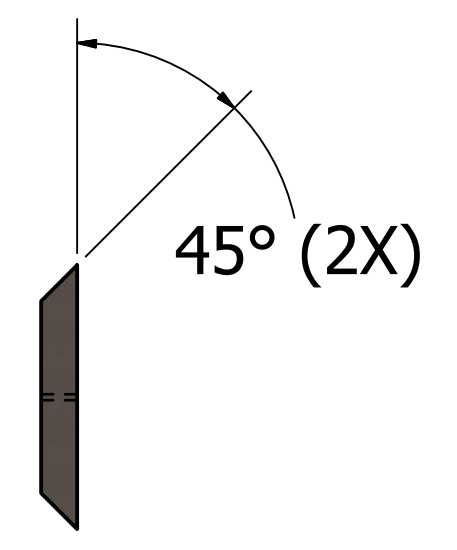
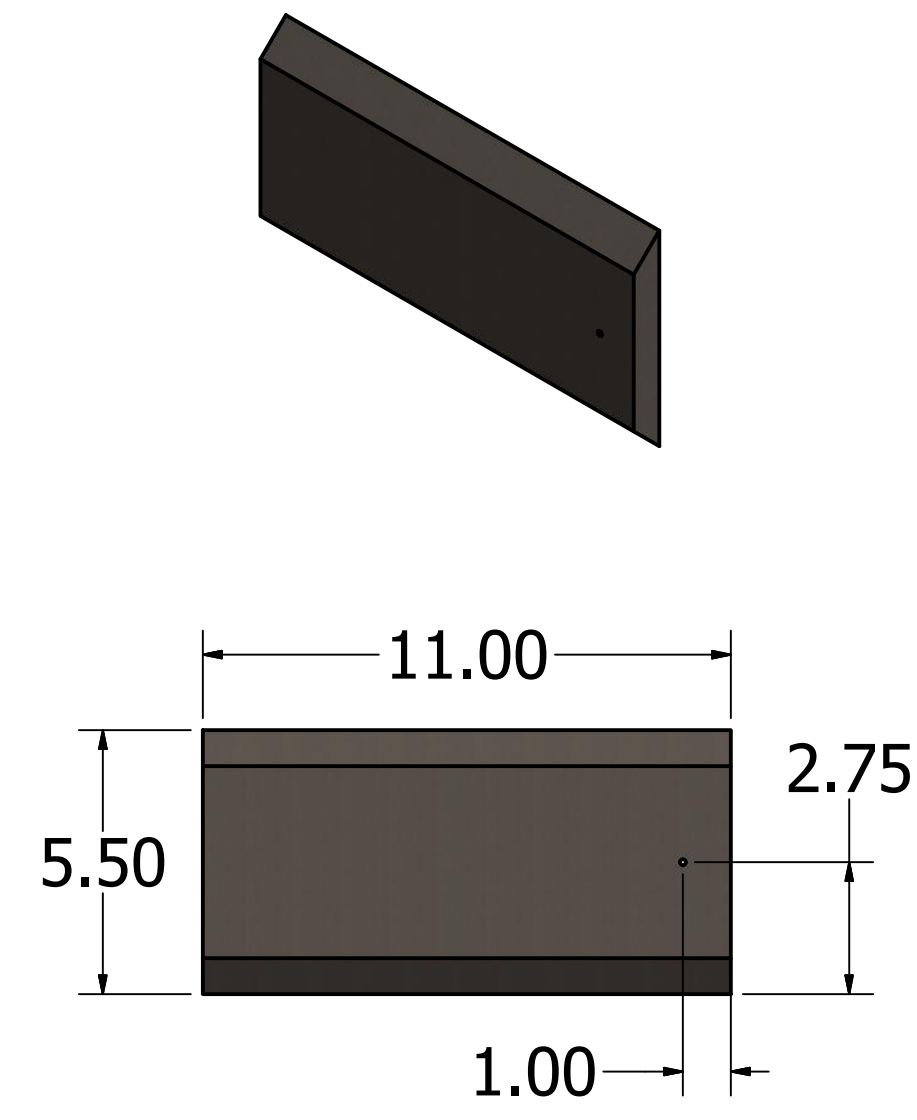
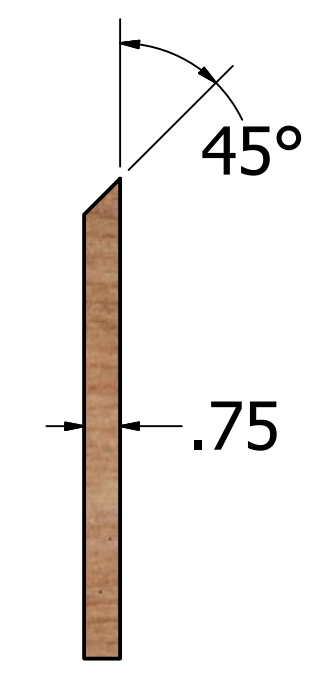
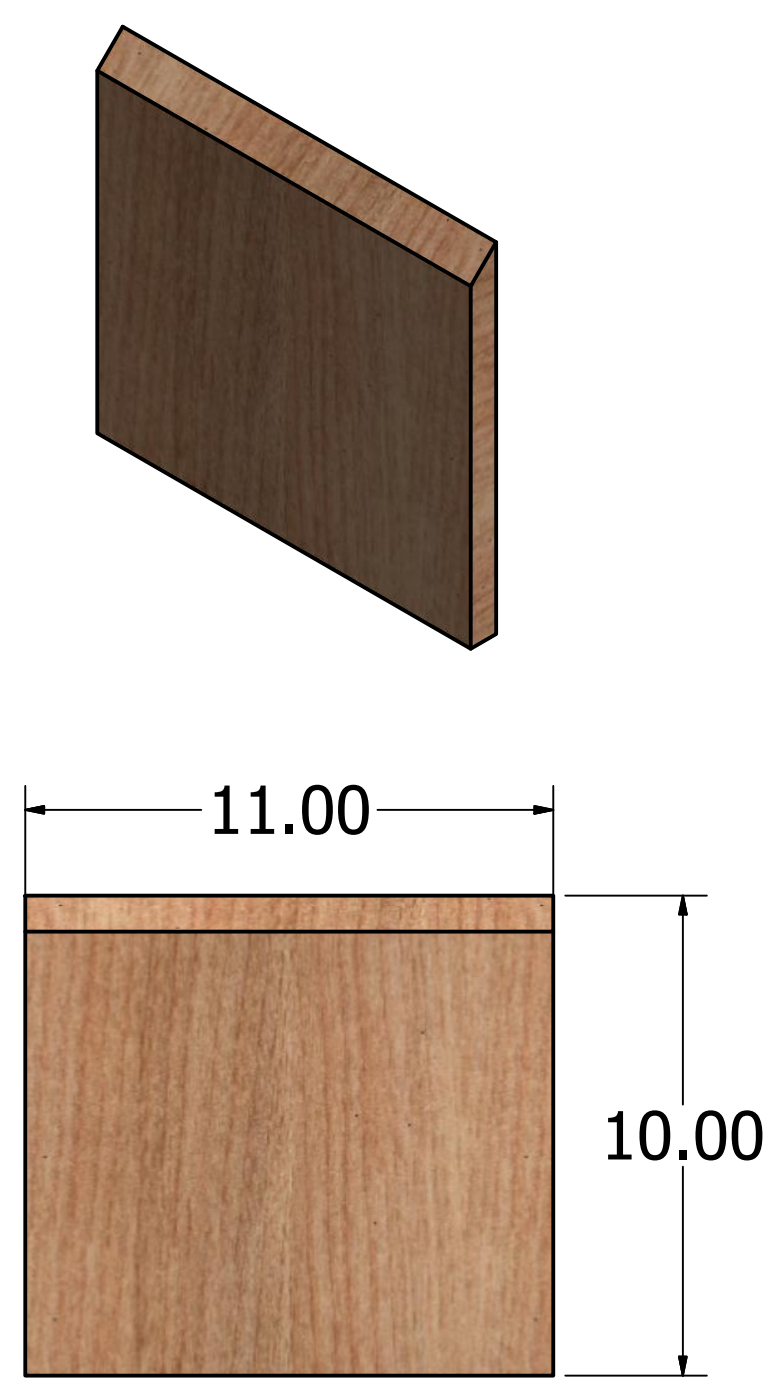
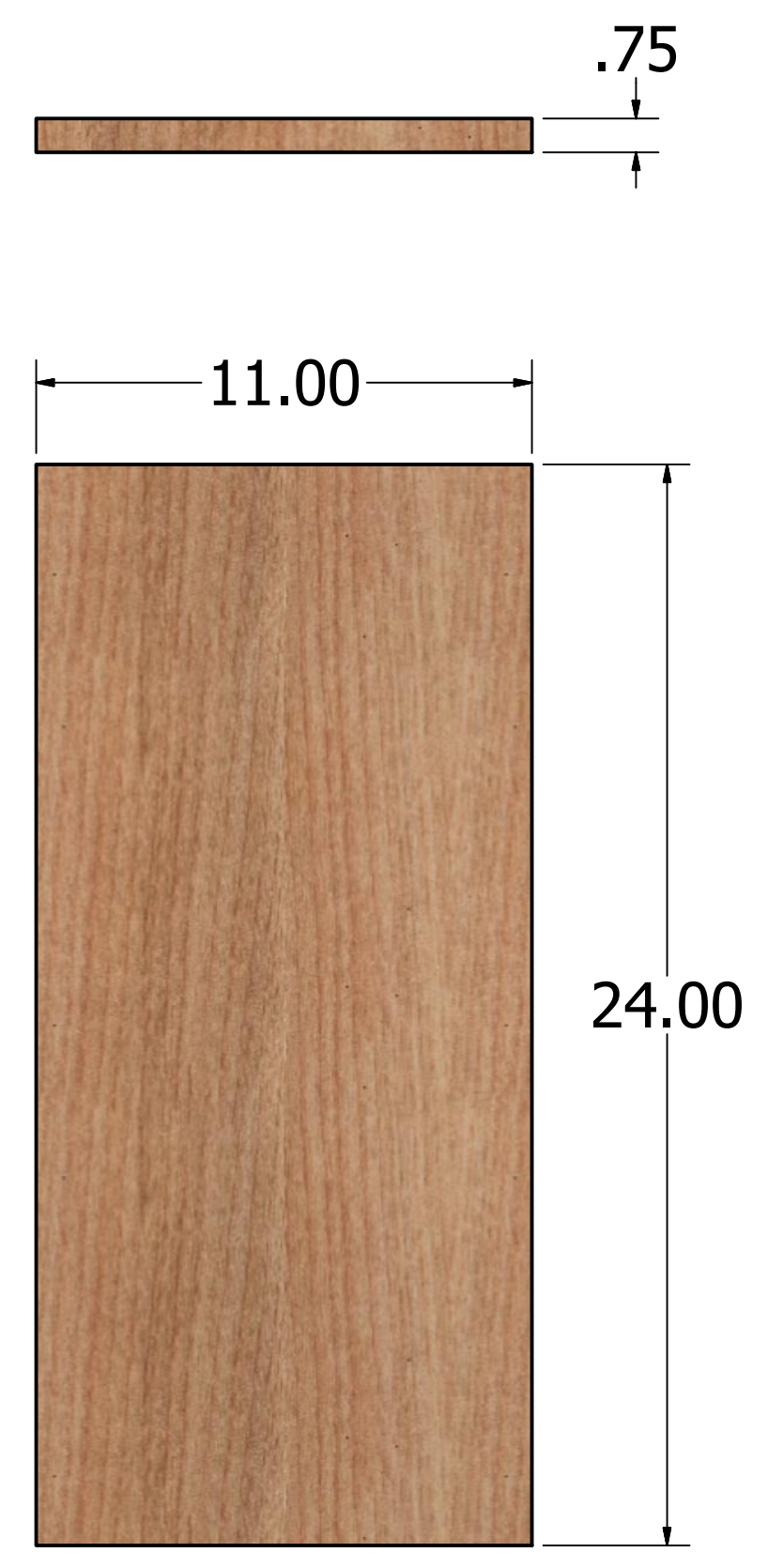
SLIDE

DRAWN Kevin Culver	6/29/2019	https://kevswoodworks.com		
CHECKED		MyBenchTime@gmail.com		
QA		TITLE		
MFG		Circle Jig		
APPROVED		SIZE	DWG NO	REV
		D	Circle_Jig_Assy	
SCALE 1 / 2		SHEET 4 OF 8		



BASE BOTTOM

DRAWN Kevin Culver	6/29/2019	https://kevswoodworks.com		
CHECKED		MyBenchTime@gmail.com		
QA		TITLE		
MFG		Circle Jig		
APPROVED		SIZE	DWG NO	REV
		D	Circle_Jig_Assy	
		SCALE	.25	SHEET 5 OF 8



BASE UPPER PARTS

DRAWN Kevin Culver	6/29/2019	https://kevswoodworks.com MyBenchTime@gmail.com		
CHECKED		TITLE		
QA		Circle Jig		
MFG		SIZE	DWG NO	REV
APPROVED		D	Circle_Jig_Assy	
		SCALE	.25	SHEET 6 OF 8



8 7 6 5 4 3 2 1

D

D

C

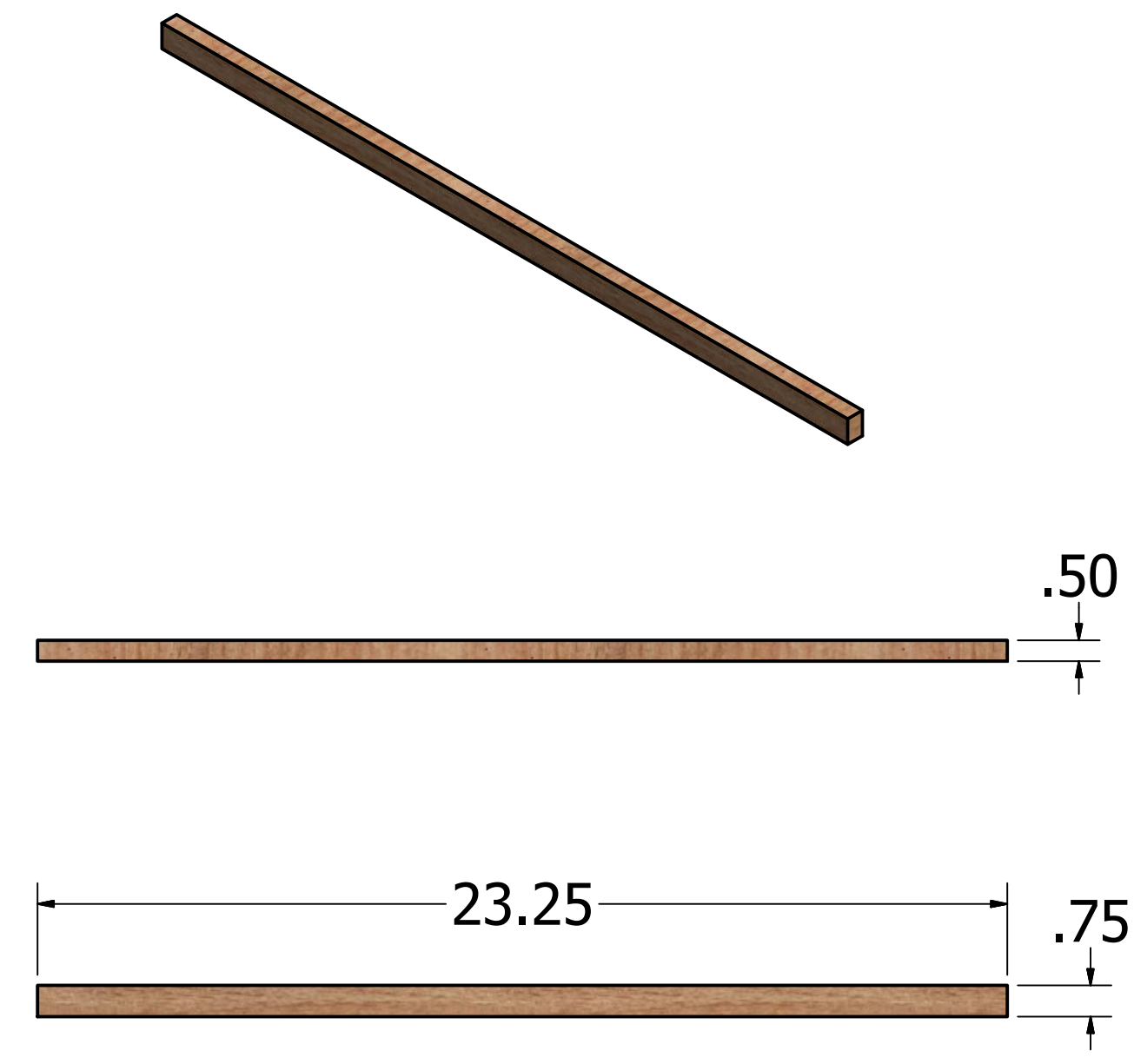
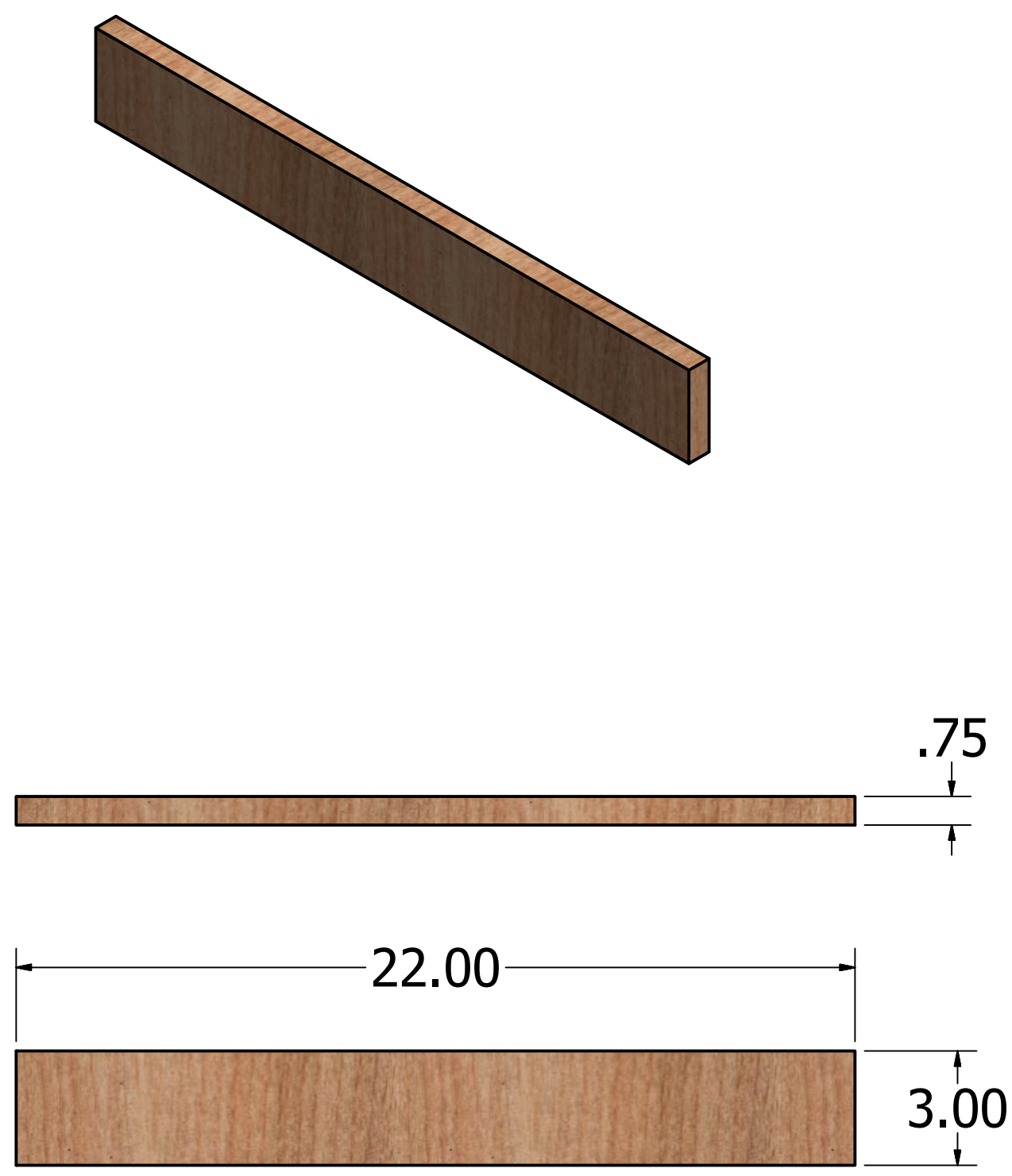
C

B

B

A

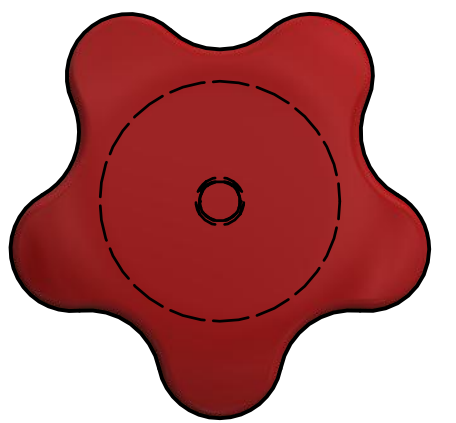
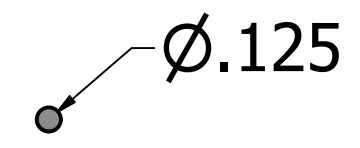
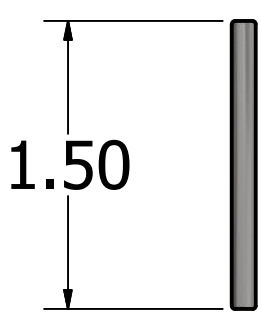
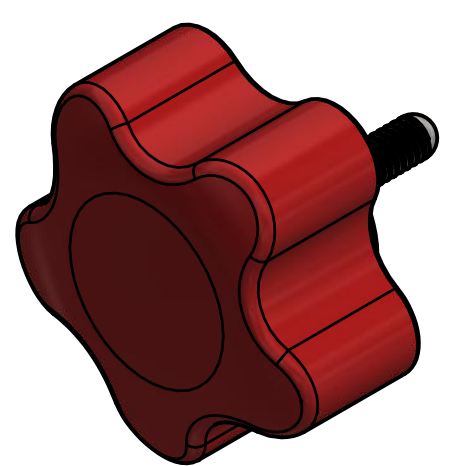
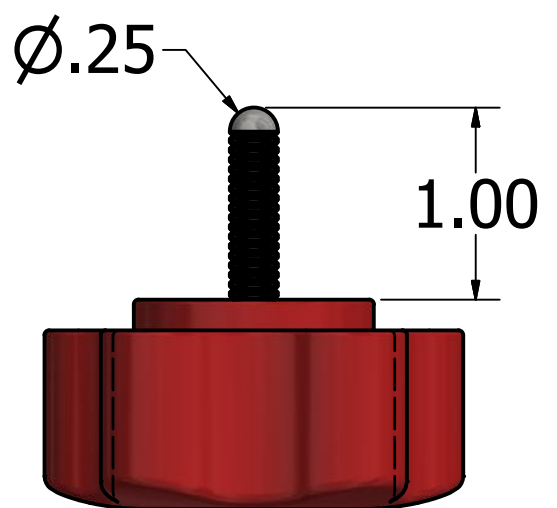
A



FENCE AND RUNNER

DRAWN Kevin Culver	6/29/2019	https://kevswoodworks.com MyBenchTime@gmail.com		
CHECKED		TITLE		
QA		Circle Jig		
MFG		SIZE	DWG NO	REV
APPROVED		D	Circle_Jig_Assy	
		SCALE	.25	SHEET 7 OF 8

8 7 6 5 4 3 2 1



HARDWARE

DRAWN Kevin Culver	6/29/2019	https://kevswoodworks.com		
CHECKED		MyBenchTime@gmail.com		
QA		TITLE		
MFG		Circle Jig		
APPROVED		SIZE	DWG NO	REV
		D	Circle_Jig_Assy	
		SCALE	1	SHEET 8 OF 8