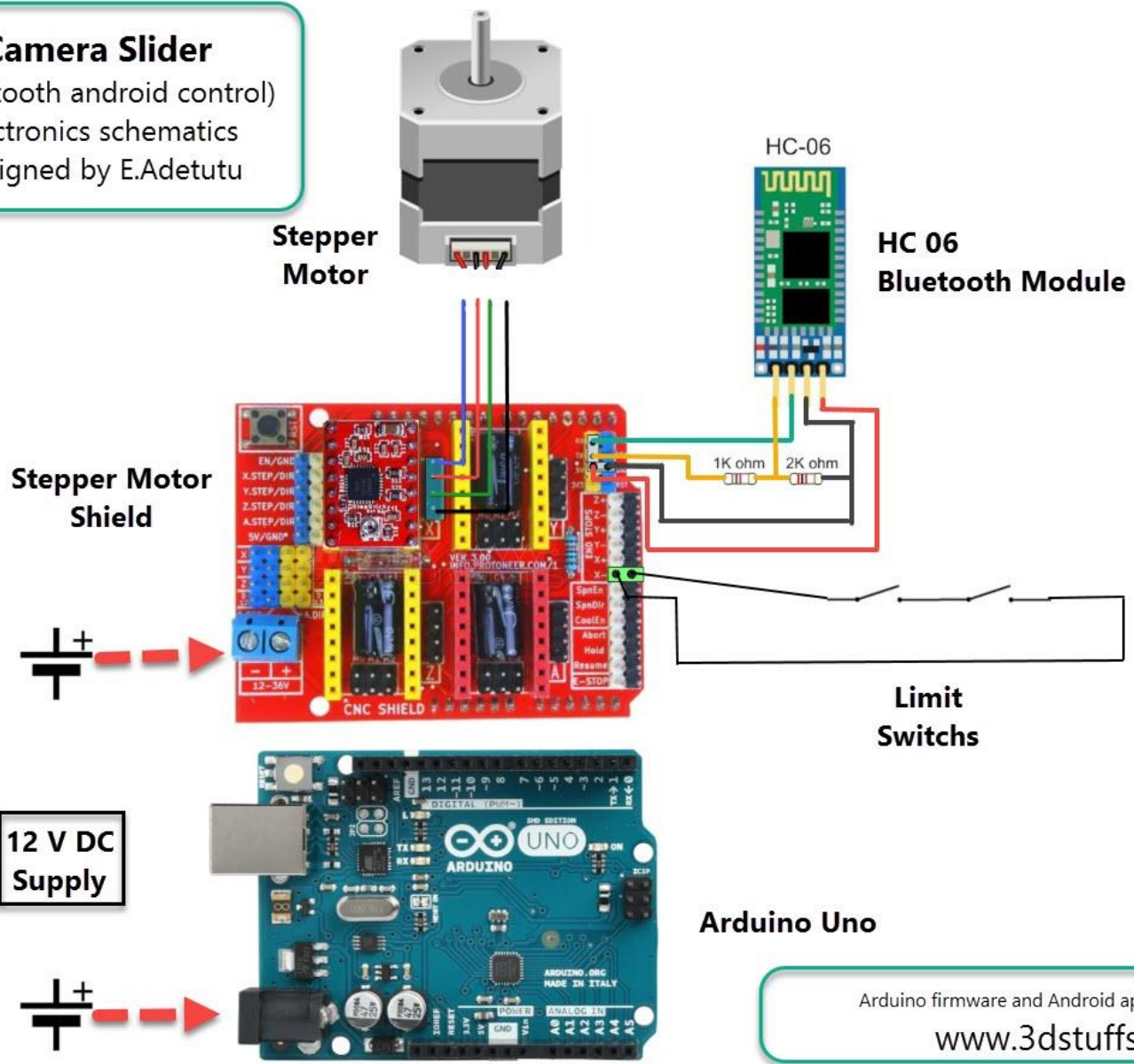


Camera Slider
(Bluetooth android control)
Electronics schematics
Designed by E.Adetutu



Arduino firmware and Android app available at
www.3dstuffs.nl

