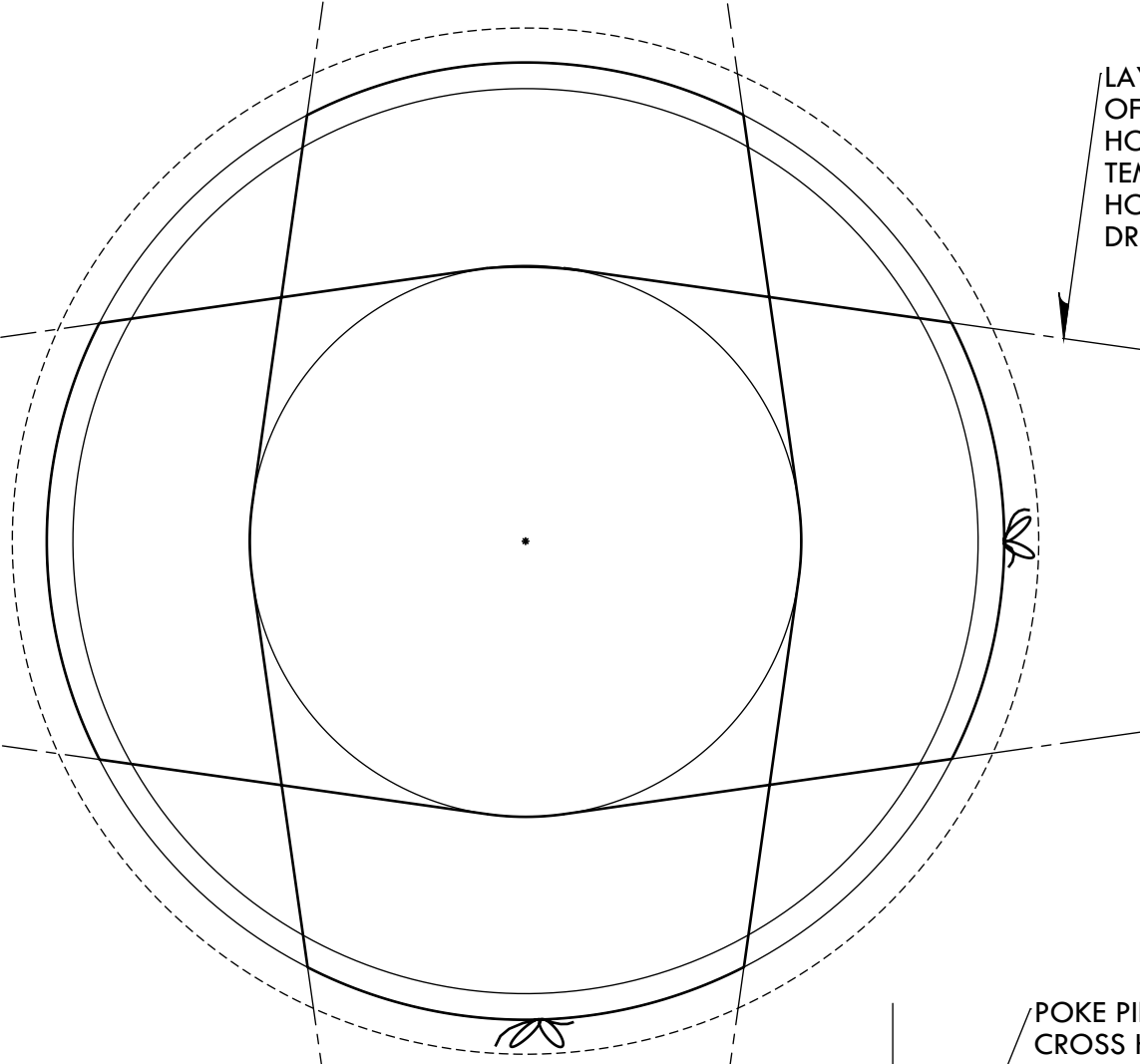


# TIN CAN MICROPHONE HOLE DRILLING TEMPLATE



**ZEPPELIN DESIGN LABS, LLC**  
2950 N WESTERN AVE CHICAGO IL 60618  
WWW.ZEPPELINDESIGNLABS.COM

LAY THE INNER HOOP OF A 5" EMBROIDERY HOOP ON THIS TEMPLATE. MARK A HOLE AT EACH LINE. DRILL 9/64" HOLES.



CENTER THE CAN BOTTOM AND USE THIS LINE TO MARK A HOLE 1/2" ABOVE LOWER BEAD. DRILL 3/8" DIA HOLE.

POKE PINHOLES AT THIS CROSS HAIR, AND AT CENTER. CAREFULLY CENTER THE BOTTOM OF THE CAN. DRILL TWO 9/64" HOLES.

PLACE CAN UPSIDE DOWN ON TEMPLATE AND USE THESE SIX LINES TO MARK HOLES 7/8" UP.

