

3D PRINTABLE MODEL

DIESEL-02

EUROREPRAP.EU

03.2015

FDM process optimized:

- no print support needed
- small printers: 15x15 cm bed sizes are OK
- optimal for 0.4 mm nozzles
- recommended printing speed: 50 mm/s
- print layer height: 0.2mm (best detail: 0.15mm)

Assembly optimized:

- no metal parts or additional components needed
- just glue, nail file and 1.75mm filament are used during assembly

Compatibility:

- this model is a part of "Euroreprap Railroad Collection" which is a system consisting of trains, tracks and other railway objects.
- it also fits together with regular LEGO tracks
- dimensions of completed model: 323x134x72 mm (12.72x5.28x2.83 in)
- you can scale this model to match the track sizes of popular model scales
- approx scaling factors are: for scale "0" - 0.847 (32mm tracks) and for scale "G" - 1.19 (45mm tracks) NOTE: for scale "G" printer bed minimum size is 18x18cm.

EUROREPRAP
RAILROAD
COLLECTION



Availability:

- www.ponoko.com/showroom/EUROREPRAP-EU
- for other than PayPal payment forms and discounts please first contact us by email: contact@euroreprap.eu

ASSEMBLY



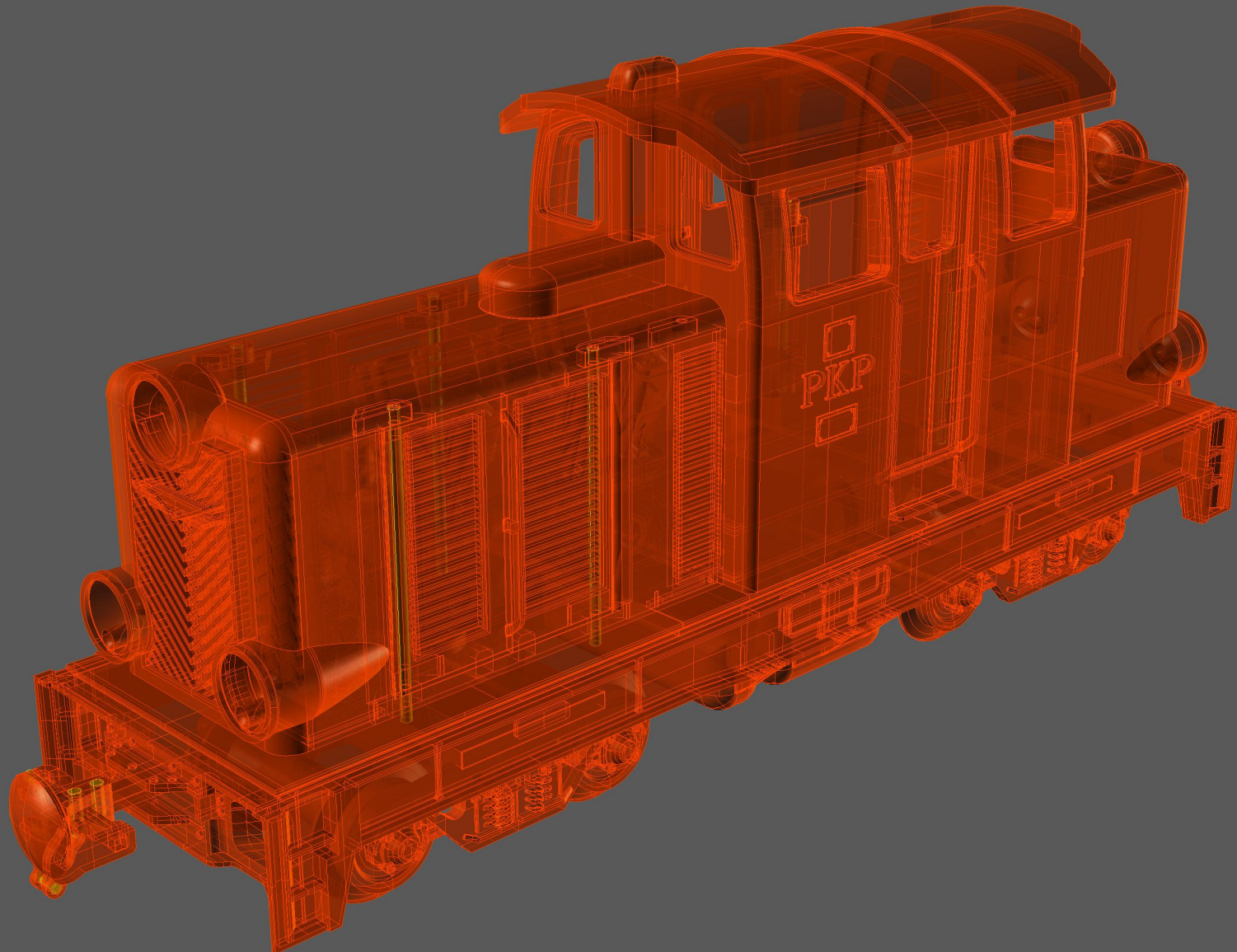
E-mail and website
contact@euroreprap.eu
www.euroreprap.eu

3D PRINTABLE
MODEL

DIESEL-02

03.2015

EUROREPRAP.EU

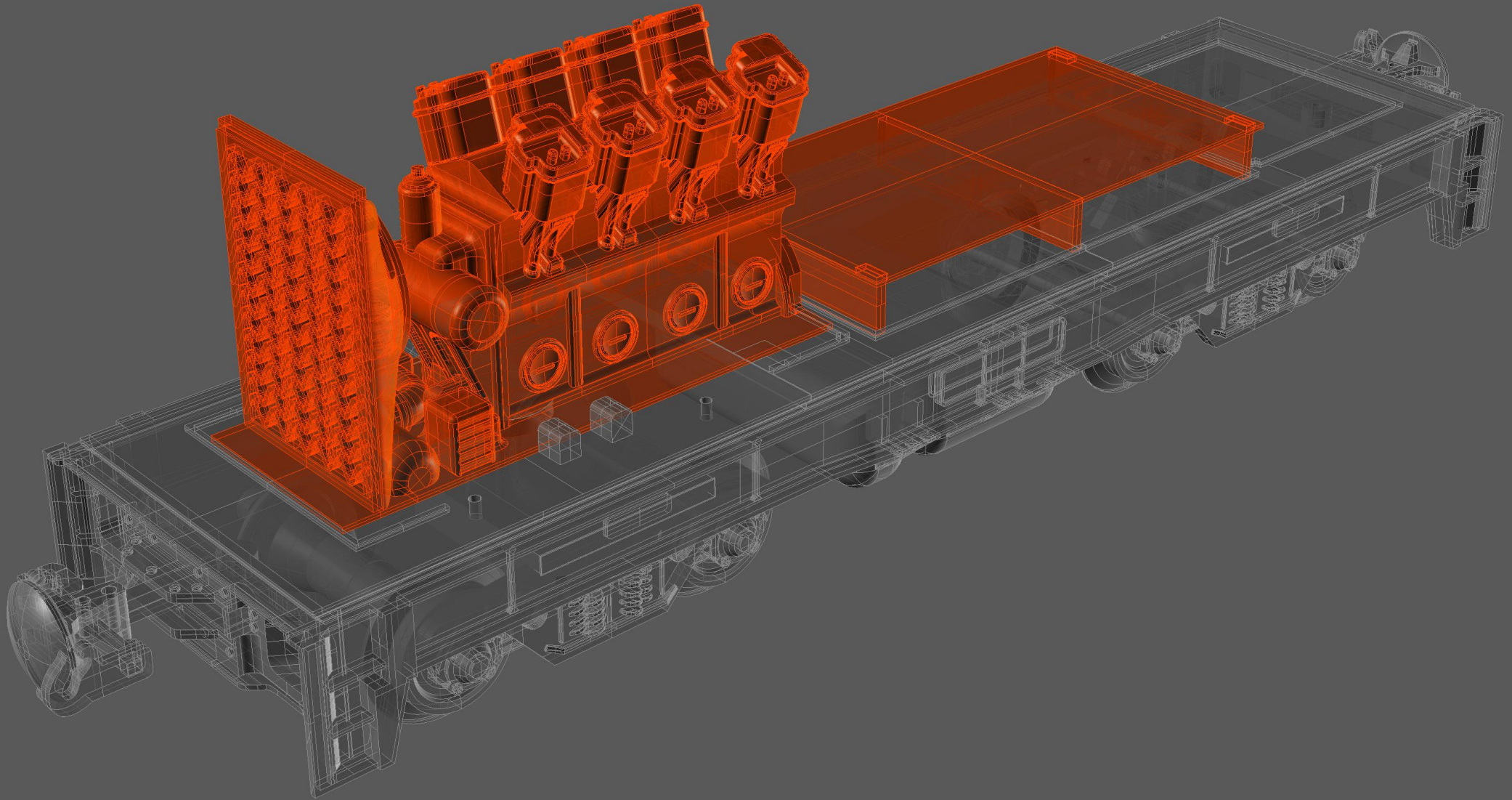


3D PRINTABLE MODEL

DIESEL-02

03.2015

EUROREPRAP.EU

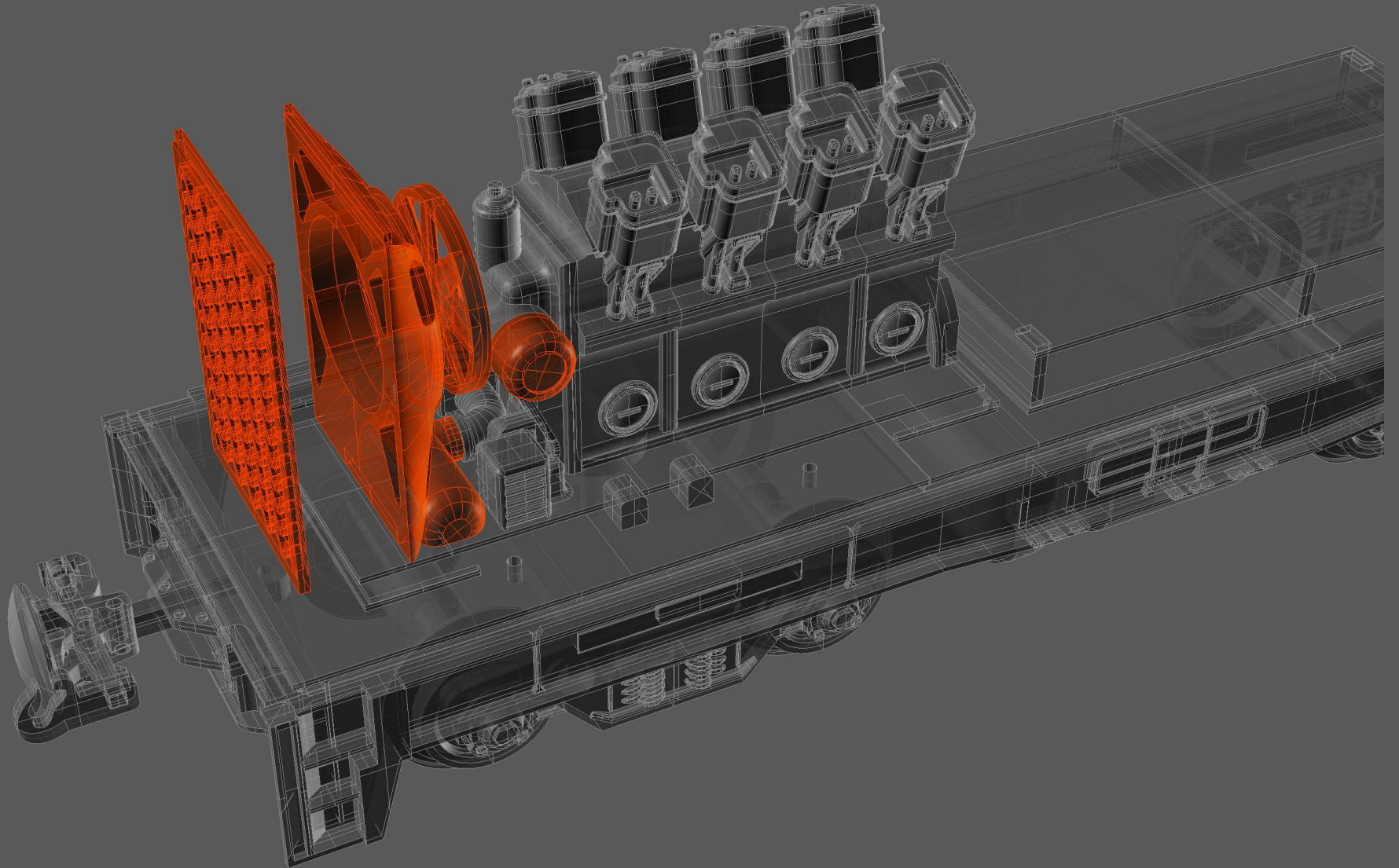


3D PRINTABLE MODEL

DIESEL-02

03.2015

EUROREPRAP.EU

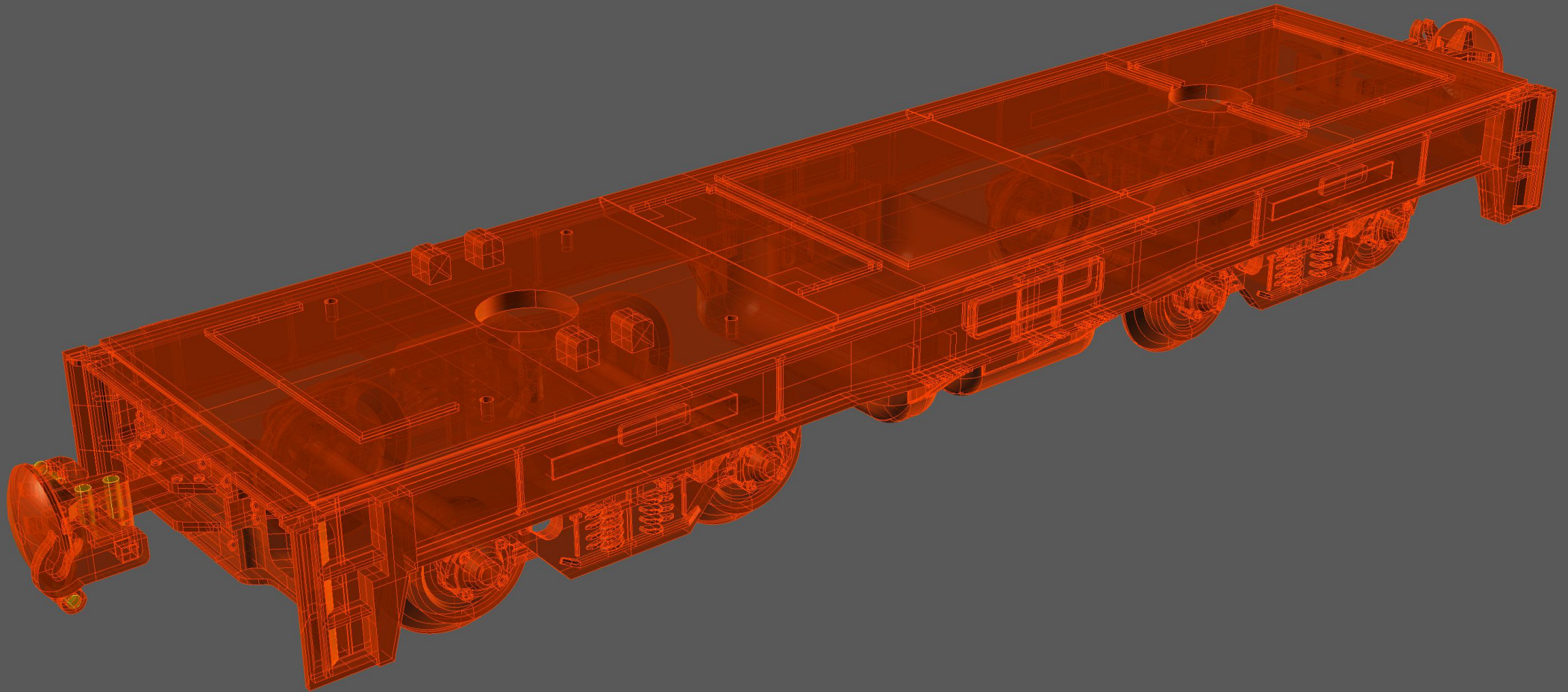


3D PRINTABLE
MODEL

DIESEL-02

03.2015

EUROREPRAP.EU

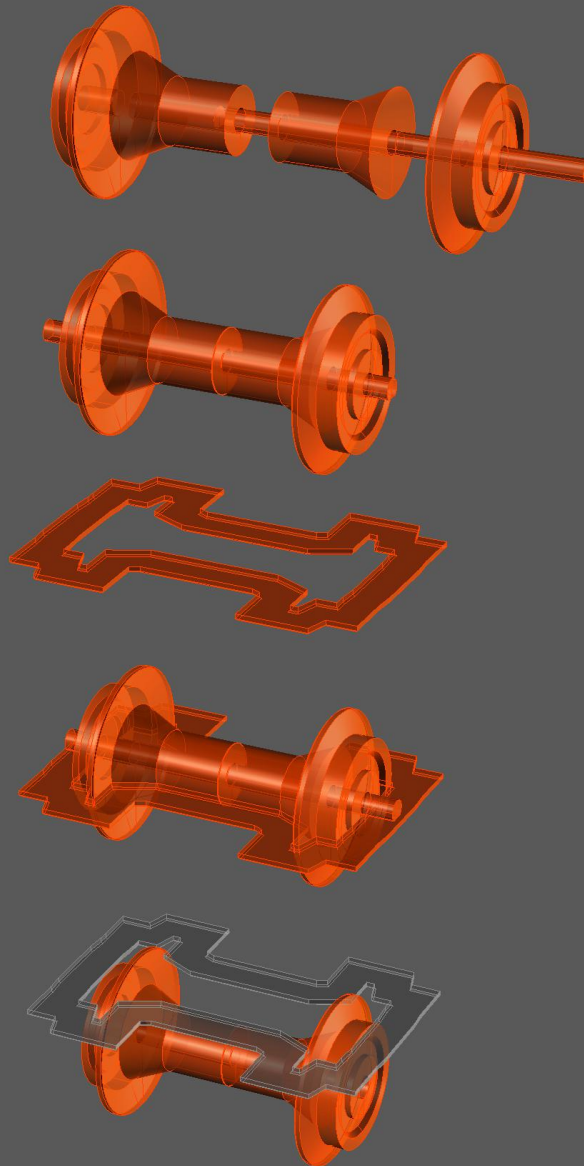


3D PRINTABLE MODEL

DIESEL-02

03.2015

EUROREPRAP.EU

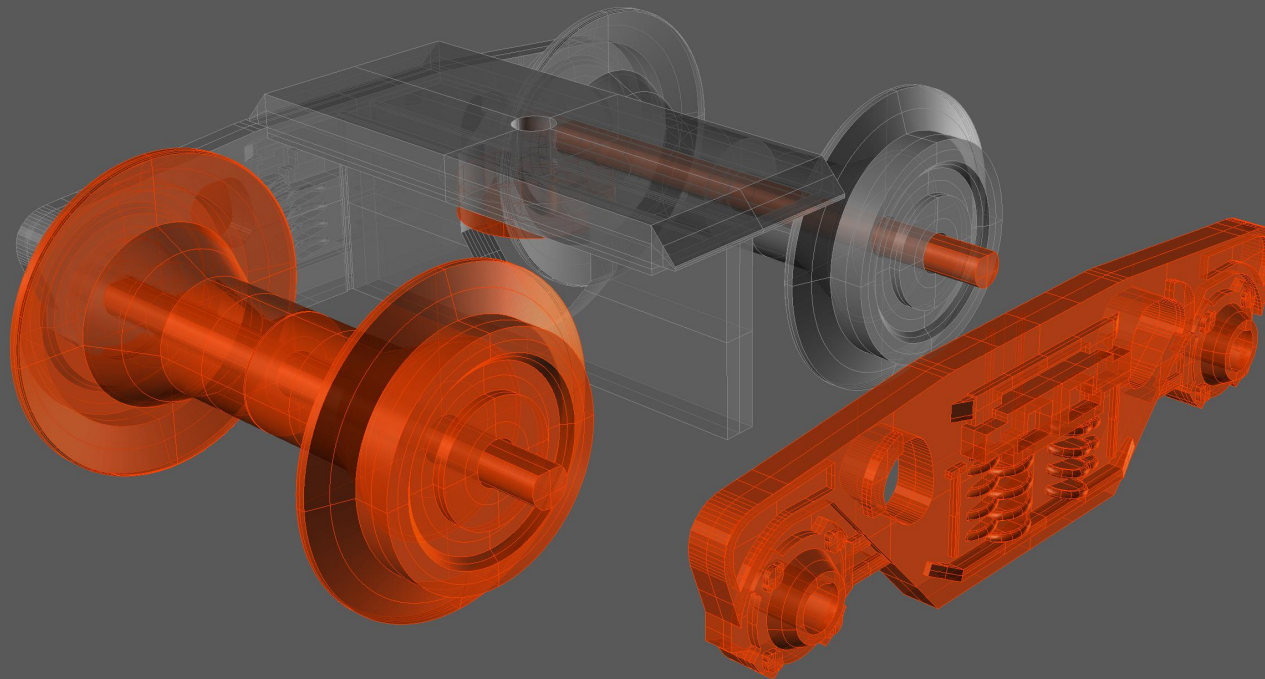
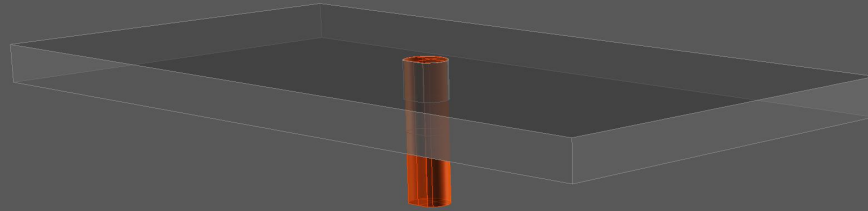


3D PRINTABLE MODEL

DIESEL-02

03.2015

EUROREPAR.EU

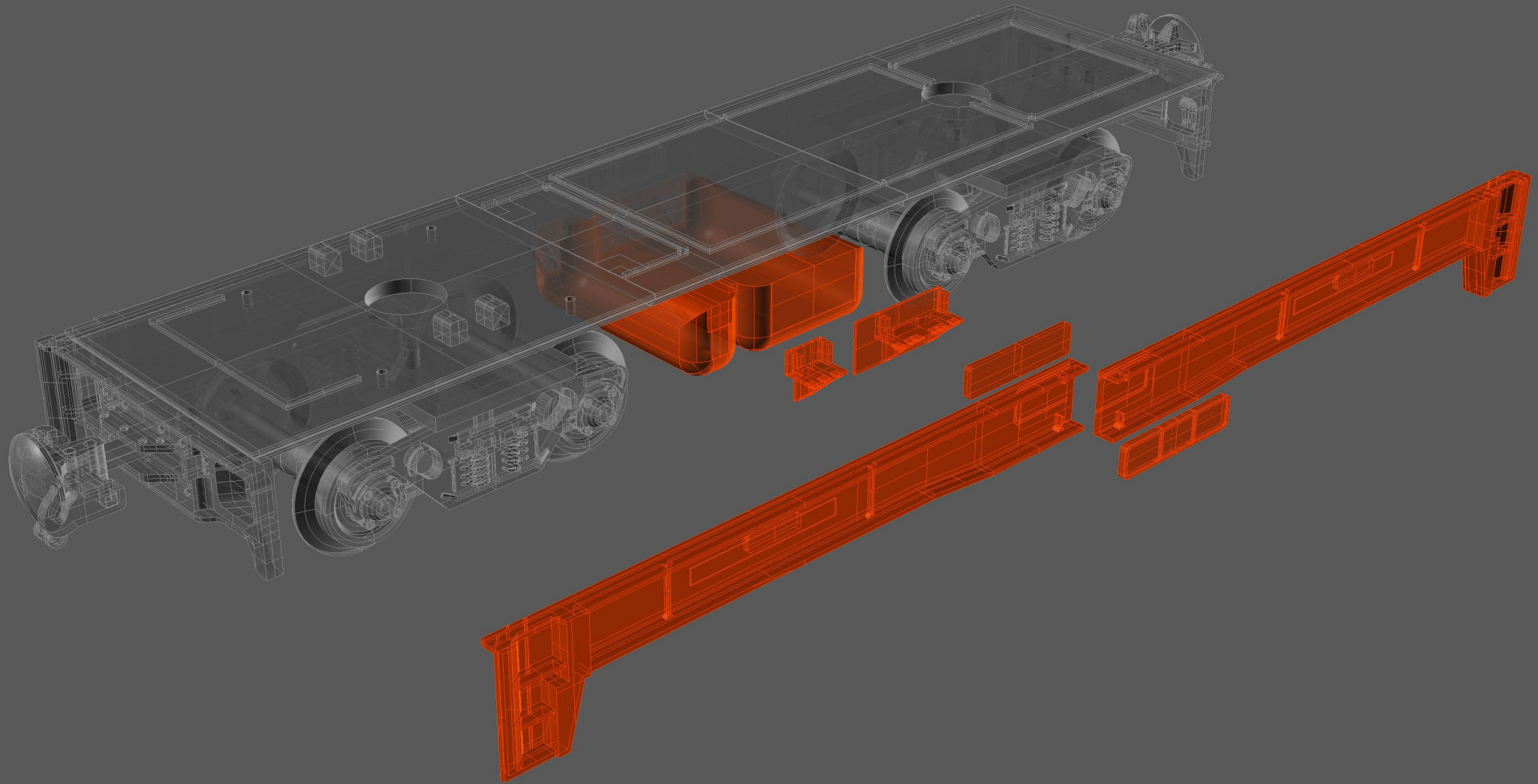


3D PRINTABLE MODEL

DIESEL-02

03.2015

EUROREPRAP.EU

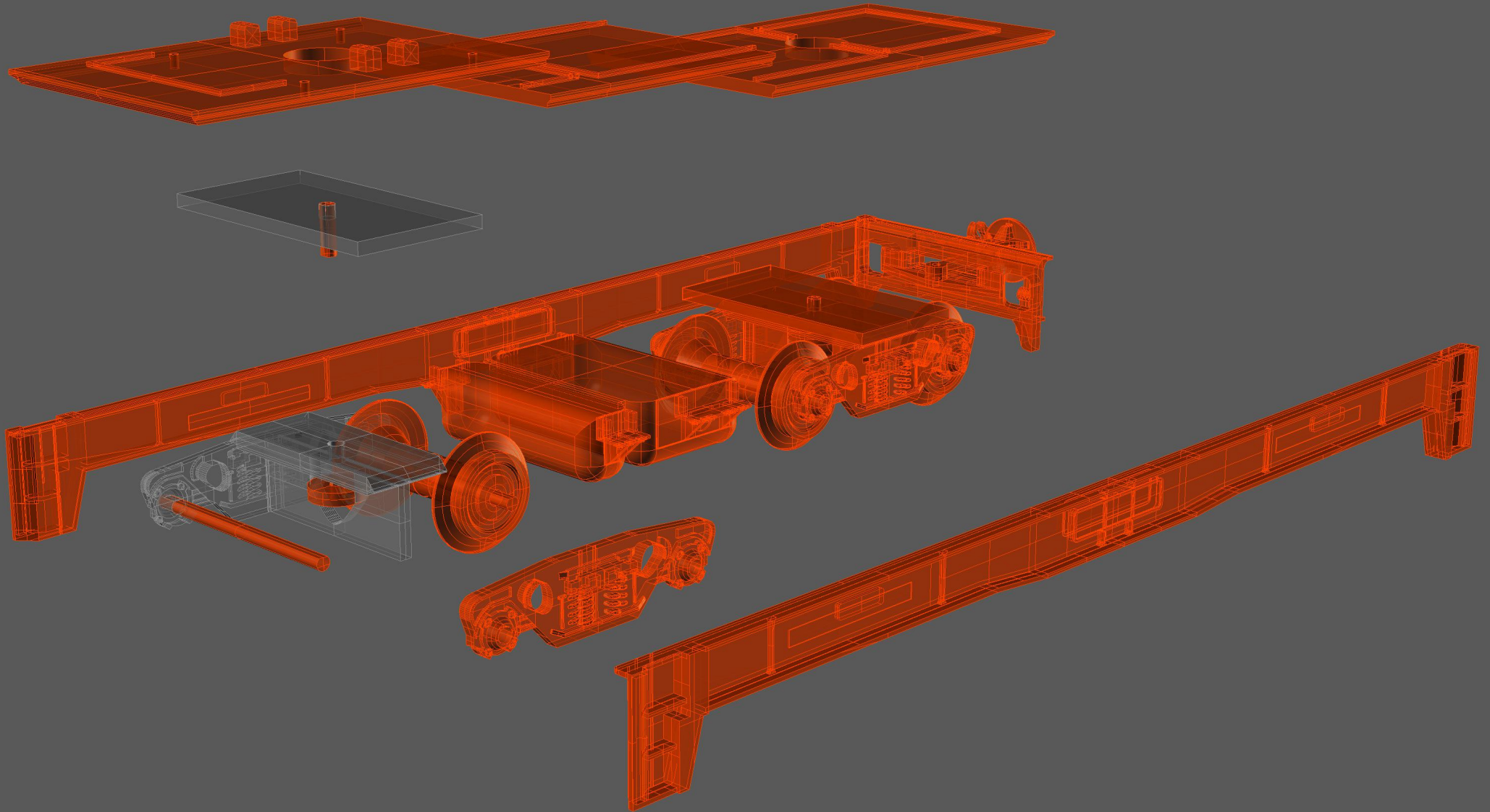


3D PRINTABLE MODEL

DIESEL-02

03.2015

EUROREPRAP.EU

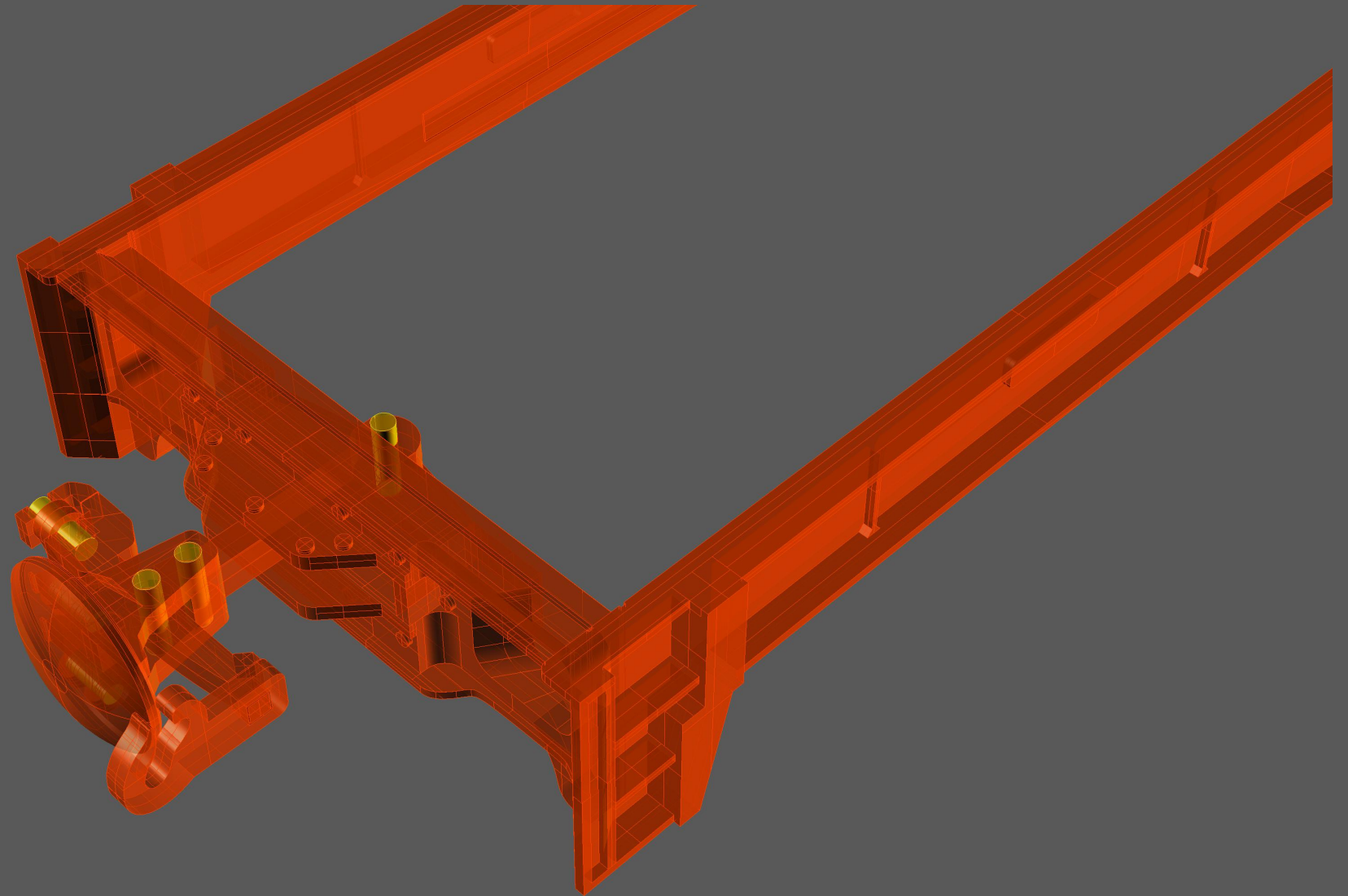


3D PRINTABLE
MODEL

DIESEL-02

03.2015

EUROREPRAP.EU

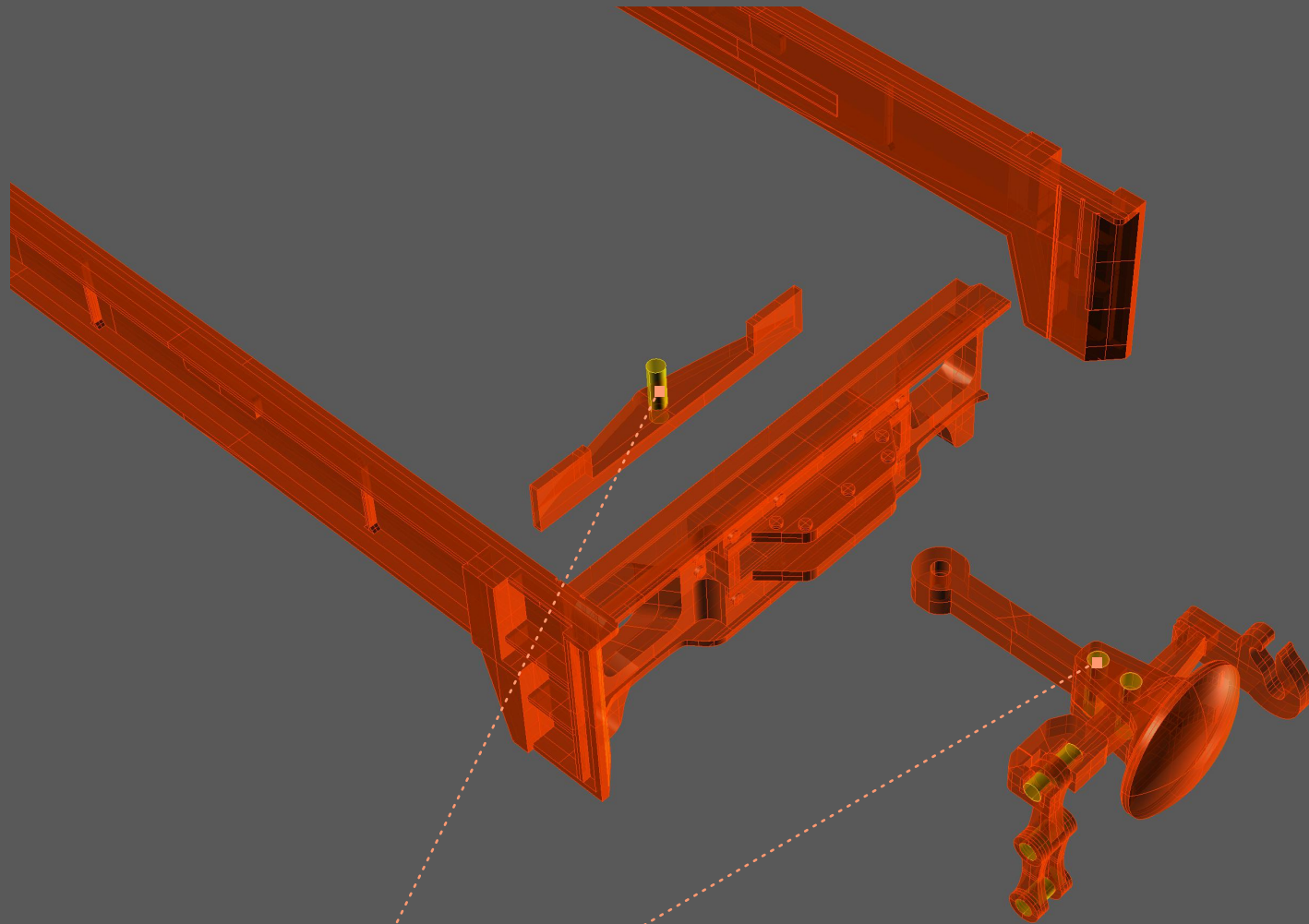


3D PRINTABLE MODEL

DIESEL-02

03.2015

EUROREPRAP.EU



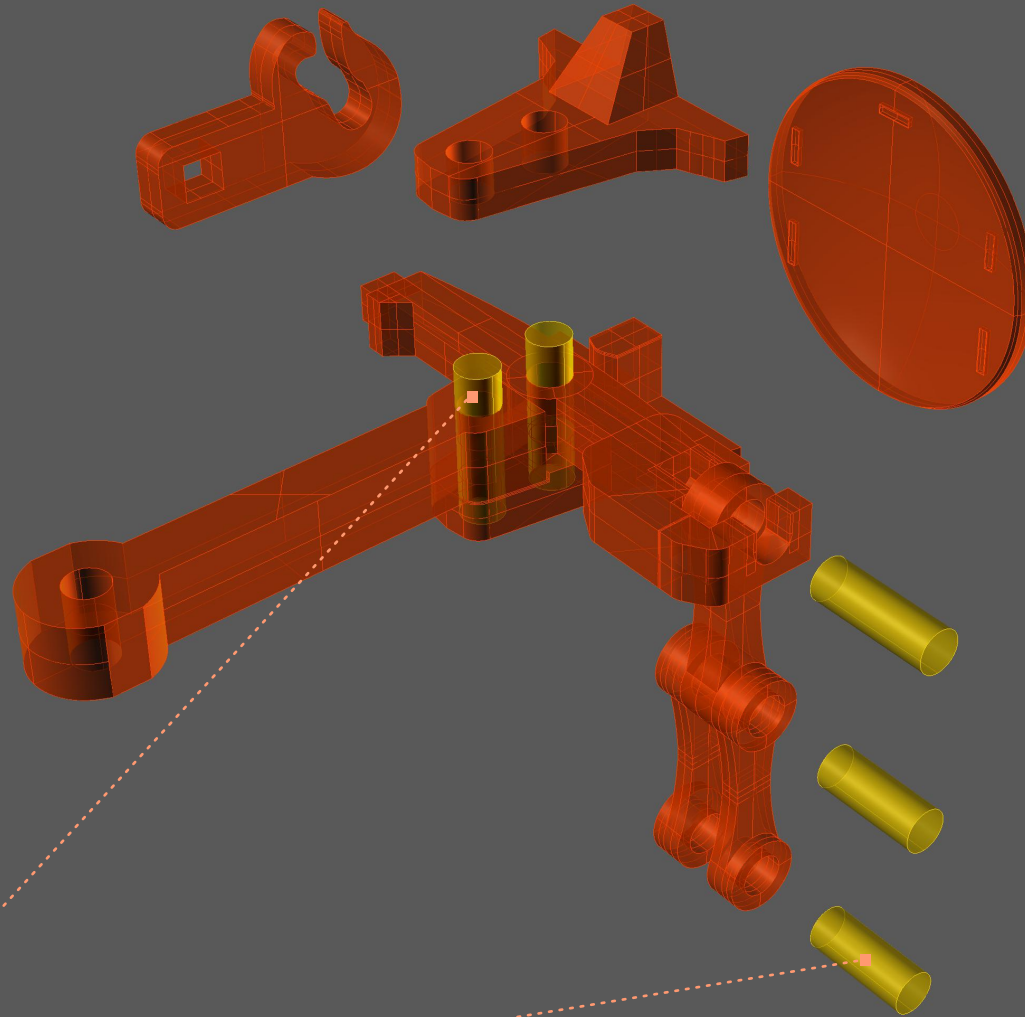
1.75 mm filament

3D PRINTABLE MODEL

DIESEL-02

03.2015

EUROREPRAP.EU



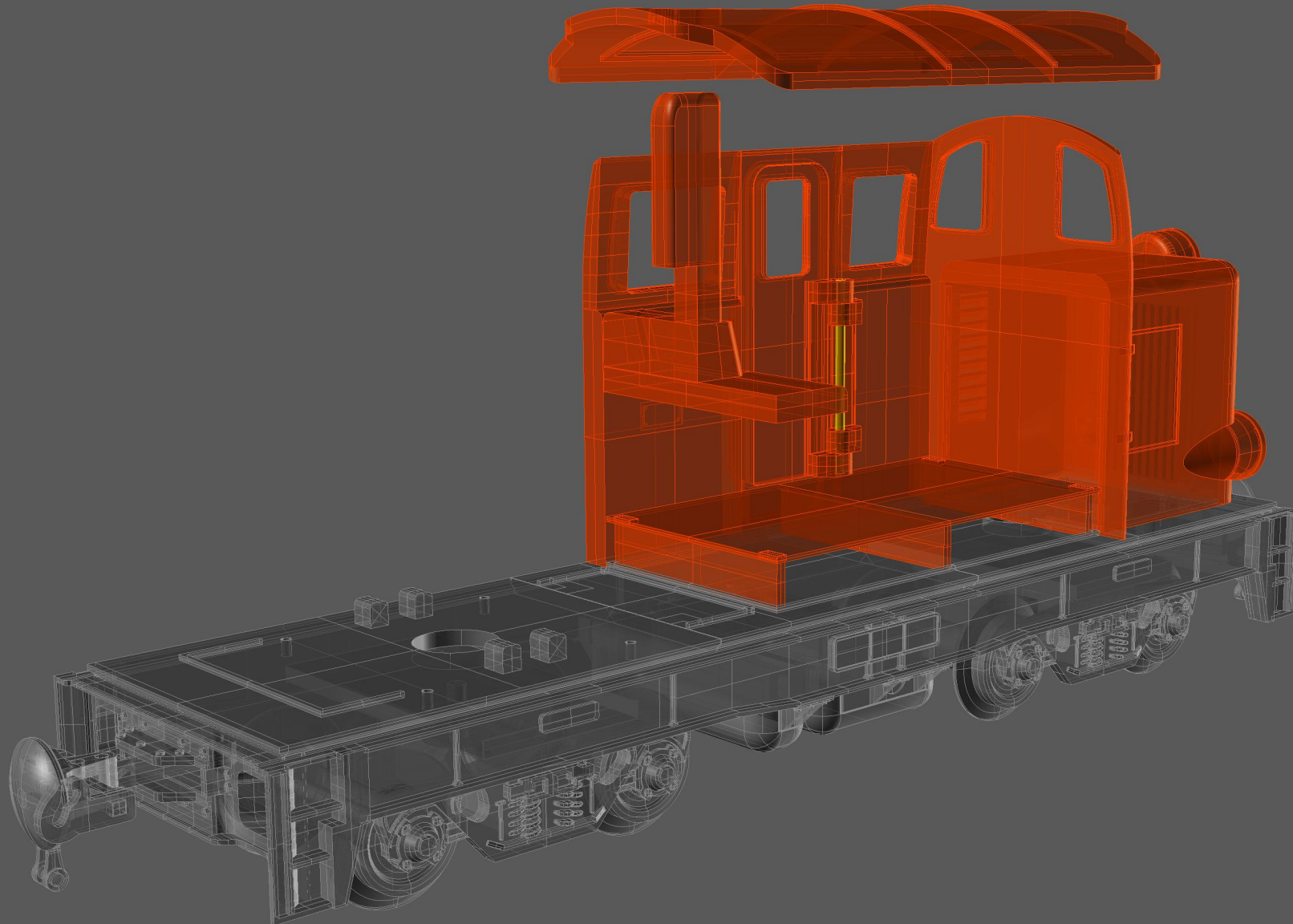
1.75 mm filament

3D PRINTABLE MODEL

DIESEL-02

03.2015

EUROREPRAP.EU

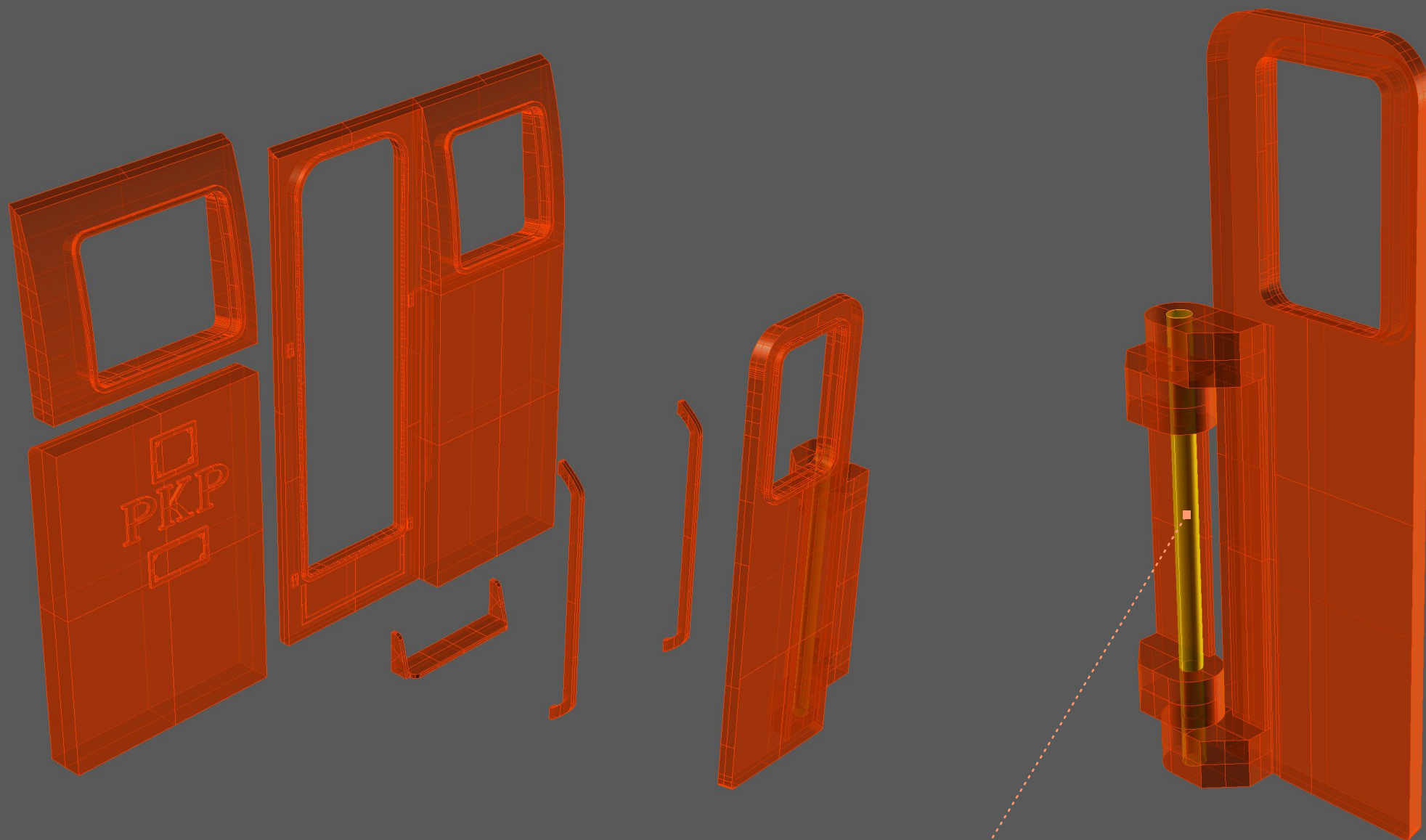


3D PRINTABLE MODEL

DIESEL-02

03.2015

EUROREPRAP.EU

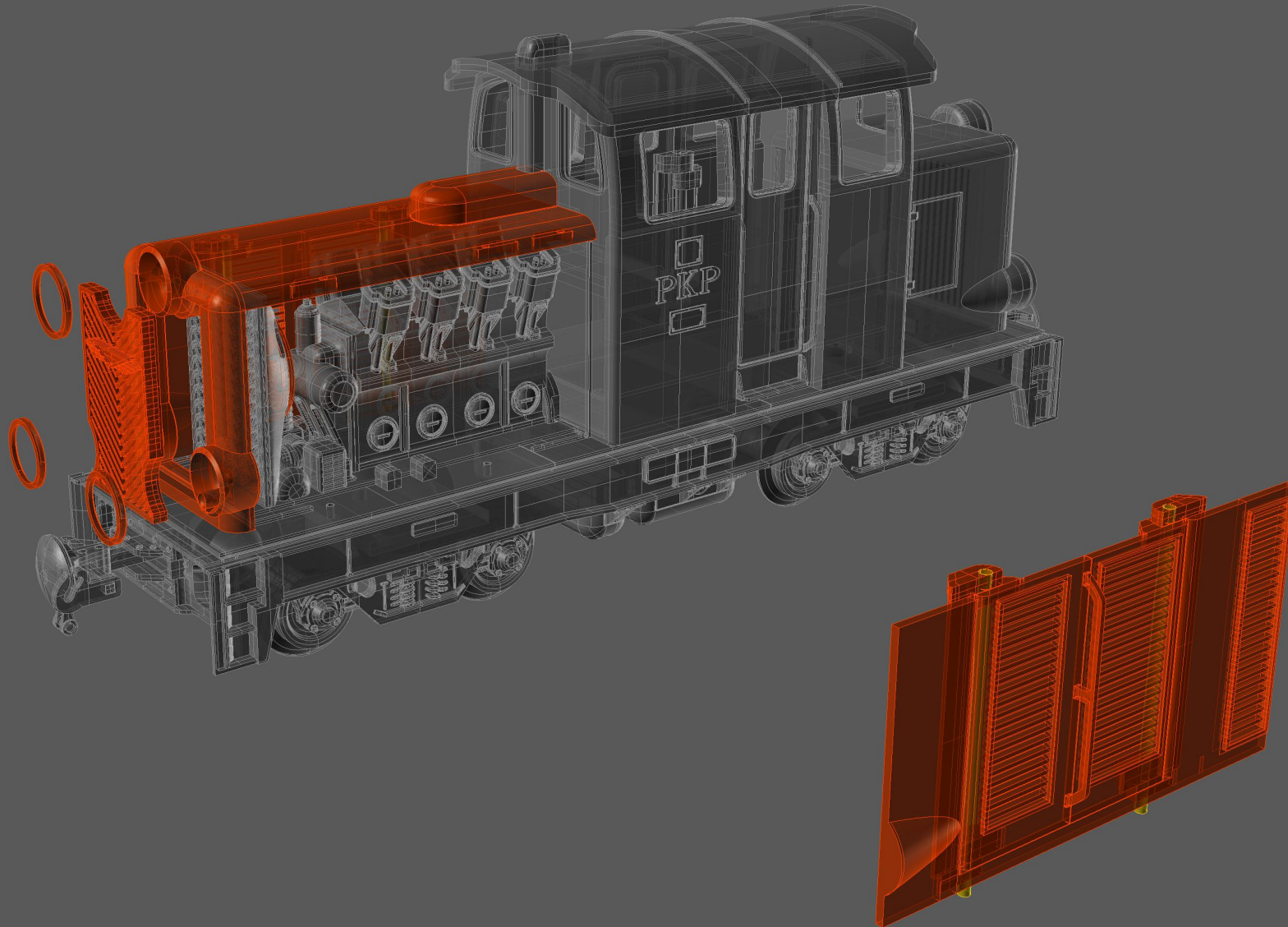


1.75 mm filament

3D PRINTABLE
MODEL

DIESEL-02

03.2015

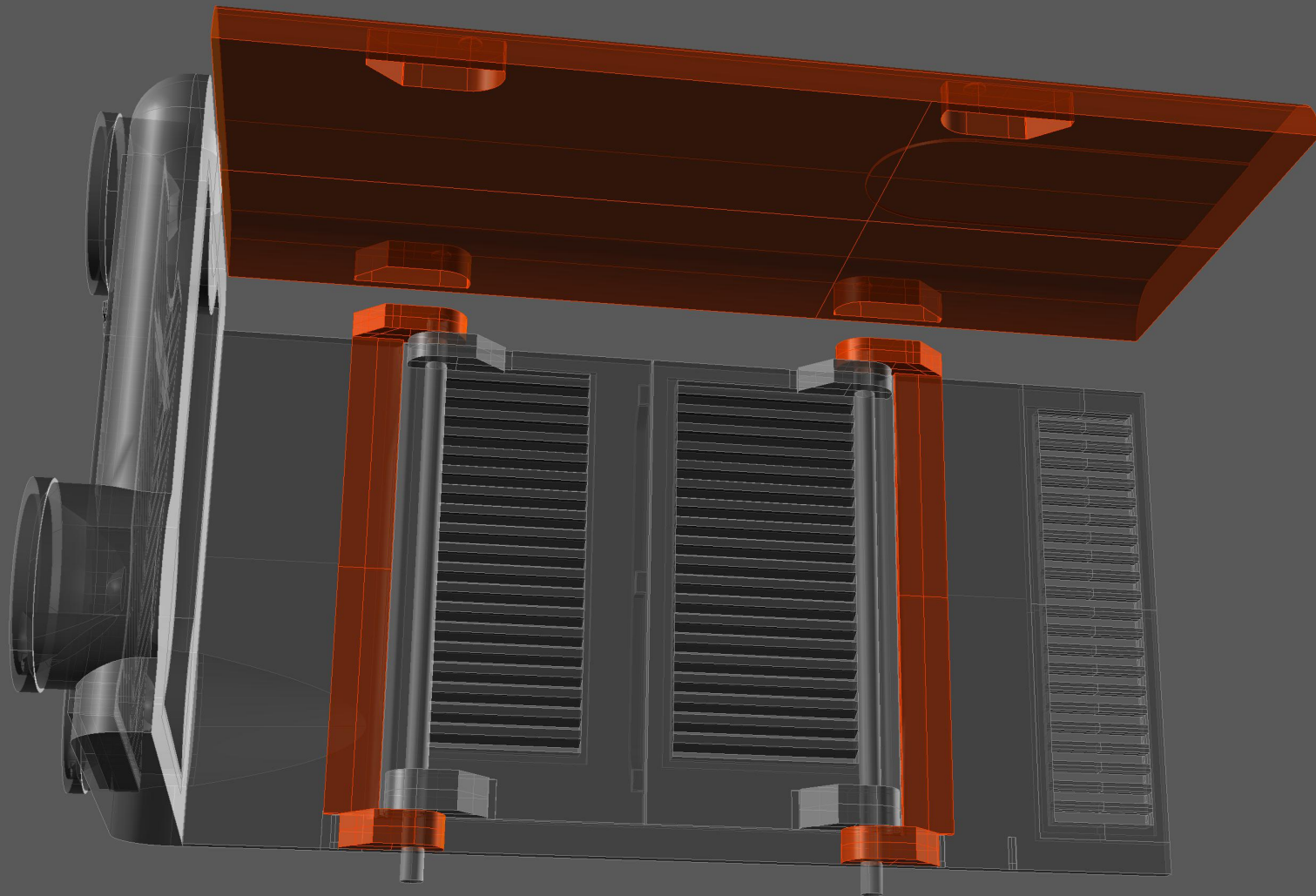


3D PRINTABLE
MODEL

DIESEL-02

03.2015

EUROREPRAP.EU



3D PRINTABLE MODEL

DIESEL-02

03.2015

EUROREPRAP.EU

