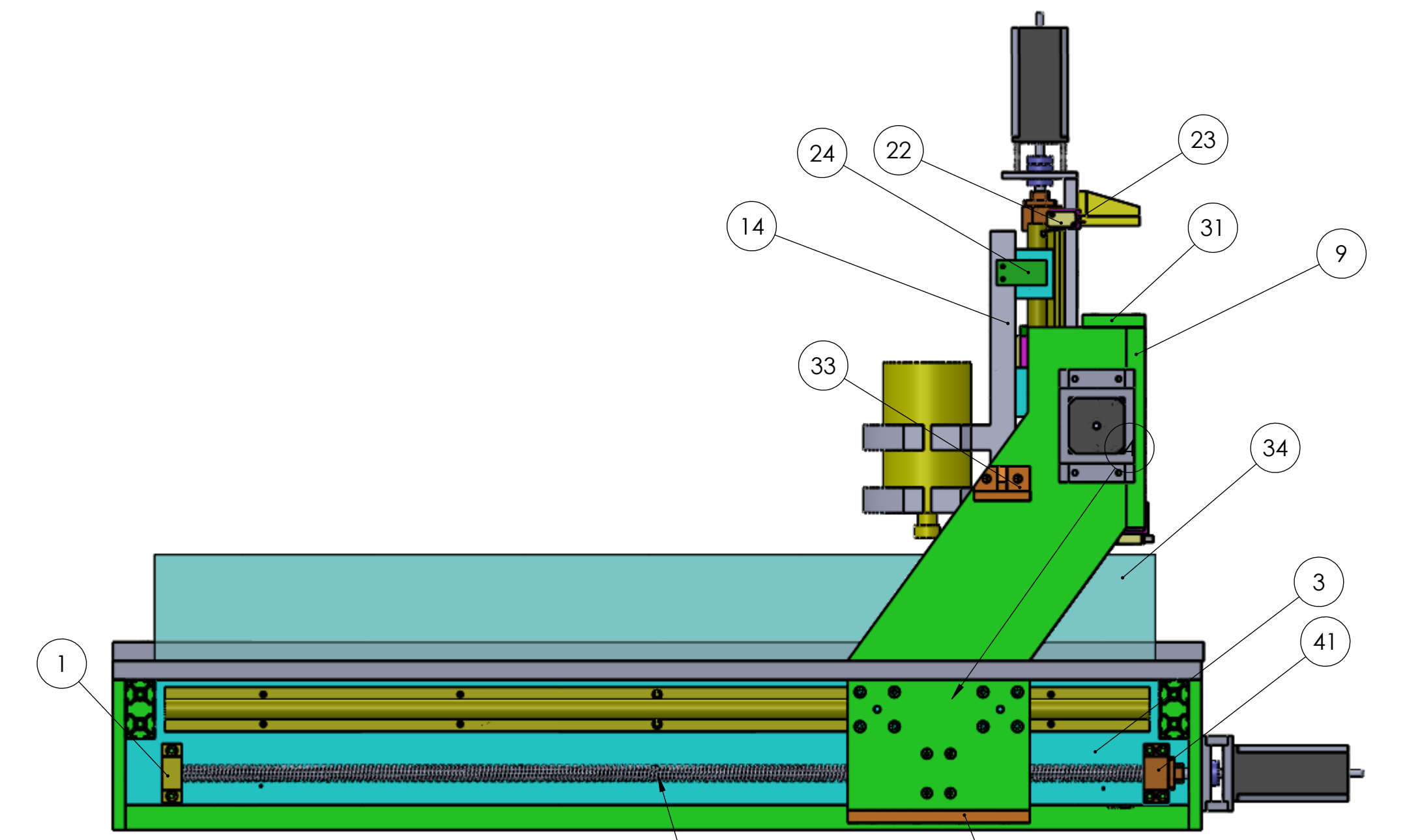
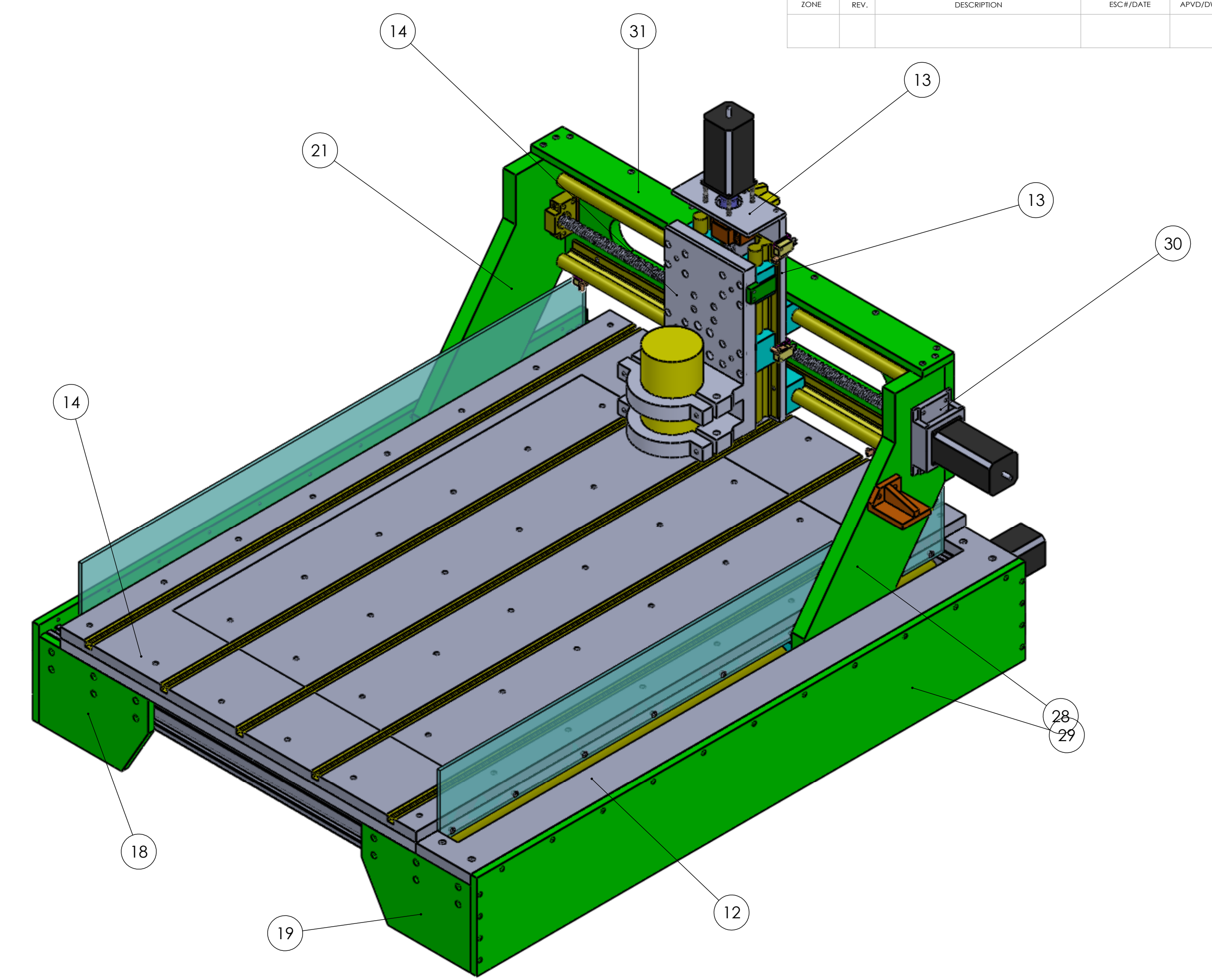
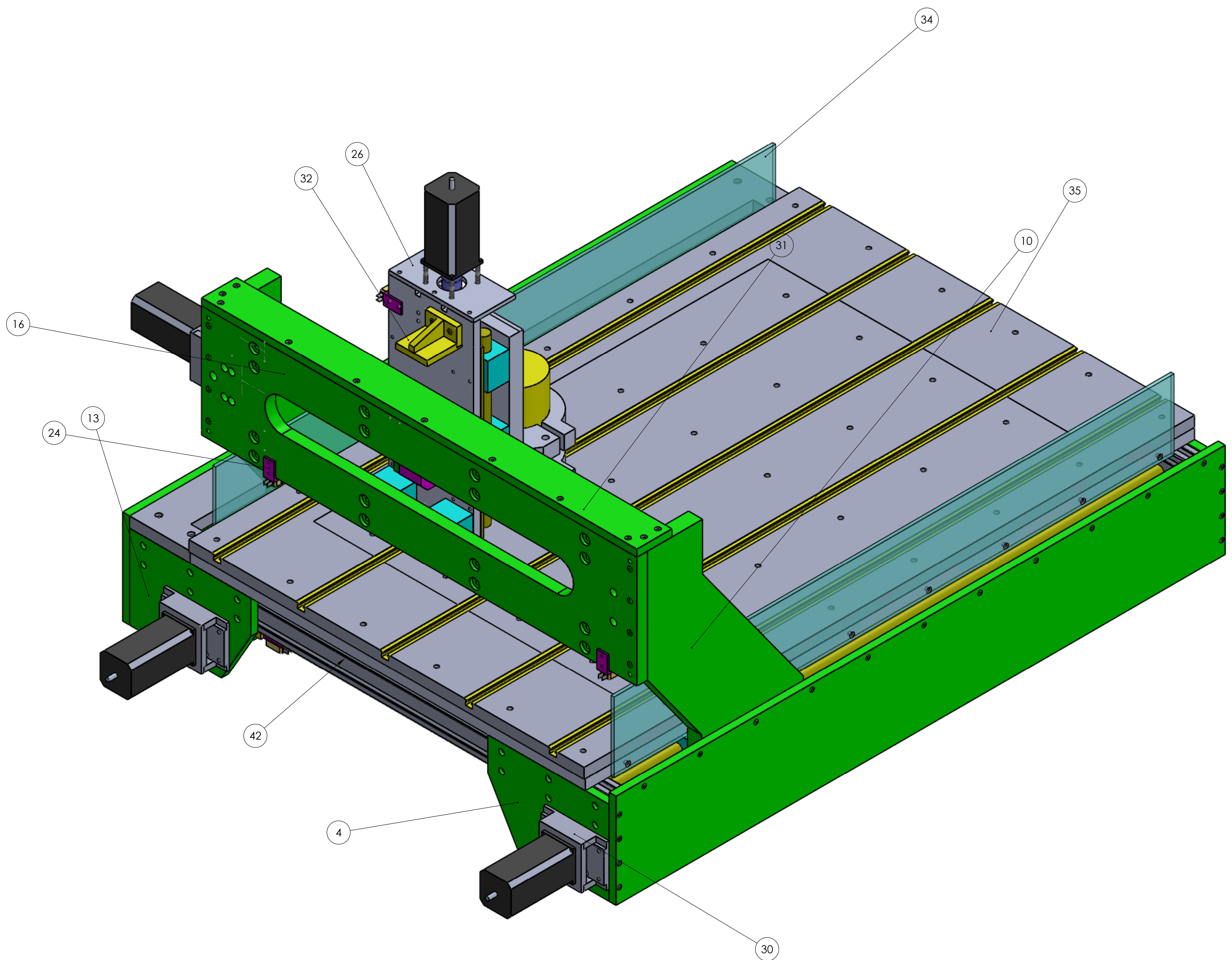


ITEM NO.	PART NUMBER	QTY.
1	BF12 - floated block	2
2	ball screw	2
3	Y screw mounting plate	2
4	SBR20 profile Y azis	2
5	coupling	3
6	SBR20 bearing block	8
7	1605 Ball nut	2
8	X axis lead screw assembly	1
	ball screw-750mm	1
	1605 Ball nut	1
	BF12 - floated block	1
	BK12 - fixed side block	1
9	gantry back plate - wood	1
10	SBR20 profile X azis	2
14	3060 corner bracket	8
12	cabl tray ledge	1
13	Z-plate assembly	1
	Z-plate	1
	350 ball assembly	1
	RM1605-350mm	1
	1605 Ball nut	1
	BF12 - floated block	1
	BK12 - fixed side block	1
	Z - plate motor mount	1
	SBR20 profile x 300mm	2
	93265A491	4
	coupling	1
	Nema 23 motor - 425 oz-in	1
14	spindle mount assembly	1
	SBR20 bearing block	4
	Spindle mount	1
15	work surface- wood version	1
16	spacer 5mm BF12 floating	1
17	Motor end plate left side	1
18	End plate without motor-left side	1
19	End plate without motor-right side	1
20	Motor end plate right side	1
21	side support motorless side	1
22	limit switch	6
23	switch bracket	6
24	switch flag z	2
25	ball nut housing	4
26	side support bottom tie in	1
27	ball nut spacer 5mm	3
28	side support motor side	1
29	base side plate	2
30	Motor mount - plan b	3
31	X cable tray support	1
32	drag chain support - x axis	1
33	drag chain support - Y axis	1
34	plexiglas side shield	2
35	top with hold down tracks	1
36	spacer - y limit switch	2
37	flag - y axis	1
38	5mm bolt - rail	2
39	Nema 23 motor - 425 oz-in	3
40	spacer 5mm BK12 fixed	1
41	BK12 - fixed side block	2
42	30x60 X axis extrusion 870mm	2
43	30x60 Y axis extrusion 1020mm	2
44	30x60 table support 553.8mm	2
45	router	1



Side panel removed for clarity

DESIGN				
DRAWN				
ENGR				
ENGR				
CHK				
APVD				
APVD				
APVD				
CREATED WITH	SOLIDWORKS			
CONTRACT #				
TITLE	base what if assembly rev c			
SIZE	D	ITEM NO		
CODE		WT	SCALE 1:10	SH 1 OF 4

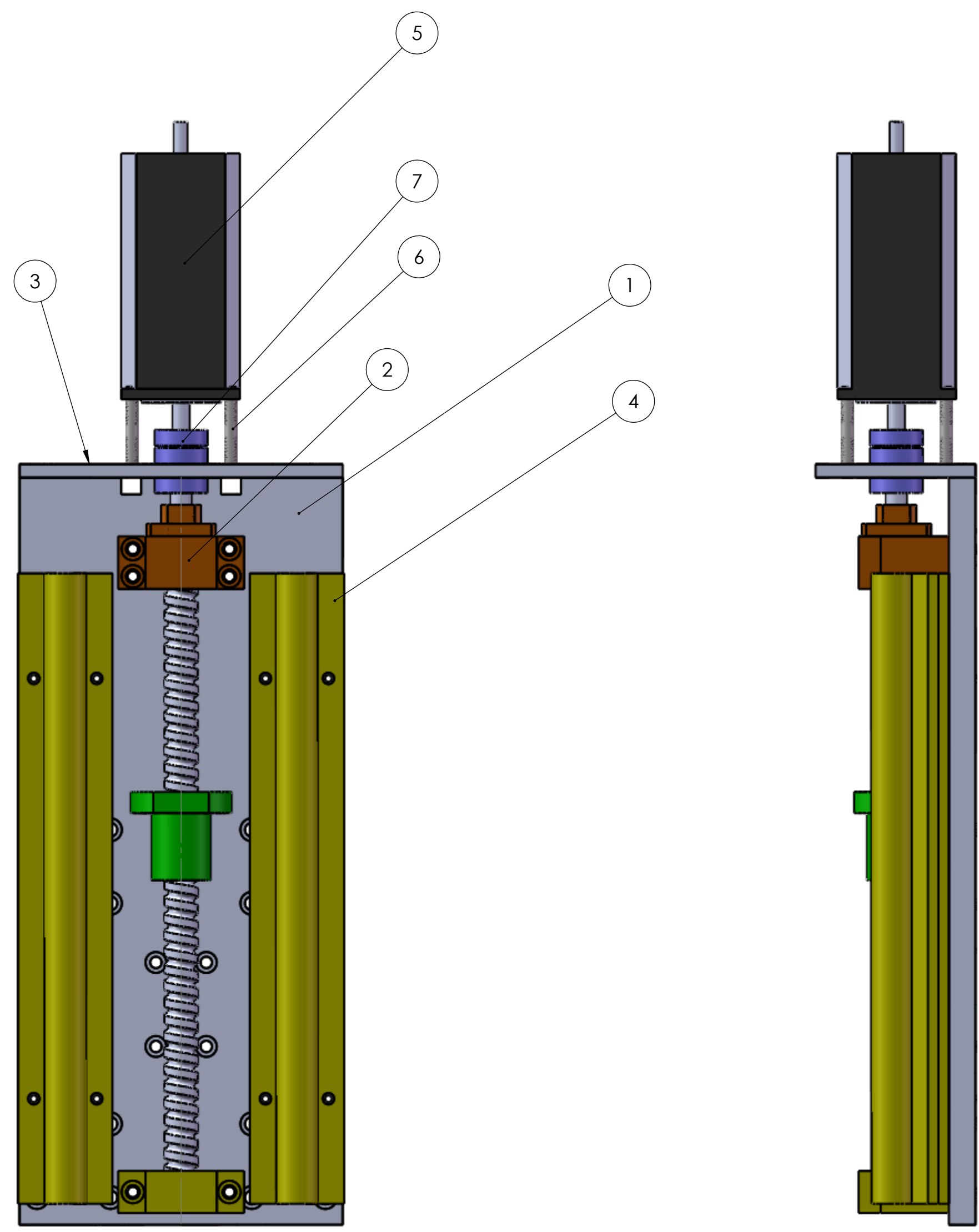


ITEM NO.	PART NUMBER	DESCRIPTION	QTY.
1	BF12 - floated block		2
2	ball screw		2
3	Y screw mounting plate		2
4	Motor end plate left side		1
5	SBR20 profile Y axis		2
6	coupling		3
7	SBR20 bearing block		8
8	1605 Ball nut		2
9	End plate without motor-left side		1
10	side support motorless side		1
11	side support bottom tie in		1
12	End plate without motor-right side		1
13	Motor end plate right side		1
14	side support motor side		1
15	X axis lead screw assembly		1
	ball screw-750mm		1
	1605 Ball nut		1
	BF12 - floated block		1
	BK12 - fixed side block		1
16	gantry back plate - wood		1
17	SBR20 profile X axis		2
18	3060 corner bracket		8
19	work surface- wood version		1
20	cable tray ledge		1
21	base side plate		2
22	spacer 5mm BF12 floating		1
23	limit switch		6
24	switch bracket		6
25	switch flag z		2
26	Z-plate assembly		1
	Z-plate		1
	350 ball assembly		1
	RM1605-350mm		1
	1605 Ball nut		1
	BF12 - floated block		1
	BK12 - fixed side block		1
	Z - plate motor mount		1
	SBR20 profile x 300mm		2
	93265A491	McMaster Carr standoff	4
	coupling		1
	Nema 23 motor - 425 oz-in		1
27	spindle mount assembly		1
	Spindle mount		1
	SBR20 bearing block		4
28	ball nut housing		4
29	ball nut spacer 5mm		3
30	Motor mount - plan b		3
31	X cable tray support		1
32	drag chain support - x axis		1
33	drag chain support - Y axis		1
34	plexiglas side shield		2
35	top with hold down tracks		1
36	spacer - y limit switch		2
37	flag - y axis		1
38	5mm bolt - rail		2
39	Nema 23 motor - 425 oz-in		3
40	spacer 5mm BK12 fixed		1
41	BK12 - fixed side block		2
42	30x60 X axis extrusion 870mm		2
43	30x60 Y axis extrusion 1020mm		2
44	30x60 table support 553.8mm		2
45	router		1

DESR			
DFTG			
ENGR			
ENGR			
CHK			
APVD			
APVD			
APVD			
CREATED WITH	SOLIDWORKS		
CONTRACT #			

TITLE	base what if assembly rev c		
SIZE	D	ITEM NO	
CODE		WT	
SCALE	1:10	SH 2	OF 4

RELEASED FOR PRODUCTION AT REV XX ESC NUMBER 0000-000 00/00/94				
ZONE	REV.	DESCRIPTION	ESC#/DATE	APVD/DWN



ITEM NO.	PART NUMBER	DESCRIPTION	QTY.
1	Z-plate		1
2	350 ball assembly		1
	RM1605-350mm		1
	1605 Ball nut		1
	BK12 - fixed side block		1
	BF12 - floated block		1
3	Z - plate motor mount		1
4	SBR20 profile x 300mm		2
5	Nema 23 motor - 425 oz-in		1
6	93265A491	McMaster Carr standoff	4
7	coupling		1

DESR				
DFTG				
ENGR				
ENGR				
CHK				
APVD				
APVD				
APVD				
CREATED WITH	SOLIDWORKS			
CONTRACT #	CODE	WT	SCALE 1:10	SH 3 OF 4

TITLE
base what if assembly rev c

SIZE D ITEM NO

8

7

6

5

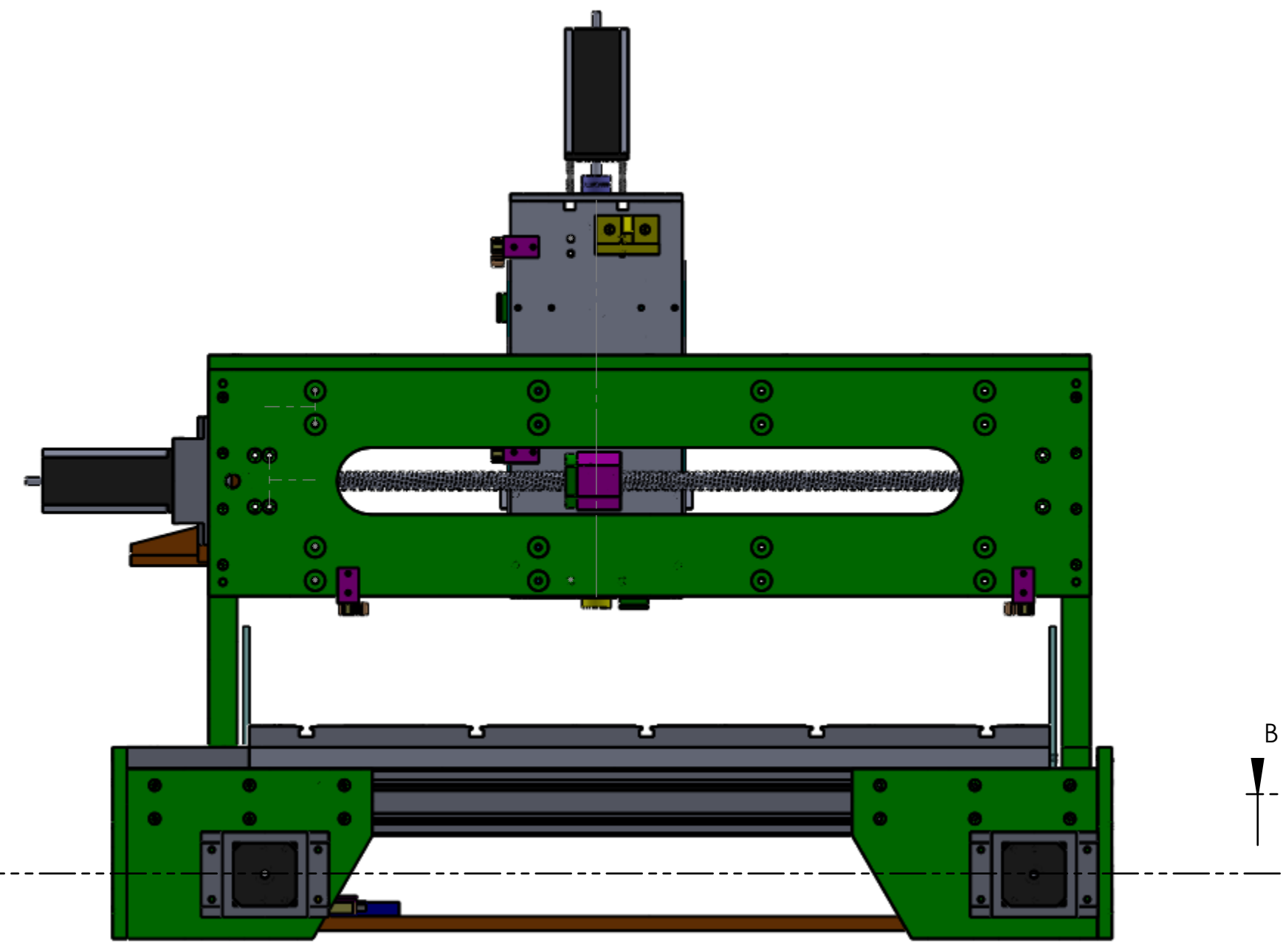
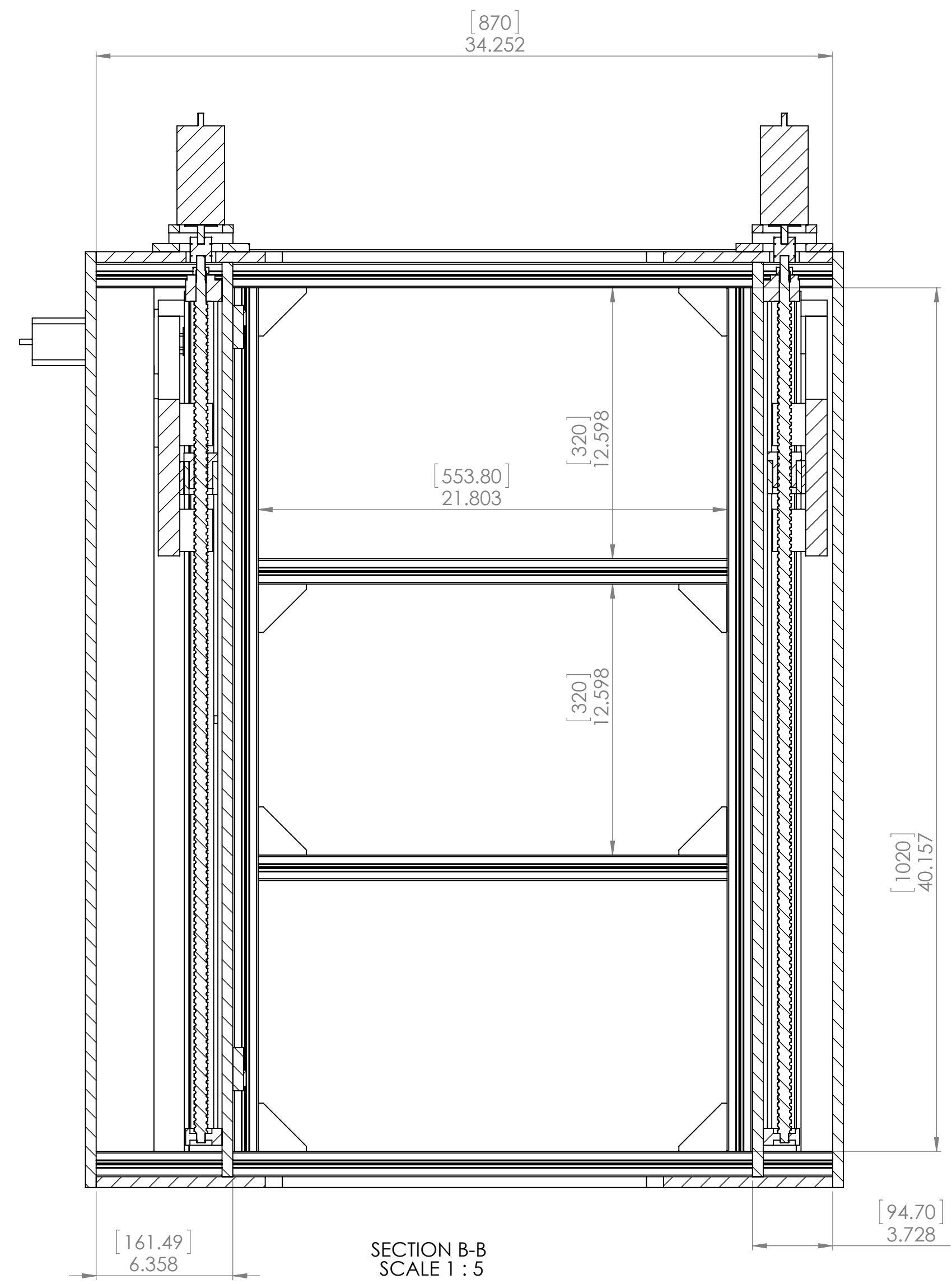
4

3

2

1

RELEASED FOR PRODUCTION AT REV XX ESC NUMBER 0000-000 00/00/94				
ZONE	REV.	DESCRIPTION	ESC#/DATE	APVD/DWN



DESR				
DFTG				
ENGR				
ENGR				
CHK				
APVD				
APVD				
APVD				
CREATED WITH	SOLIDWORKS			
CONTRACT #				
TITLE		base what if assembly rev c		
SIZE	ITEM NO			
D				
CODE	WT	SCALE 1:10	SH 4 OF 4	

8

7

6

5

4

3

2

1