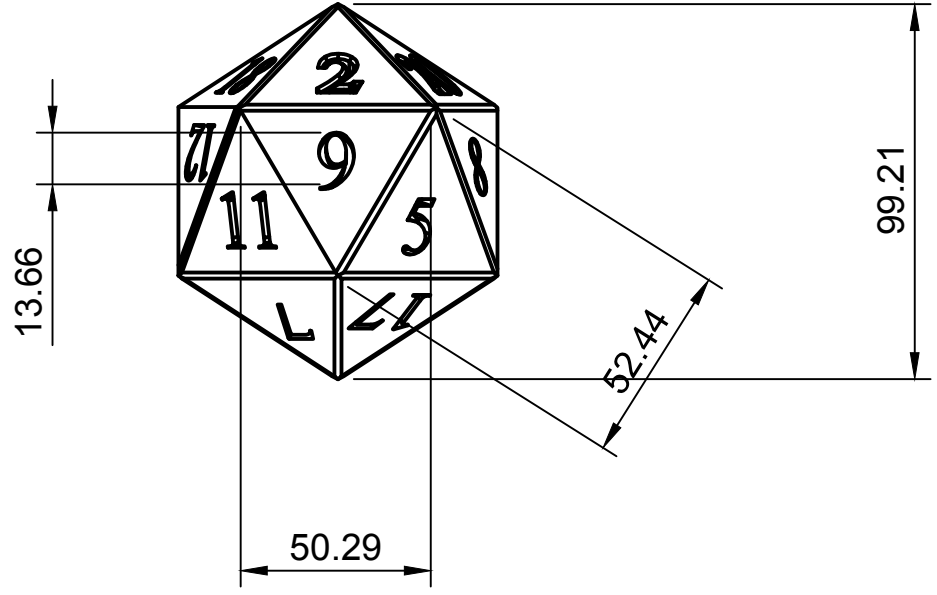


1.15 CHAMFER (TYP)



Dept.	Technical reference	Created by Sean Campbell	3/6/23	Approved by	
		Document type	Document status		
		Title d20 and d12	DWG No.		
		Rev.	Date of issue	Sheet 1/1	