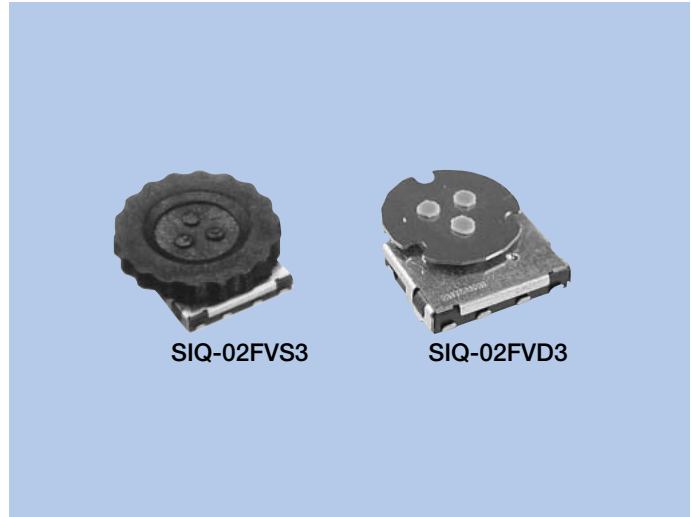


# Slide and Rotary Encoder Switches SIQ Series

## FEATURES

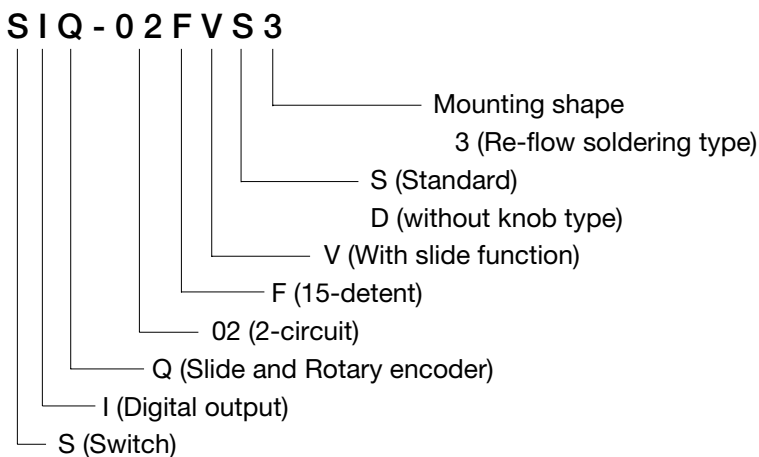
1. Minimized mounting area (11.1x10mm square).
2. 15 detent are available.
3. Multiple input type combined with a rotary encoder and slide switch. For example of using menu selection switch and determination switch.
4. Without-dial type to avoid discoloration of dial in reflow is also available.
5. Suitable for SMT reflow soldering.
6. For without-dial type, you can attach customized dial after reflow.



## APPLICATIONS

1. For PDAs, DSCs, CD-MD players, other portable devices

## MODEL NAME CODE



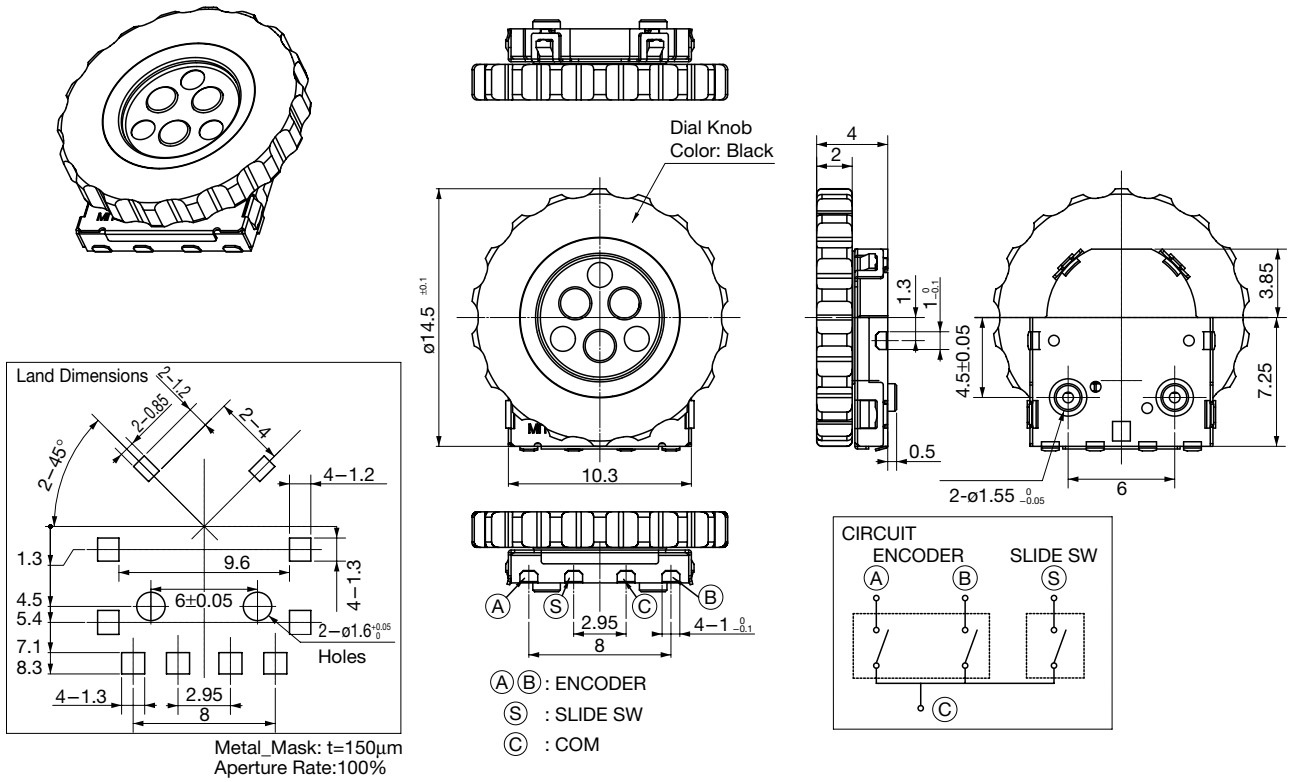
## TYPE

Model Name Code	Order Number	No. of Detent	Rotational Torque	Pcs
SIQ-02FVS3	R66 6557	15	1~10mN · m (10.2~102gf · cm)	500
SIQ-02FVD3	R66 6861	15	1~10mN · m (10.2~102gf · cm)	1000

## SPECIFICATIONS

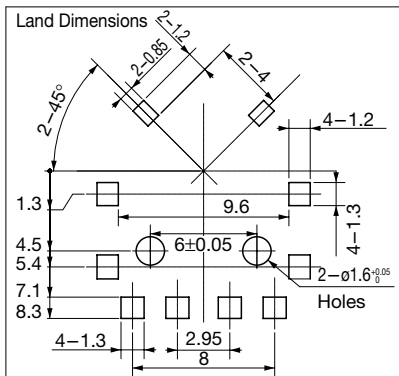
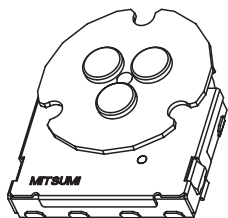
Electrical Characteristics	Rating	10mA, 5V DC
	Contact Resistance	1Ω or less
	Insulation Resistance	10MΩ or more
	Withstand Voltage	1 minute at 50V AC
Mechanical Characteristics	Operating Force	2~6N (Part Slide)
	Rotational Torque	1~10mN · m (Part Rotary encoder)
Life		50,000 cycles (Part Slide)
		50,000 cycles (Part Rotary encoder)

DIMENSIONS

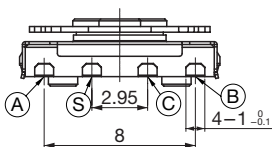
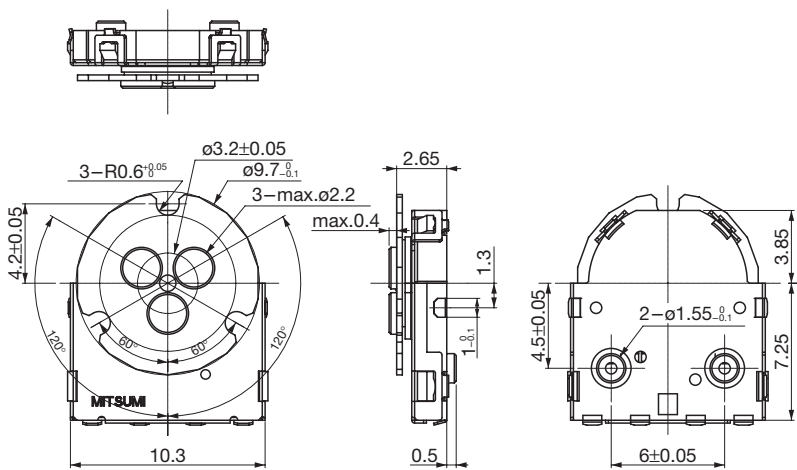


SIQ-02FVS3

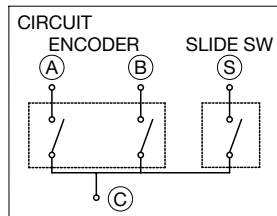
Unit : mm



Metal\_Mask: t=150µm  
Aperture Rate:100%



- Ⓐ Ⓑ : ENCODER
- Ⓒ : SLIDE SW
- Ⓓ : COM



SIQ-02FVD3

Unit : mm