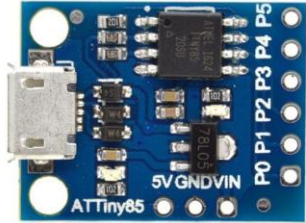
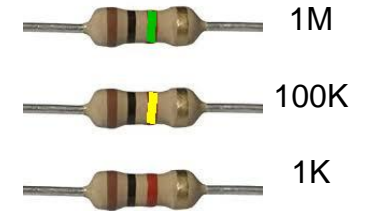


DigiLogiProbe Version 1

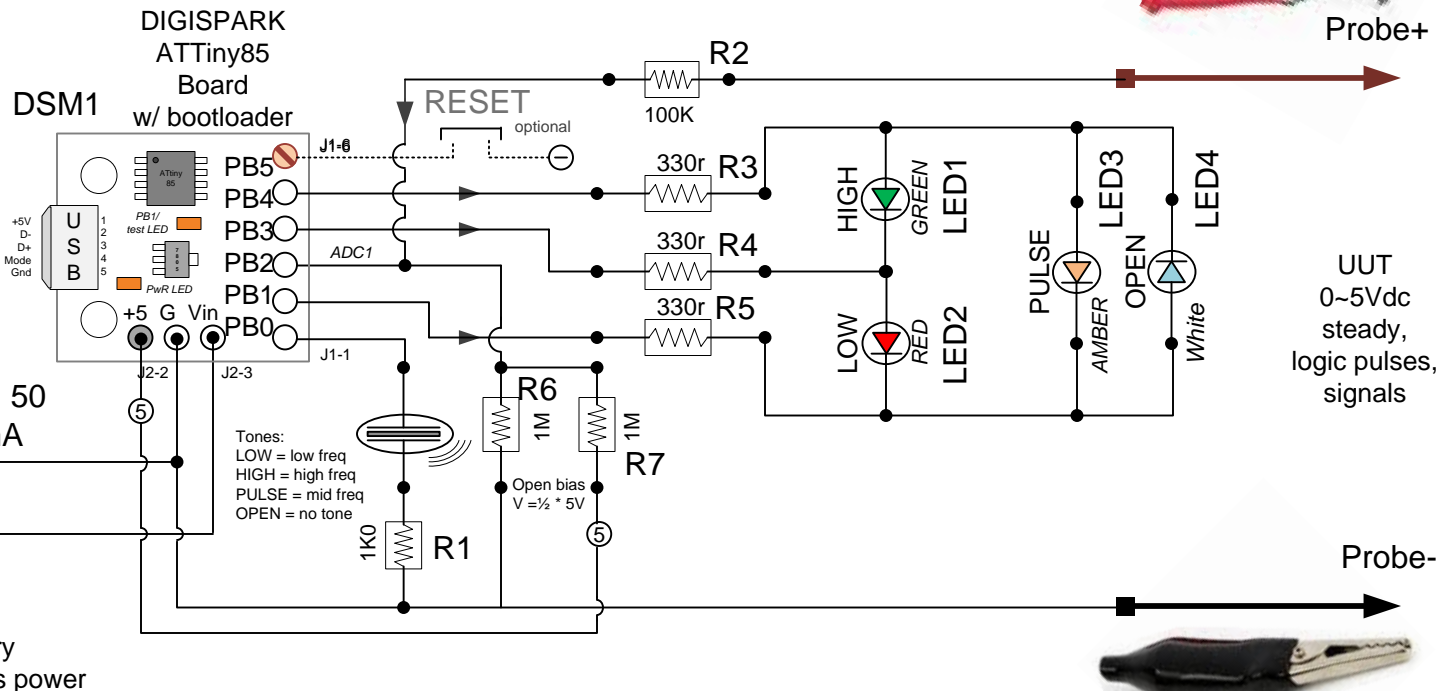
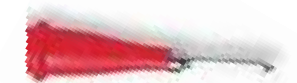


<u>PB4</u>	<u>PB3</u>	<u>PB1</u>
HIGH	LOW	INPUT
INPUT	HIGH	LOW
HIGH	INPUT	LOW
LOW	INPUT	HIGH

<u>LED</u>	<u>function</u>
HIGH	GREEN
LOW	RED
PULSE	YELLOW
OPEN	WHITE



PB2 = ANALOG INPUT 0...5v = 0...1023 VALUE
 PB0 = TONE; ~1200 ...3000 Hz, 200mS
 PB5 = RESET TO GND, RESERVED



DSM1

+5V U
D- S
D+ B
Mode 1
Gnd 2
4
5

+5 G Vin

J2-2 J2-3

J1-6

ADC1

PB5

PB4

PB3

PB2

PB1

PB0

Tones:
 LOW = low freq
 HIGH = high freq
 PULSE = mid freq
 OPEN = no tone

Open bias
 $V = \frac{1}{2} * 5V$

Tested Jan 4, 2019

* some items marked with asterisks are values "to be determined by experiments with prototyping and testing".

SCALE	DRAWN by	Revised by
never	The RadMan	JwR
TITLE	DATE DRAWN	REVISED
DigiLogiProbe V1	1 JAN 2019	03 JAN 2019